

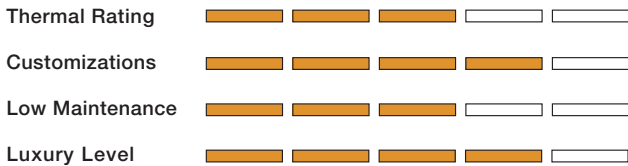
Therma Style 5500



VALUE

Door: Ltd Lifetime
 Hardware: 5 yr
 Springs: 3 yr

- **R-10.4** Thermal Rating
- Steel Construction
- 2" Polystyrene
- White (Field Paint Option)
- 66 Panel + Window Designs



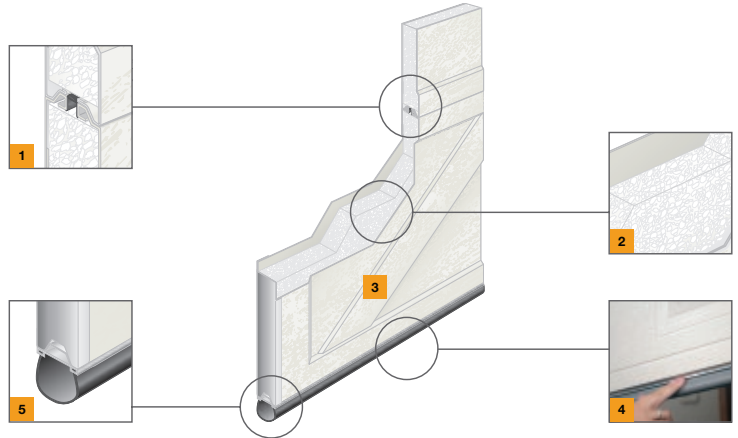
Section Detail

SECTION DETAIL Therma Style panels are produced in woodgrain textured heavy-duty steel exterior skin. All doors are customizable with 66 panel and window combinations and include clear annealed glass.



ELEGANCE, DURABILITY & EFFICIENCY

With the timelessness of a traditional carriage style door and the durability of steel, the Therma Style 5500 is a great value when shopping for a custom garage door on a budget. Available in 66 panel and window combinations, this is a unique door that will showcase your personal style.



Tongue & Groove Section Joints **1**

Precisely designed thermally broken section joints reduce air infiltration and create weathertight seal.

Sandwich Construction **2**

3-layer steel front and back construction with insulating polystyrene core increases energy savings and smooth operation.

Panel Embossment **3**

Easy to clean woodgrain texture, galvanized and finish painted steel provide years of trouble-free performance and beauty.

Aluminum Retainer **4**

Hörmann minimizes floor corrosion by utilizing an aluminum bottom seal retainer that never rusts and is more durable than brittle plastic retainers.

Bottom Weather Seal **5**

Keeps out wind, rain, debris and other elements for added energy savings for your peace of mind.

GLASS OPTIONS

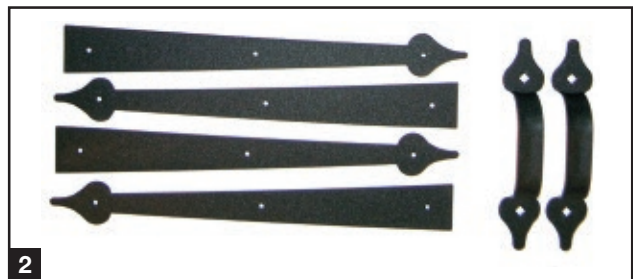


- 1 Clear
- 2 Bronze
- 3 White Laminated
- 4 Black Laminated
- 5 Satin Etch
- 6 Gluechip
- 7 Privacy
- 8 Mistlite
- 9 Obscure
- 10 Grey

*Glass Options are available in both uninsulated or insulated variants
 **Laminate glass options not available in insulated variant

DECORATIVE HARDWARE OPTIONS

- 1 Deco Kit B - Malleable Iron
- 2 Deco Kit C - Stamped Steel



USA
 Toll Free: 800.365.3667
 Email: info@hormann.us
 Website: hormann.us

Canada
 Toll Free: 866.792.9968
 Email: info@hormann.ca
 Website: hormann.ca

Mexico
 Toll Free: 52 (81) 8308 7481
 Email: info@hormann.com.mx
 Website: hormann.mx



AVAILABLE FROM:



Follow us on social media

