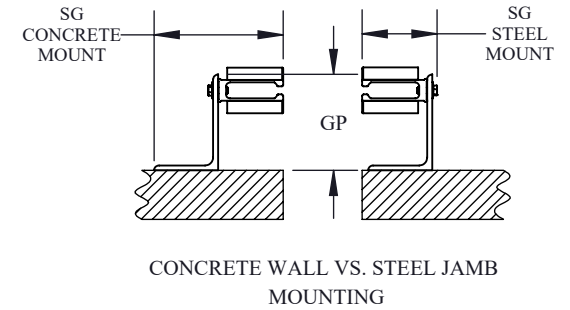


| DOOR DIMENSIONS | | |
|--------------------------|---------------------------------|----------|
| OW | OPENING WIDTH | |
| OH | OPENING HEIGHT | |
| SL | SIDEROOM LEFT | 7" |
| SR | SIDEROOM RIGHT | 8" |
| SO | SIDEROOM OPERATOR | 8" |
| SG | SIDEROOM GUIDE (CONCRETE/STEEL) | 8 / 4.5" |
| H | HEADROOM | 19" |
| HO | HEADROOM OPERATOR | n/a |
| P | PROJECTION HEADER | 15" |
| PO | PROJECTION OPERATOR | 15" |
| GP | GUIDE PROJECTION | 4" |
| PP | PROJECTION PHOTOCELL | n/a |
| W1xH1xD1 | CONTROL PANEL | n/a |
| W2xH2xD2 | TRANSFORMER | n/a |
| OPTIONAL HOOD DIMENSIONS | | |
| SLH | SIDEROOM LEFT HOOD | 10" |
| SRH | SIDEROOM RIGHT HOOD | 10" |
| HH | HEADROOM HOOD | 22" |
| PH | PROJECTION HOOD | 15" |



Interior Mount On External Wall
RIGHT HAND DOOR SHOWN

| |
|----------------------------|
| HORMANN |
| DRAWING NUMBER: D-600-0173 |
| DOOR MODEL: HDD |
| END USER: |
| DEALER: |
| DOOR SIZE: |
| DW REFERENCE: |
| SERIAL #: |