

EN


## Mechanical Installation Instructions for Door Options

HD SERIES Rubber Doors - all models

**Contents**

**A Symbols ..... 4**  
**B Abbreviations ..... 4**

**1 About These Instructions..... 2**  
 1.1 Further applicable documents..... 2  
 1.2 Warnings used..... 2

**2  Safety Instructions..... 4**  
 2.1 Intended use..... 4  
 2.2 Qualification of personnel..... 4  
 2.3 Standards and regulations ..... 4  
 2.4 Safety warning and instructions ..... 4  
 2.5 Safety instructions for maintenance and troubleshooting ..... 4

**3 Installation..... 4**  
 3.1 Step Description for the illustrated section ..... 4

**4 Putting into Service ..... 6**

**5 Operation..... 6**  
 5.1 Instructed personnel..... 6  
 5.2 Normal wear ..... 6  
 5.3 Emergency-OFF ..... 6

**6 Inspection and Maintenance ..... 6**  
 6.1 Maintenance intervals..... 7  
 6.2 Wearing parts ..... 7

**7 Malfunctions and Troubleshooting ..... 7**

**8 Cleaning and Care ..... 7**

**9 Extension and Conversion ..... 7**

**Illustrated Section ..... 8**



Dear Customer,

We are delighted that you have decided to choose a high-quality product from our company.

**1 About These Instructions**

These instructions are divided into a text section and an illustrated section. The illustrated section can be found after the text section.

The information contained within this manual will allow you to install your Hörmann Door to maximize its life and give you years of trouble free operation.

Do not install or operate this product until you have read and understand the contents of this manual and the electrical wiring diagram.

These instructions are **original instructions** as outlined in the EC Directive 2006/42/EC. Read through all of the instructions carefully: they contain important information about the product. Pay attention to and follow the instructions provided, particularly the safety instructions and warnings.

Please keep these instructions in a safe place and make sure that they are available to all users at all times.





Proper operation and competent maintenance influence the performance and longevity of your HD SERIES door. Operating errors and inadequate maintenance lead to avoidable failures. Only competent operation and proper maintenance will guarantee satisfactory, long-term operational safety.

If you have any questions about this manual or how to install, maintain, or use the product, contact Hörmann. Refer to the serial number when contacting Hörmann. The serial number can be found on the electric operator, control panel, and drive side mounting angle.

**1.1 Further applicable documents**

Depending on the ordered accessories, the delivery includes further instructions, e.g. instructions on how to control the door. Also read these instructions carefully and thoroughly. Pay attention to and follow the instructions provided herein, particularly the safety instructions and warnings.

**1.2 Warnings used**



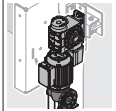
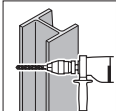
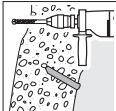
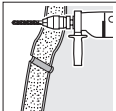

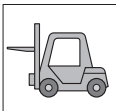


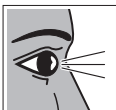


	The general warning symbol indicates a danger that can lead to <b>injury</b> or <b>death</b> . In the text, the general warning symbol will be used in connection with the caution levels described below. In the illustrated Section, an additional instruction refers back to the explanation in the text.
 <b>DANGER</b>	Indicates a danger that leads directly to death or serious injuries.
 <b>WARNING</b>	Indicates a danger that can lead to death or serious injuries.
 <b>CAUTION</b>	Indicates a danger that can lead to minor or moderate injuries.





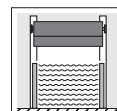


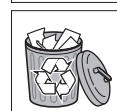
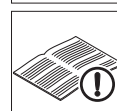
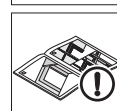

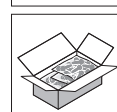
Dissemination as well as duplication of this document and the use and communication of its content are prohibited unless explicitly permitted. Noncompliance will result in damage compensation obligations. All rights reserved in the event of patent, utility model or design model registration.

**ATTENTION**

Indicates a danger that can lead to damage or destruction of the product.

**A Symbols**

-  Important step to verify proper installation
-  Warning - dangerous electrical voltage
-  Operator side
-  Drilling through steel
-  Drilling into concrete
-  Drilling through wall panel
-  Weld
-  Use suitable lifting devices (e.g. forklift, crane)
-  Remove residues
-  Audible engagement
-  Check
-  Trap risk
-  Warning - impact hazard

-  Warning - pinch hazard
-  Torque specification as per fastener manufacturer's instruction
-  Warning potential safety hazard
-  Grease
-  For all doors with Light Curtains
-  Correct positioning or action
-  Incorrect positioning or action
-  Remove and dispose of structural component or packaging
-  See text section
-  See illustrated section
-  See separate manual: Electrical Diagrams and Operation Manual
-  Required Hardware Kit - reference Step # printed on bag

**B Abbreviations**

- F** Floor to level line
- H** Height
- W** Width
- X** Inside to inside dimension

<b>Colour code for cables, single conductors</b>			
The abbreviations of the colours for identifying the cables, conductors and components comply with the international colour code according to IEC 60757:			
<b>GN</b>	Green		

## 2 Safety Instructions

When used properly and for the intended purpose, HD SERIES doors are reliable and safe to operate. Nevertheless, when used incorrectly or for purposes other than those intended, they can pose a risk. We therefore expressly draw your attention to the safety instructions contained in the individual chapters.

### 2.1 Intended use

HD SERIES doors are used to close door openings, to save energy costs, to improve the room air conditions and to accelerate the flow of materials.

Intended use also includes paying attention to these instructions and observing inspection and maintenance conditions.

Failure to follow the procedures contained within this manual may result in injury or death, damage to property or the product. Any deviations to the procedures or alterations to the product that are not authorized by Hörmann will automatically void the warranty and may cause injury or even death.

Any other or further use is regarded as non-intended use. The manufacturer /supplier is not liable for any damage resulting from this. The risk is borne solely by the user.

### 2.2 Qualification of personnel

Only qualified and instructed personnel may install, operate and maintain the HD SERIES door.

Two qualified installers (Technician training is available from Hörmann)

Qualified welder

Qualified electrician

Before commencing work the assigned personnel must read these instructions, particularly chapter 2.

For safety reasons, specify distinct responsibilities for operation, maintenance and repairs to ensure that there are no unclear assignments.

### 2.3 Standards and regulations

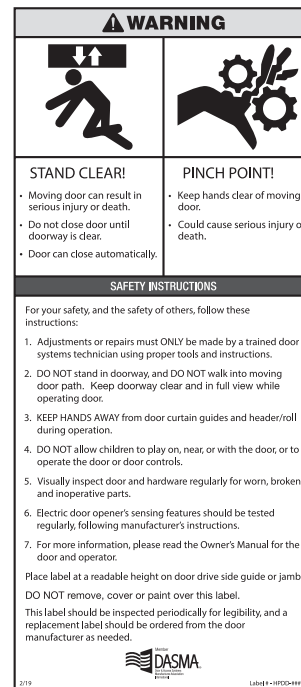
All electrical work must meet local, provincial, state and federal codes.

Fabricators and erectors responsible for welding structures fabricated or erected under CSA-S16 (the Design Standard for structural steel in Canada) shall be certified by the Canadian Welding Bureau to the requirements of CSA Standard W47.1 (Division 1 or Division 2) or W55.3, or both, as applicable.

Part of the work may be sublet to a Division 3 fabricator or erector; However, a Division 1 or Division 2 fabricator or erector shall retain responsibility for the sublet work. These Standards are valid in Canada only thus the local equivalents must be applied outside of Canada. (the U.S.A equivalent specification is called AWS D1.1/D1.1M and erector or fabricator should be AWS certified welding fabricator certified under AWS QC17 or AWS B5.17)

## 2.4 Safety warning and instructions

- It is recommended that these 2 warning labels are placed in a visible location on or near door by the installer, to warn pedestrians about the safe use of this door.



## 2.5 Safety instructions for maintenance and troubleshooting

- Perform inspection and maintenance work as described in chapter 6. Comply with the maintenance intervals and note the information on the replacement of parts and sub-assemblies.
- Maintenance and troubleshooting may only be carried out by qualified personnel.
- Only use spare parts that comply with the technical requirements specified by the manufacturer. This is always guaranteed when original spare parts are used.
- Only carry out welding, cutting or grinding work on the HD SERIES door if this work has been expressly approved. There may be a risk of fire and/or explosion. Prior to welding, cutting or grinding, remove dust and combustible materials from the industrial door and its surroundings and ensure that there is adequate ventilation (to reduce risk of explosion).
- Before disassembling the operator ensure the curtain is rolled tight to the drive barrel and tied off to prevent the curtain from free falling.

## 3 Installation

### 3.1 Step Description for the illustrated section

Step	Description
4c	Hood Bracket, Sloped - HD-CD 3025, HD-SD 3050, HD-SD 3020
4d	Hood Bracket, Flat - HD-CD 3025, HD-SD 3050, HD-SD 3020

Step	Description
12	Inertia Brake
13	Guide Mount Windbar
14	Jamb Mount Windbar
15c	Control Box - TNR
16a	Plug and Play - HD-CD 3025, HD-SD 3050, HD-SD 3020
18a	Hood Brackets & Flat Hoods - HD-DD 3065
18b	Hood Brackets & Flat Hoods - HD-HD 2565
18c	Sloped Hoods - HD-CD 3025, HD-SD 3050, HD-SD 3020
18d	Flat Hoods - HD-CD 3025, HD-SD 3050, HD-SD 3020
19	Guide Guards
20a	Safety Edge Kit - Air Wave with Coil Cord
20b	Safety Edge Kit - Air Wave Wireless
20c	Safety Edge Kit - 2-Wire with Coil Cord
20d	Safety Edge Kit - 2-Wire Wireless
20e	Safety Edge Kit - 2-Wire Wireless - Monitored
21	Impact Sensor
22	Photoeyes
23	GFA Operator Heater
24	Mechanical Limits - Direct Drive

**DANGER**

**Primary power supplies**

Contact with the primary power supplies presents the danger of a deadly electric shock. For that reason, observe the following warnings under all circumstances:

- ▶ Only qualified electricians may perform work on the primary power supplies.
- ▶ Ensure that the on-site electrical installation complies with the applicable safety requirements.
- ▶ Ensure that the national regulations governing the operation of electrical equipment are complied with.
- ▶ Install the control box for the HD SERIES door operator within sight of the door.
- ▶ Before undertaking any electrical work, disconnect the system from the primary power supplies and ensure that it cannot be inadvertently turned on.
- ▶ Ensure that all electrical power sources have been locked out and tagged out according to OSHA regulations and local electrical codes. Test the equipment to ensure it can't start moving and that the electrical power is disconnected prior to commencing work.
- ▶ Ensure that any local disconnects, fuses, or breakers are sized correctly for the product.

**ATTENTION**

**External voltage**

External voltage on the connecting terminals of the control will destroy the electronics.

- ▶ Do not apply any external voltage (e.g. primary power supplies) to the connecting terminals of the control unit.

**ATTENTION**

**Pull forces on electric cables**

Pull forces on electric cables will destroy the electronics.

- ▶ Never pull on the connecting leads of the electrical components.

**NOTE:**

All mounting fasteners to be sourced and supplied by installer. Refer to fastener instructions for torque specifications.

**To install the door:**

1. Limit access to the work site to authorized personnel only.
2. Check the on-site conditions for the door installation (check measurements).
3. Check the quality of the structure for its strength.
4. Choose appropriate fasteners.
5. The mounting surface must be free of obstructions. If the mounting surface is uneven use shims as necessary to ensure the door mounting hardware is installed plumb and in contact to the mounting surface.
6. Unpack the door and check for damage.
7. Verify the contents of the shipment with the packing slip to ensure that there are no missing parts.
8. If there is anything missing contact Hörmann immediately to allow prompt delivery of the missing parts and minimize any delays in the installation of the product.
9. Dispose of the packaging material.
10. Install the door as shown in the illustrated section.

**NOTE:**

When installing multiple doors at the same time, always ensure that all of the parts correspond to the correct serial number for each specific door.

Use the shop drawing to verify the opening size and assure all clearances are adequate prior to starting with the installation of the door.

Using a water hose, laser or transit level, mark a level line on each door jamb.

Measure the distance from the floor to the level line on each jamb (dimension F). If required, place a shim on the floor by the jamb where dimension F is the greatest. The shim should be the same thickness as the difference between the left and right dimension F.





The capacity of the crane or forklift must be sufficient to hoist the header assembly into place. Minimum height capacity for crane or forklift is dependent on the door model. Contact TNR Industrial Doors for door specific size and weight.

**Inertia Brake**

Verify motor rotation is correct prior to installing the inertia brake.

## 4 Putting into Service





 <b>WARNING</b>	
<b>Faulty door</b> A faulty door may injure persons or damage objects.	
▶ Only put the door into service if it is in perfect condition.	

 <b>WARNING</b>	
  	<b>Door movements</b> Door travel may injure persons or damage objects. <ul style="list-style-type: none"> <li>▶ Make sure that no persons or objects are in the door's closing area during operation.</li> <li>▶ Never use the door to lift objects or persons.</li> <li>▶ Never reach into the guides.</li> </ul>

## 5 Operation

### NOTE:

It is the responsibility of the company that sold the door to the enduser to ensure that the door is set up in such a way to provide adequate protection from accidental impacts / collisions with the door. Below are Hörmann minimum recommendations when setting up a door to be used by sensors and timers to automatically open, close, and reverse the door when an obstruction is present. (see picture 1a, b)

 <b>WARNING</b>	
  	<b>Door movements</b> Door travel may injure persons or damage objects. <ul style="list-style-type: none"> <li>▶ Make sure that no persons or objects are in the door's closing area during operation.</li> <li>▶ Make sure that the door has opened completely before driving in or out! Never drive or walk through doorways unless the door has reached the OPEN end-of-travel position.</li> <li>▶ Whenever driving in or out of the opening, always check that the door curtain has travelled up far enough to provide the necessary passage height.</li> <li>▶ Never use the door to lift objects or persons.</li> <li>▶ Do not reach into the guide or guide area while the door is in operation.</li> </ul>

<b>ATTENTION</b>
<b>Emergency operation devices</b> Too frequent use of the emergency operation devices may damage them. This will also void the warranty for the door. <ul style="list-style-type: none"> <li>▶ Only use the emergency operation devices in the case of a power failure or during repair work.</li> </ul>

<b>ATTENTION</b>
<b>Abrasive / corrosive environments, wind and heat</b> Abrasive / corrosive environments, wind and heat may damage the door. <ul style="list-style-type: none"> <li>▶ Protect the door from abrasive and corrosive materials:                         <ul style="list-style-type: none"> <li>– Salt, stone or concrete</li> <li>– Cement</li> <li>– Plaster</li> <li>– Acids</li> <li>– Alkali</li> <li>– Road salt</li> <li>– Aggressive paints or sealants</li> </ul> </li> <li>▶ Avoid operating temperatures below –40°F (–40°C)</li> </ul>

### 5.1 Instructed personnel

The door may only be operated by persons who have been instructed in its proper use. A person is considered to be instructed, if he / she has received instruction as to how to operate the door safely and has received permission from the owner to use the door system.


### 5.2 Normal wear


The design of the HD SERIES door represents state-of-the-art technology. Pressure marks and abrasive wear are normal and cannot be avoided.



### 5.3 Emergency-OFF

▶ In emergency situations, de-energise the control box by turning the main power disconnect OFF, disconnecting the primary power supplies or, if available, actuating the red **emergency-OFF** button.

## 6 Inspection and Maintenance

 <b>WARNING</b>
<b>Unmaintained doors</b> There is a danger of injury or damage if the door is not regularly maintained. This will also void the warranty. <ul style="list-style-type: none"> <li>▶ Inspect and maintain the door regularly as described in these instructions or entrust this work to the door installer's service department.</li> </ul>

 <b>DANGER</b>
<b>Primary power supplies</b> Contact with the primary power supplies presents the danger of a deadly electric shock. <ul style="list-style-type: none"> <li>▶ Before undertaking any electrical work, disconnect the system from the primary power supplies and ensure that it cannot be inadvertently turned on.</li> </ul>

 <b>WARNING</b>	
	<p><b>Falling parts</b> During installation and dismantling, parts may fall and injure persons or damage property.</p>
	<p><b>Covers and hoods (option)</b> ▶ Secure the covers / hoods (e.g. with a forklift) before dismantling.</p>
	<p><b>Shaft</b> ▶ Secure the shaft (e.g. with a forklift) before dismantling the operator.</p>

Only inspect and maintain the door yourself if you are a qualified specialist. In other words, you have the suitable training, specialist knowledge and practical experience to allow you to carry out inspection and maintenance correctly and safely.

Observe all the applicable regulations governing work safety.

In general, we recommend entrusting maintenance / inspection to the door installer's service department.

The high-speed door is low-maintenance. In normal operating conditions, all the bearings, including the gears, are lubricated for life and are maintenance-free.

**6.1 Maintenance intervals**

In compliance with the local guidelines for power-operated windows, doors and gates testing and maintenance of the door must be carried out once a month, and into the future at the same intervals.

Depending on the size of the door and the annual number of door cycles, we recommend the following maintenance intervals:

**In the case of a higher number of door cycles (> 50,000 per year):**

Servicing of the functional elements every six months:

- Electric operator and brake

Servicing of the following elements every month:

- function of reversing edge
- function of reversing photoeye
- open and close Limit settings
- loose fasteners
- curtain tracking

**In the case of a lower number of door cycles:**

Annual servicing in conjunction with the stipulated test procedures according to local regulations.

- ▶ Check the function of the photoeyes every six months.

**6.2 Wearing parts**

If provided, the indicated maximum assumable cycles or door cycles apply to the following wearing parts:

Wearing parts	Cycles	Period
Operator (60 % ON time)	1,000,000	5 years
Brake	250,000	2 years
Reversing edge transmitter battery	-/-	2 years
Door Seals / Wear strips	-/-	2 years
Curtain	-/-	Limited Lifetime
Photoeyes	-/-	2 years

**7 Malfunctions and Troubleshooting**

In the case of malfunctions, contact the door installer's or manufacturer's service department.

**Operator power**


The operating voltage must be 230 V ± 5 % or 460 V or 600 V ± 5 %. If the voltage deviates greatly from this, there may be problems with the operator power.

**8 Cleaning and Care**

Rubber curtain cleaning instruction - Use RV Rubber Roof Cleaner.

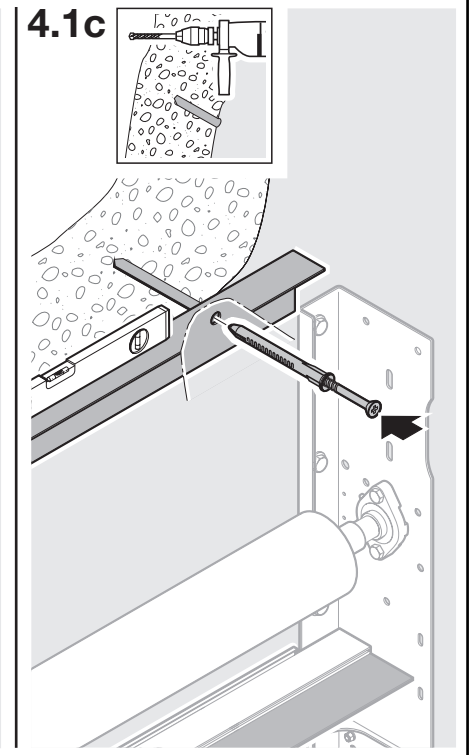
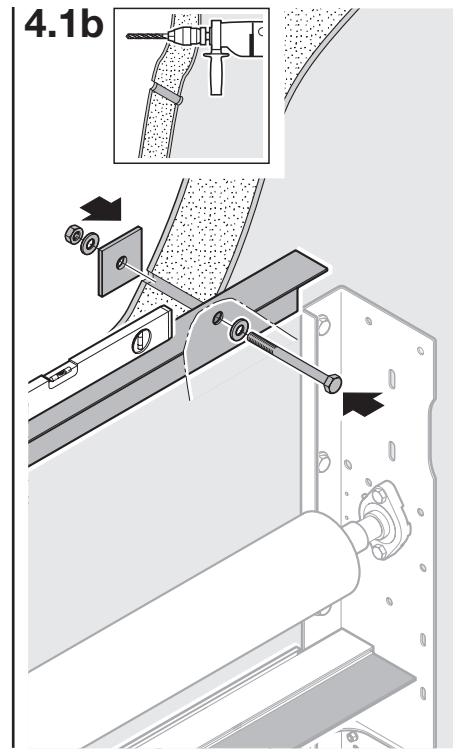
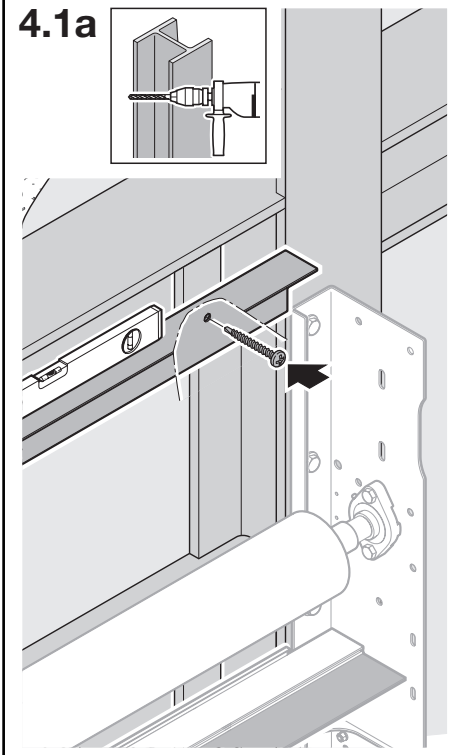
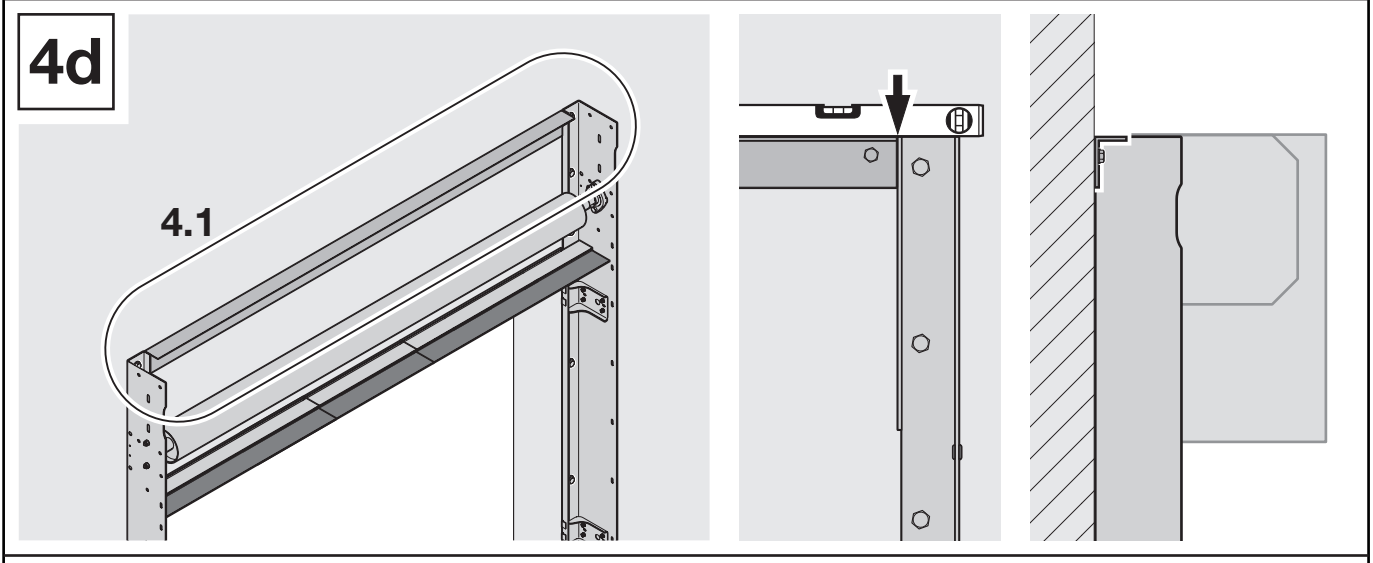
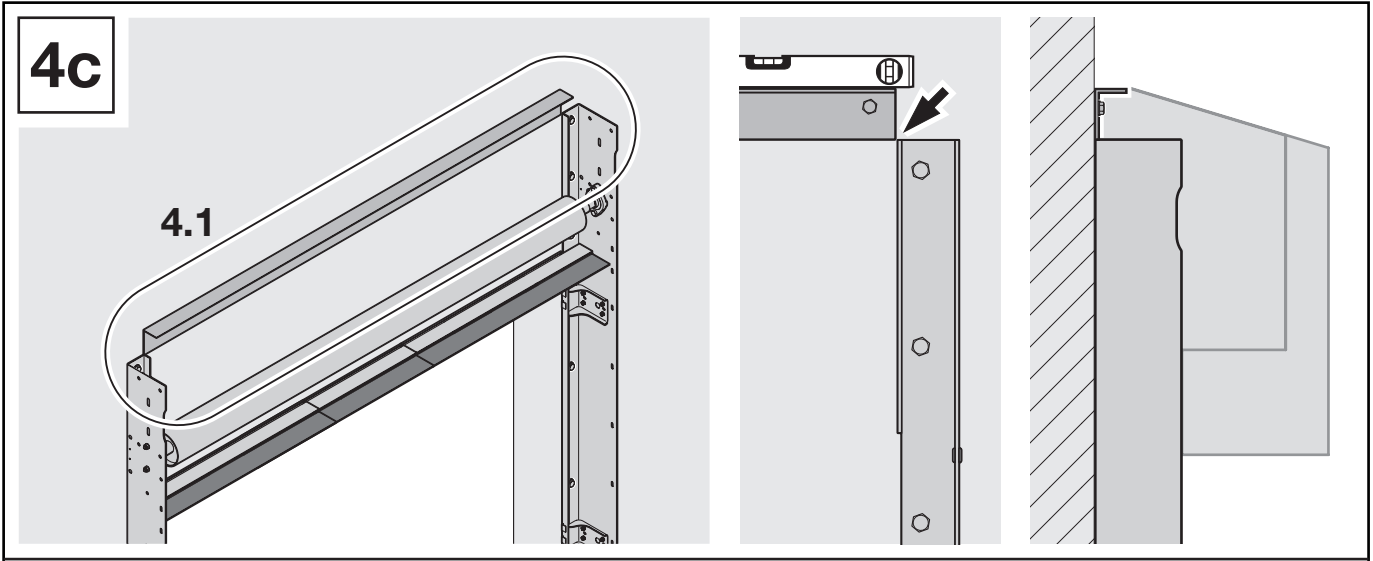
To clean the surface, use only a soft cloth or cleaning sponge. Rinse off any dirt and dust particles with clear water.

**9 Extension and Conversion**

 <b>WARNING</b>	
<b>Unsuitable components</b>	
Unsuitable components could overload the door construction. This could lead to serious injury.	
▶ Only use components approved by the manufacturer.	

Only extend or convert this door system with the manufacturer's permission.

Carrying out any structural alterations to the product without the manufacturer's permission renders the warranty and product liability null and void.

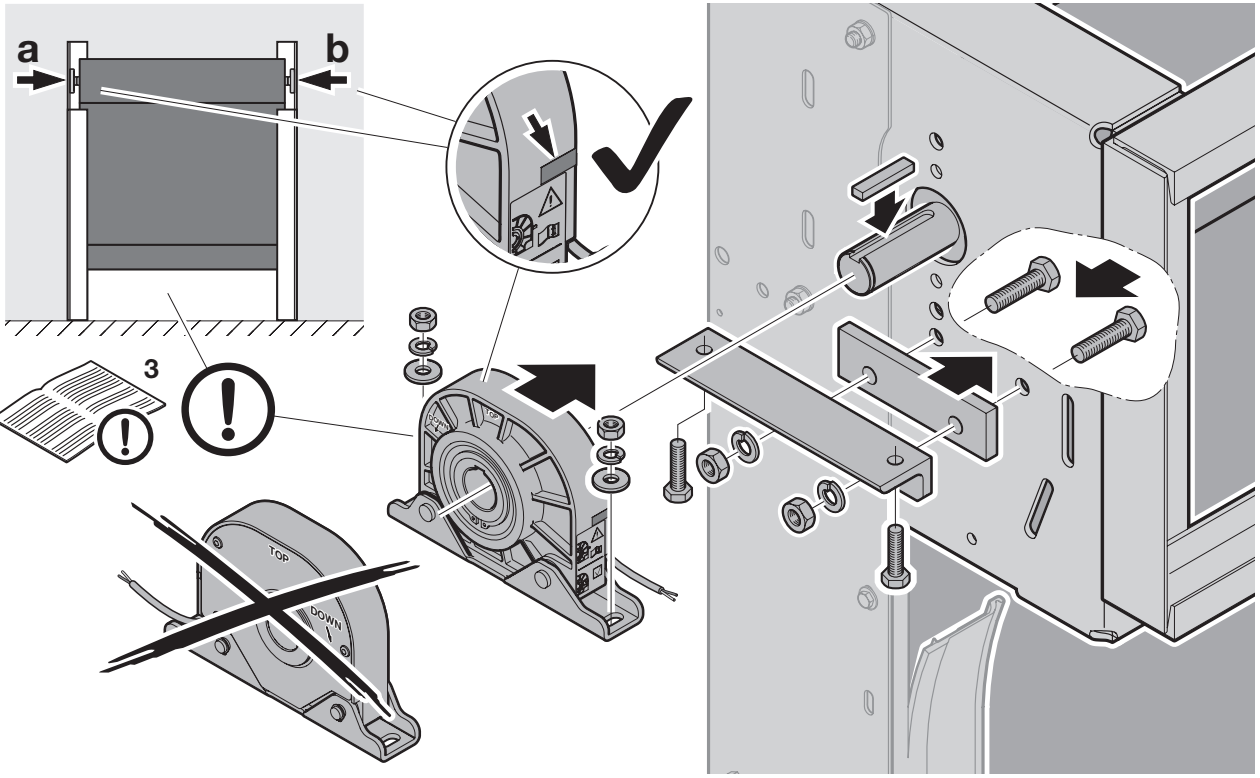




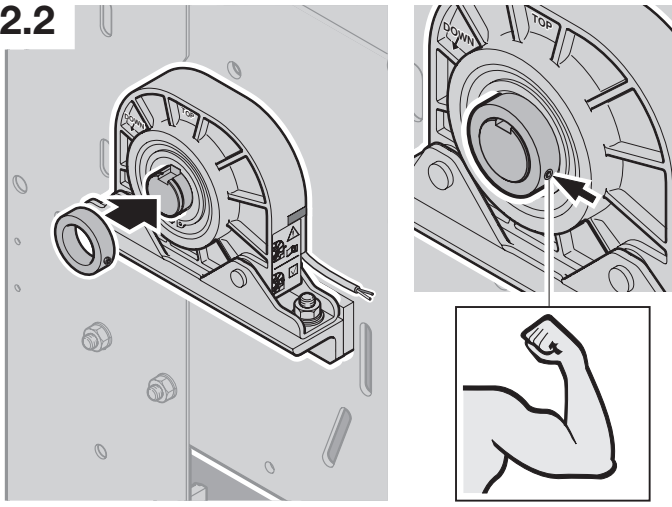
# 12

12.1  
12.2  
12.3

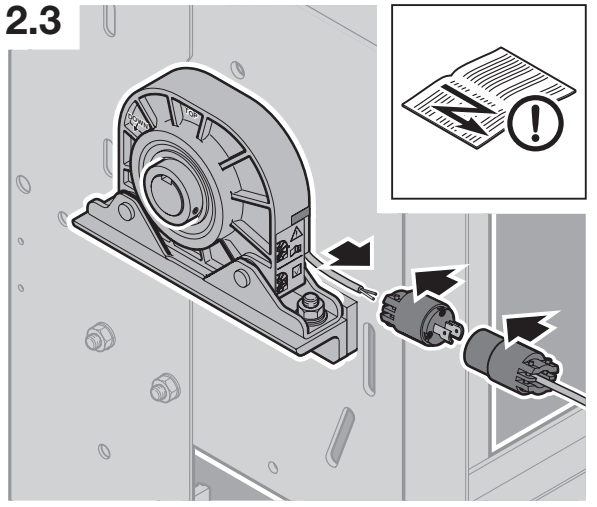
## 12.1



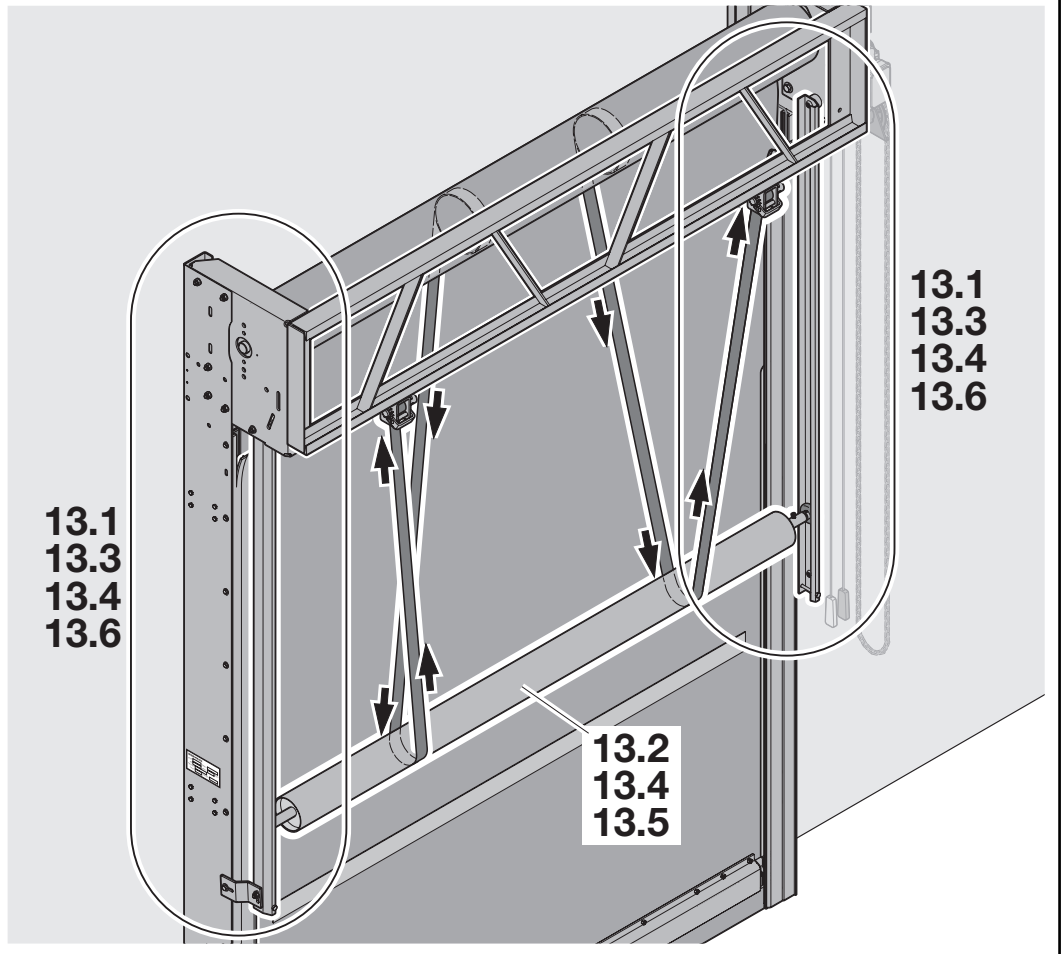
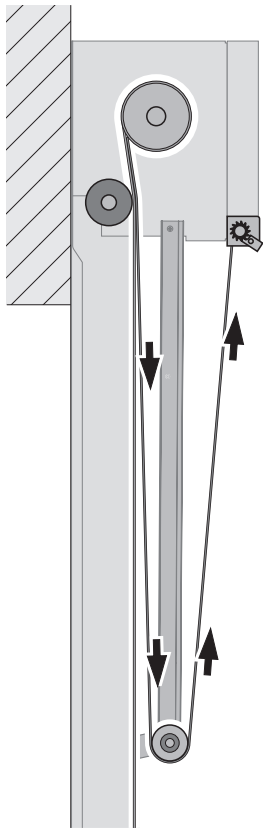
## 12.2



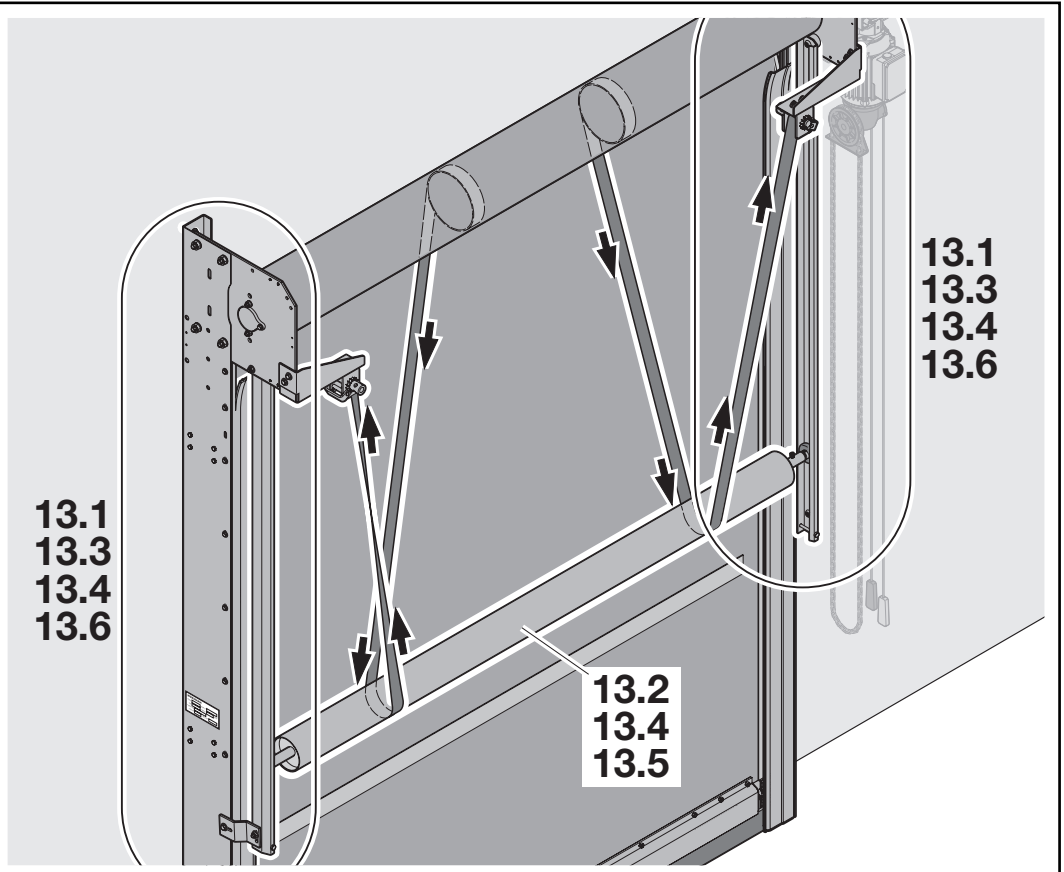
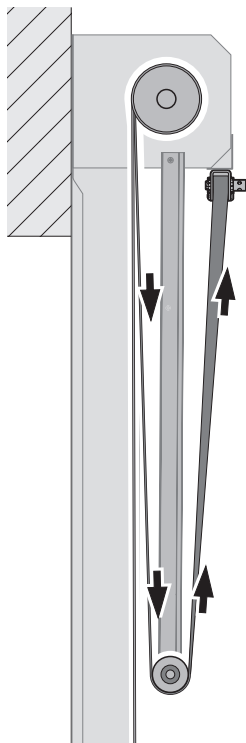
## 12.3

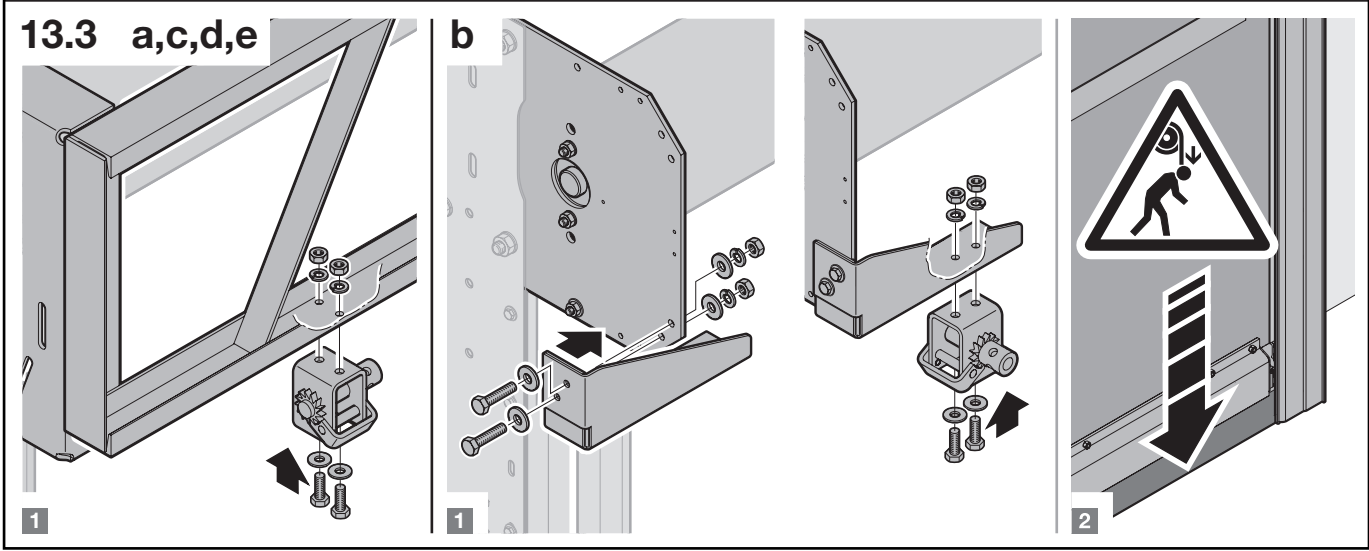
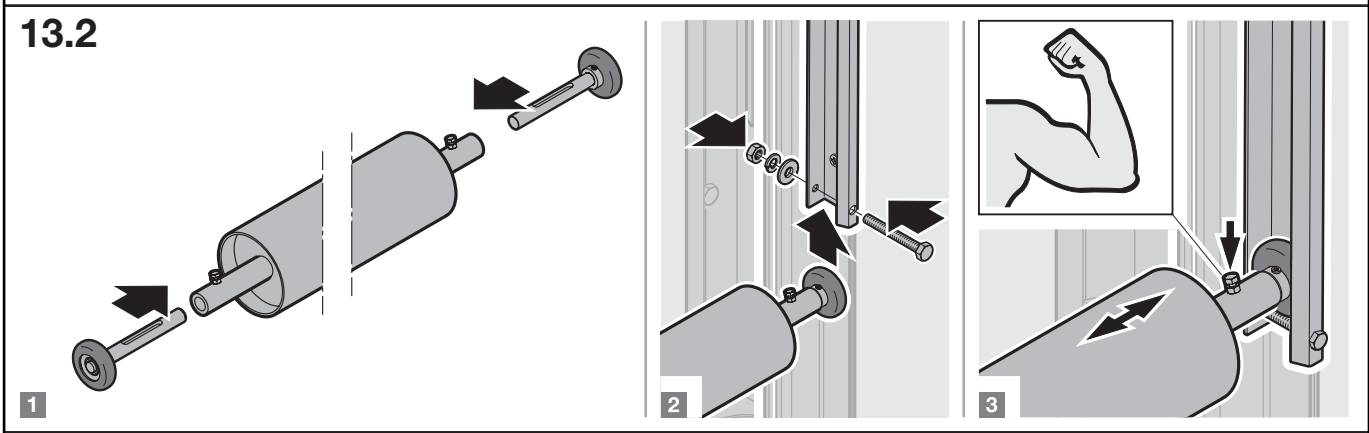
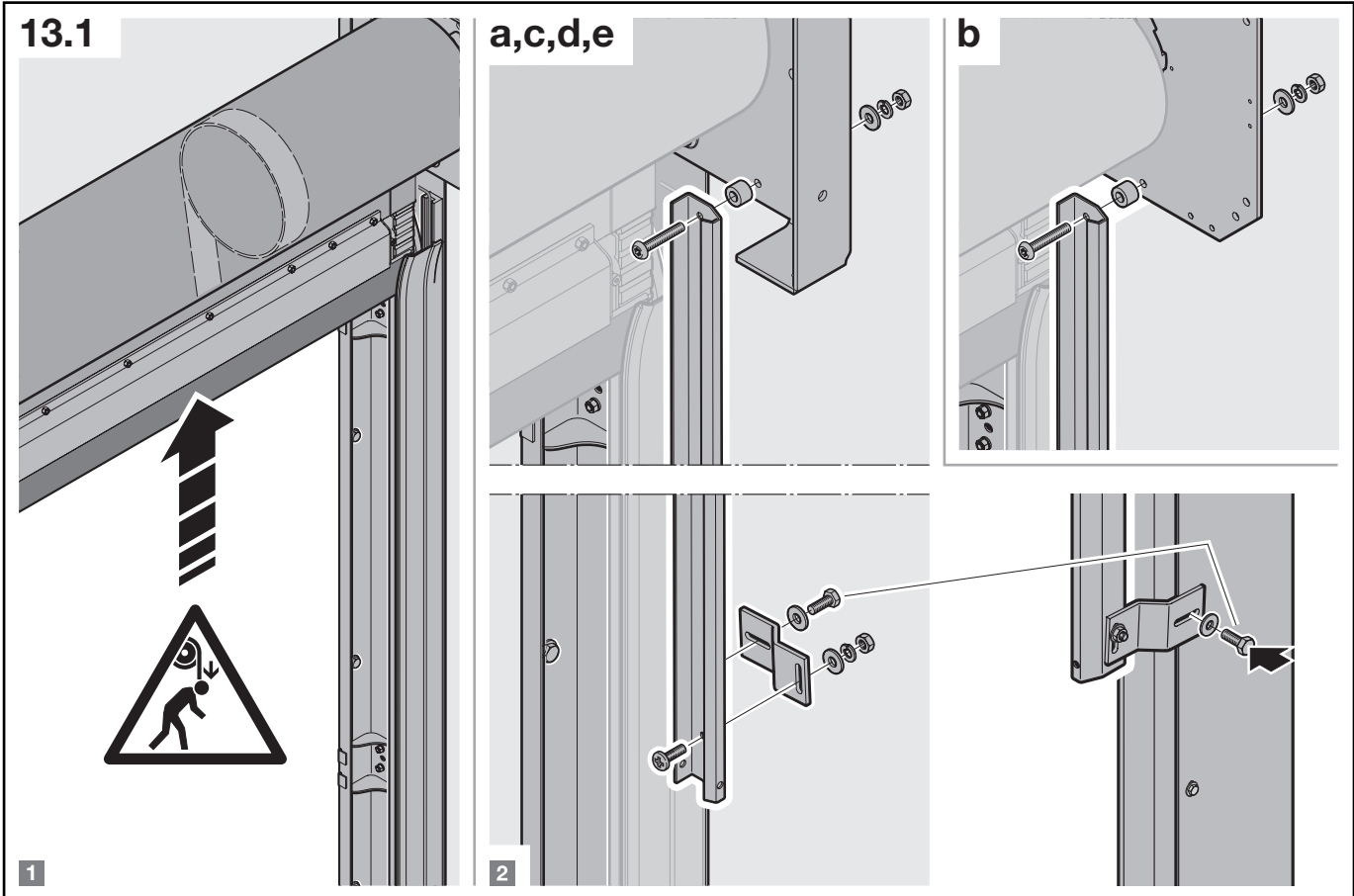


# 13a,c,d,e

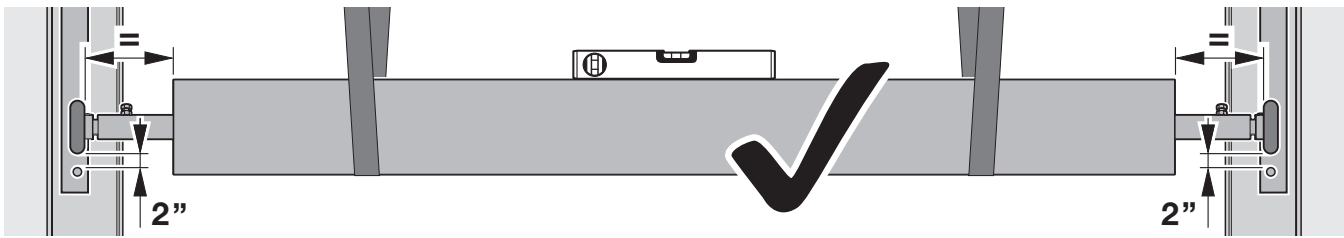
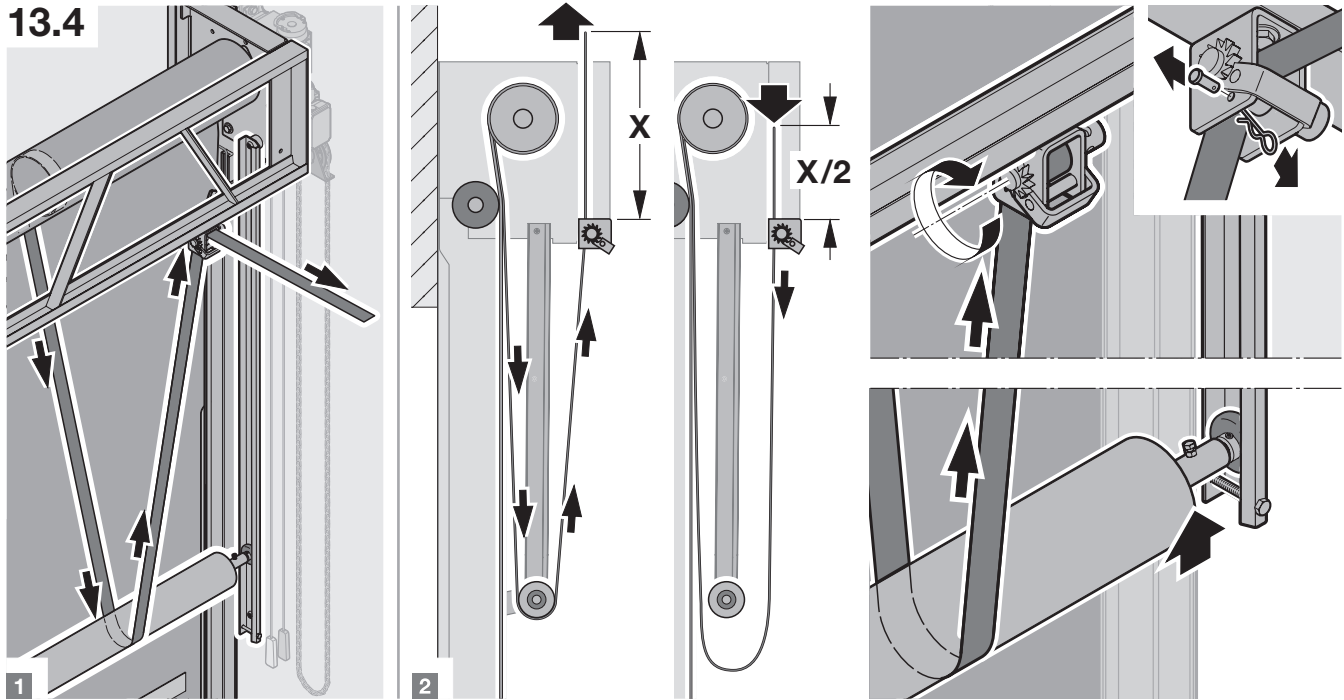


# 13b

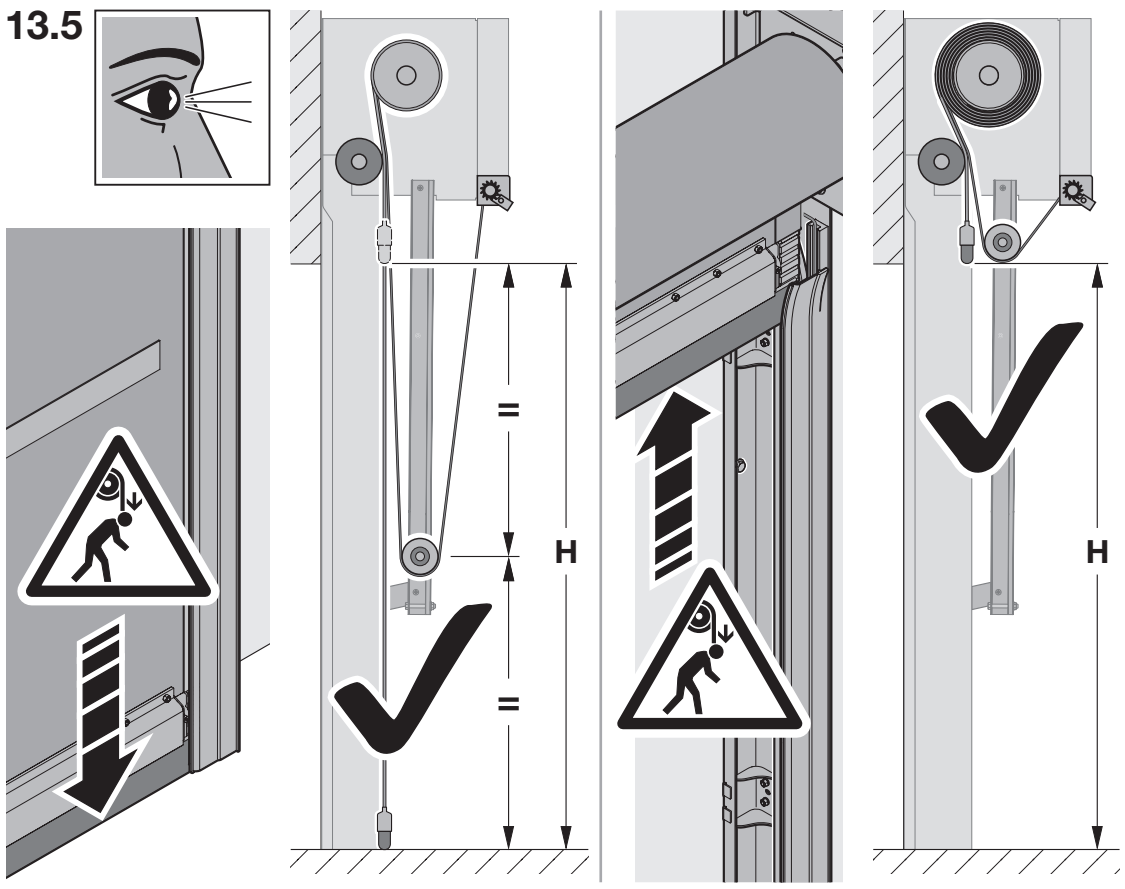




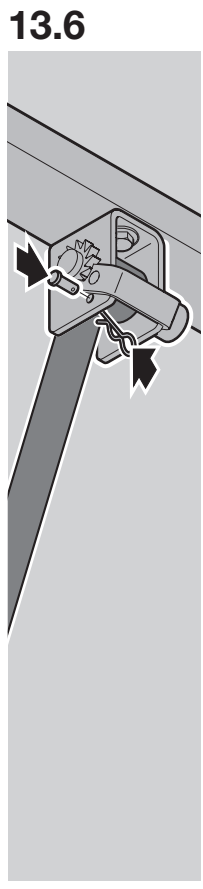
13.4



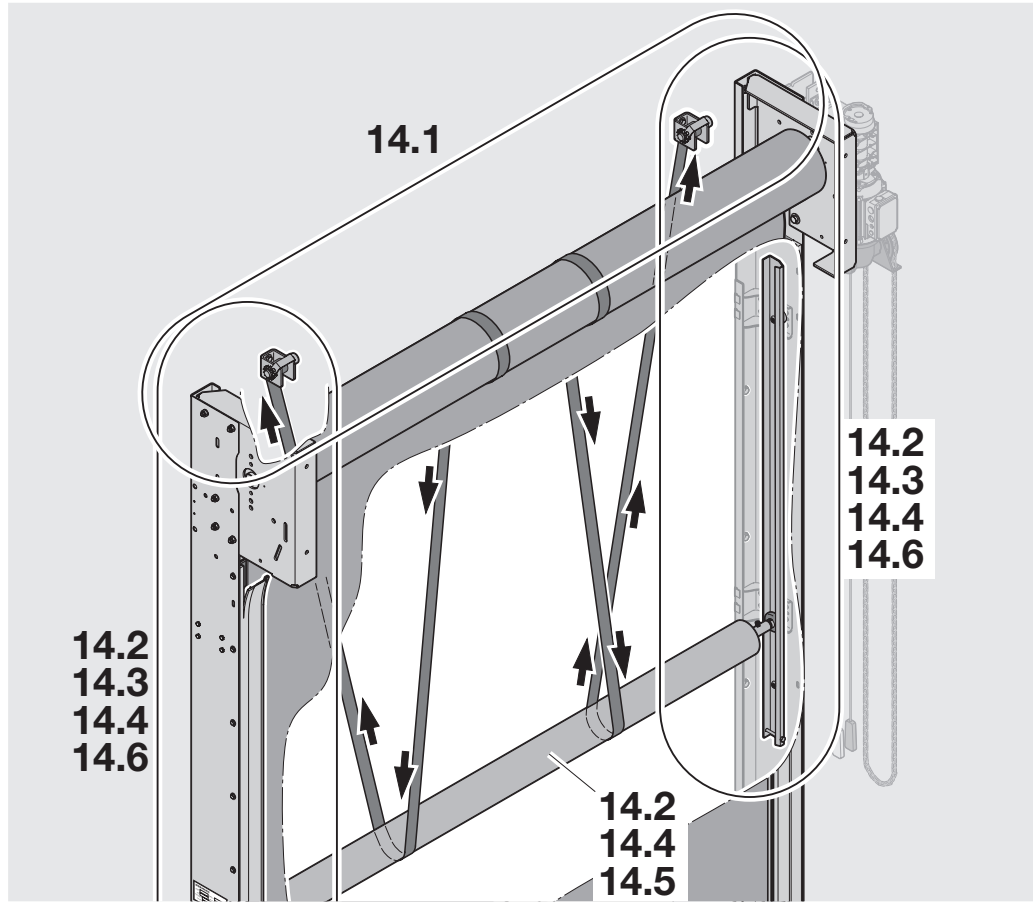
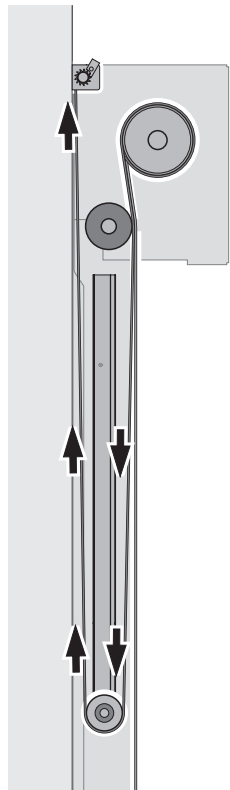
13.5



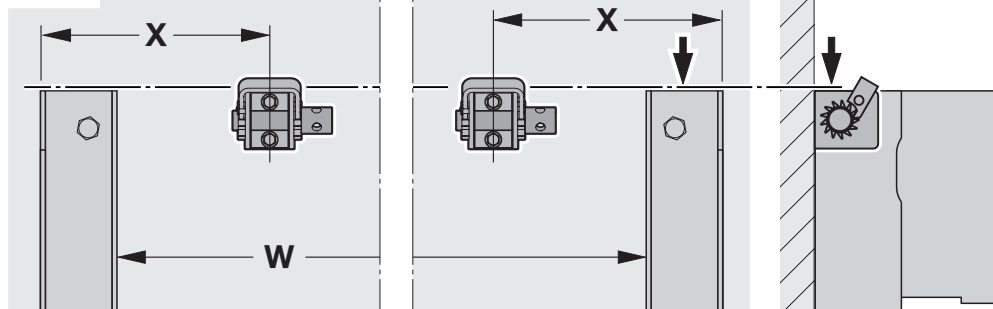
13.6



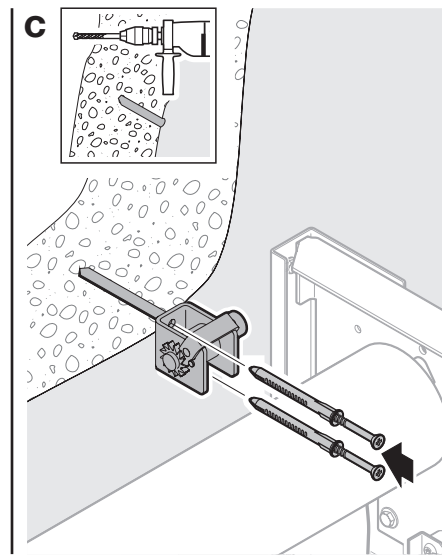
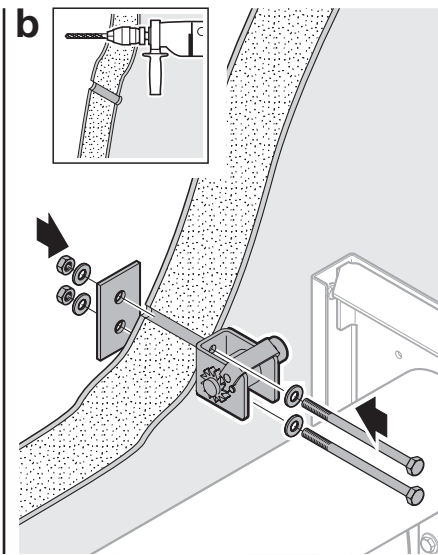
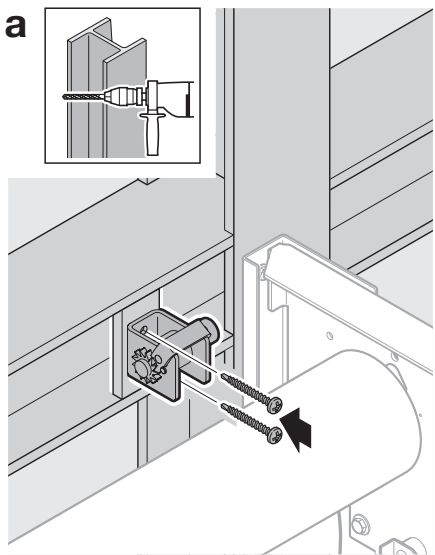
# 14



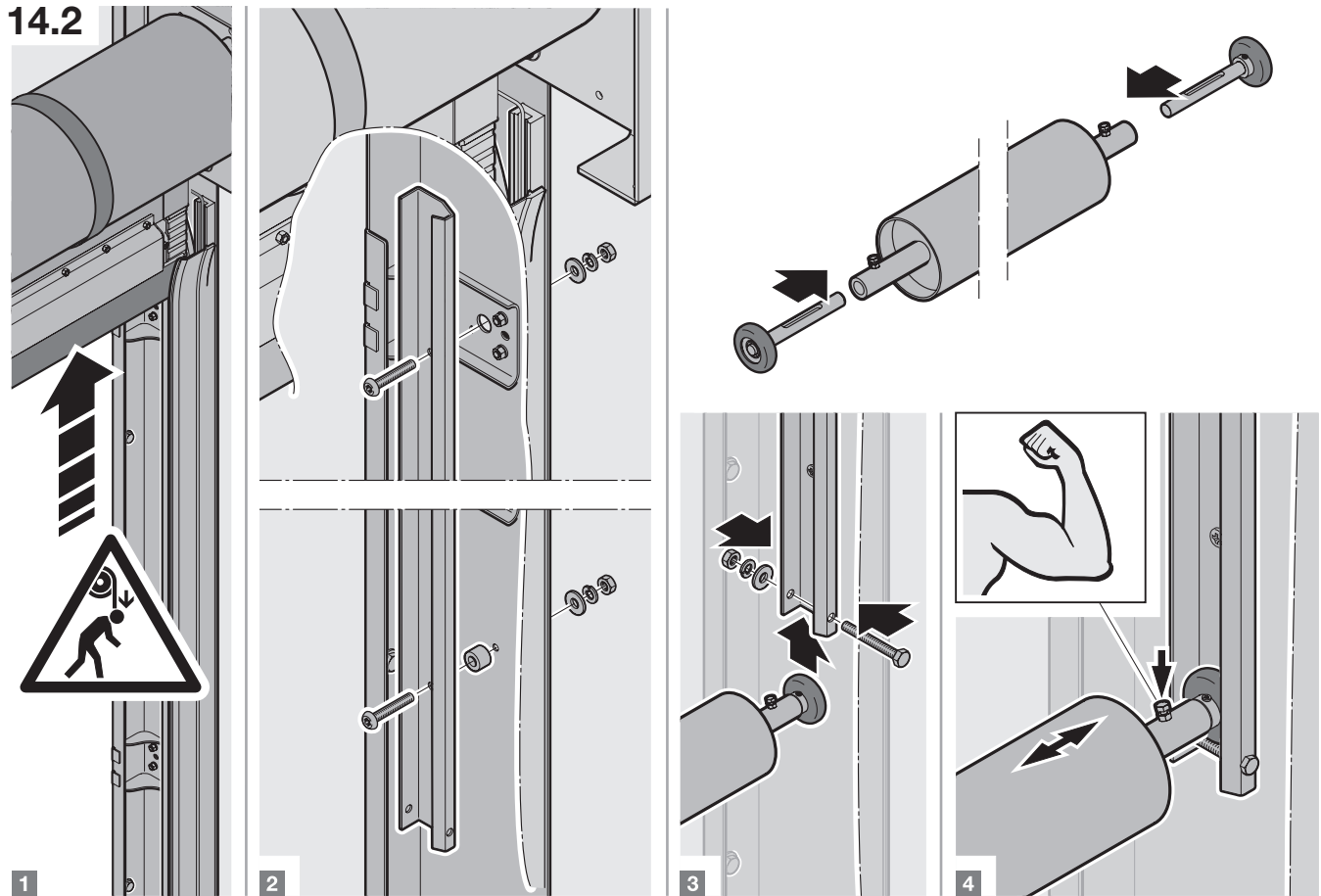
## 14.1



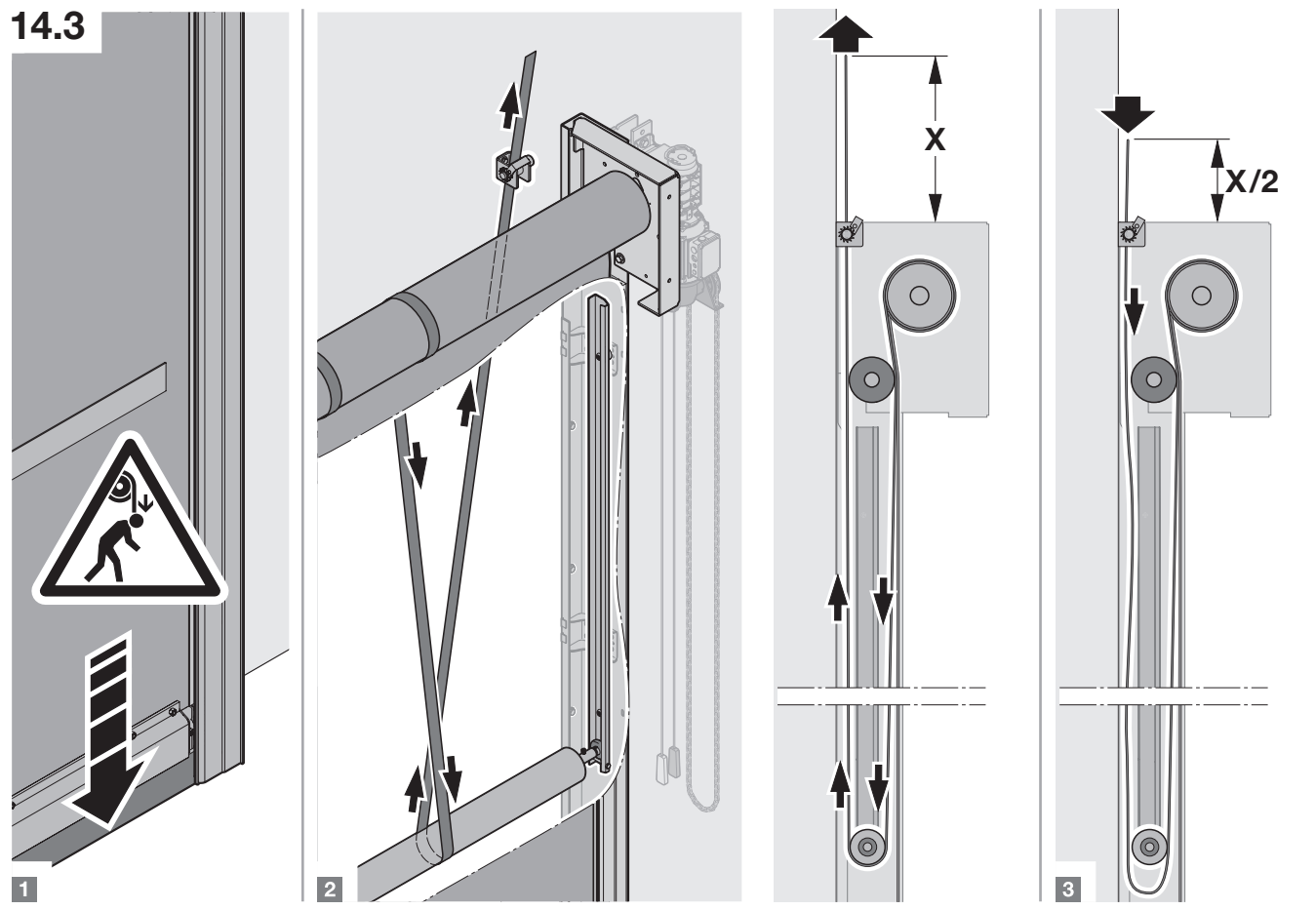
W	X
< 120"	5"
120" - 180"	14"
181" - 360"	32"

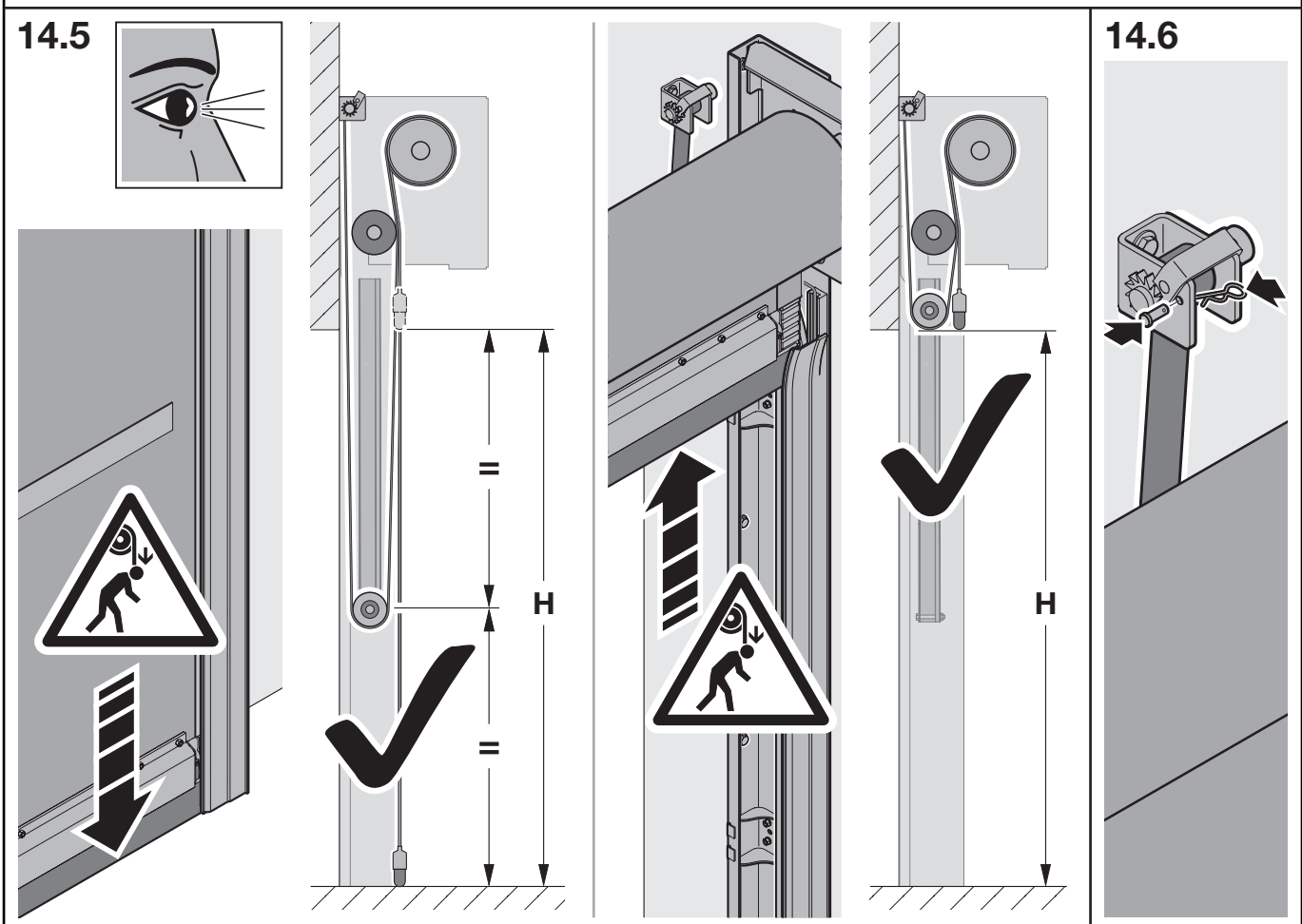
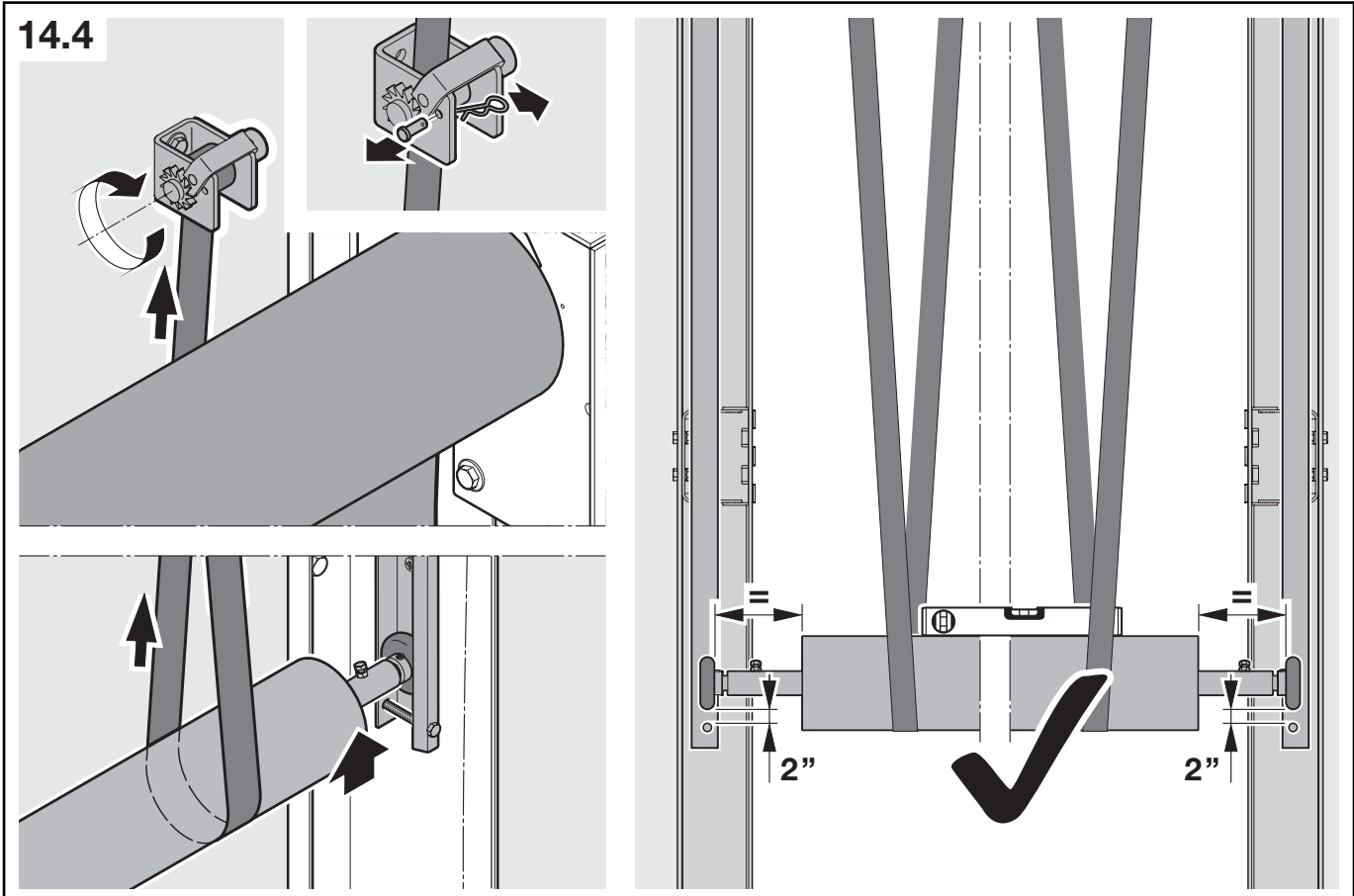


### 14.2

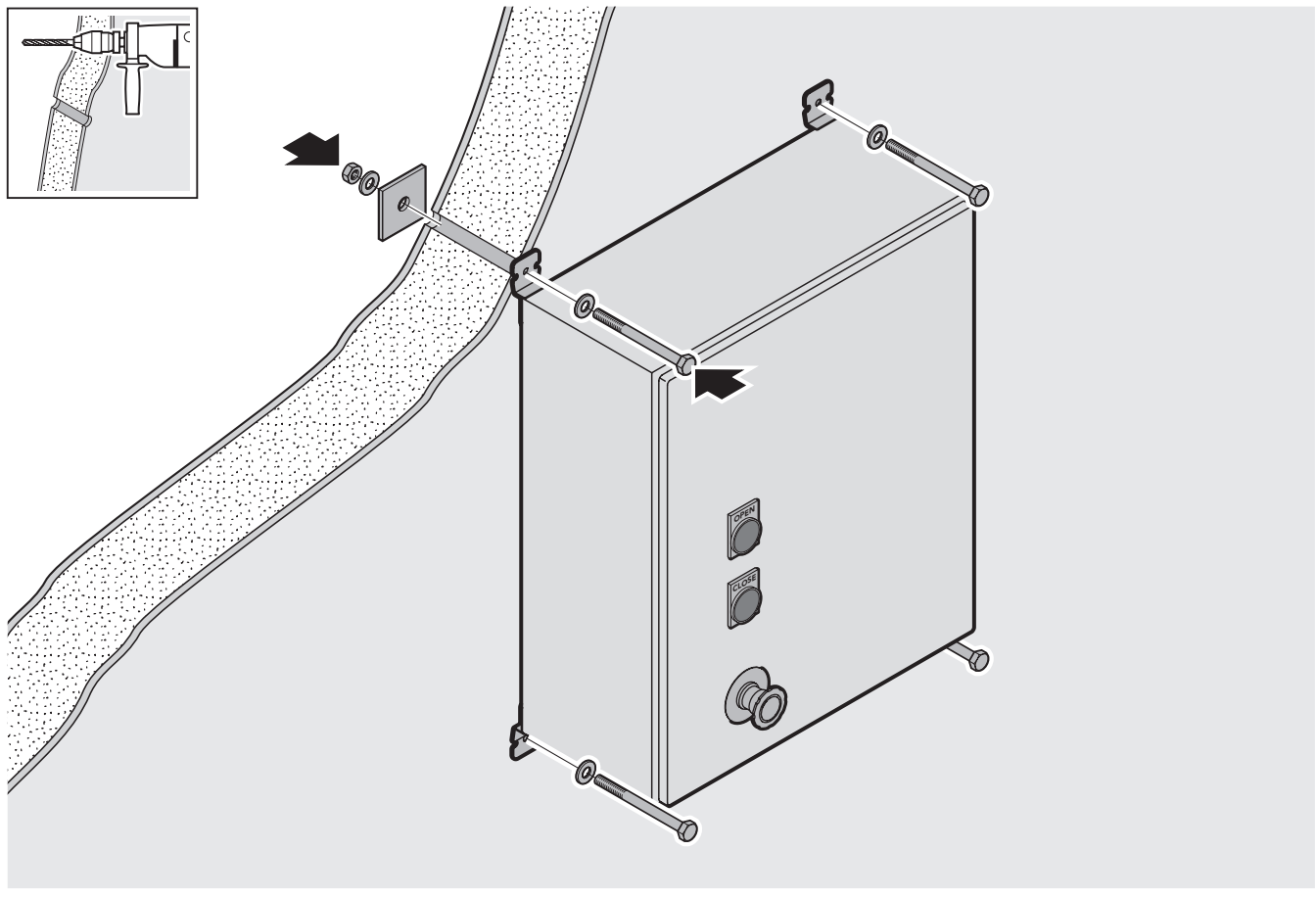
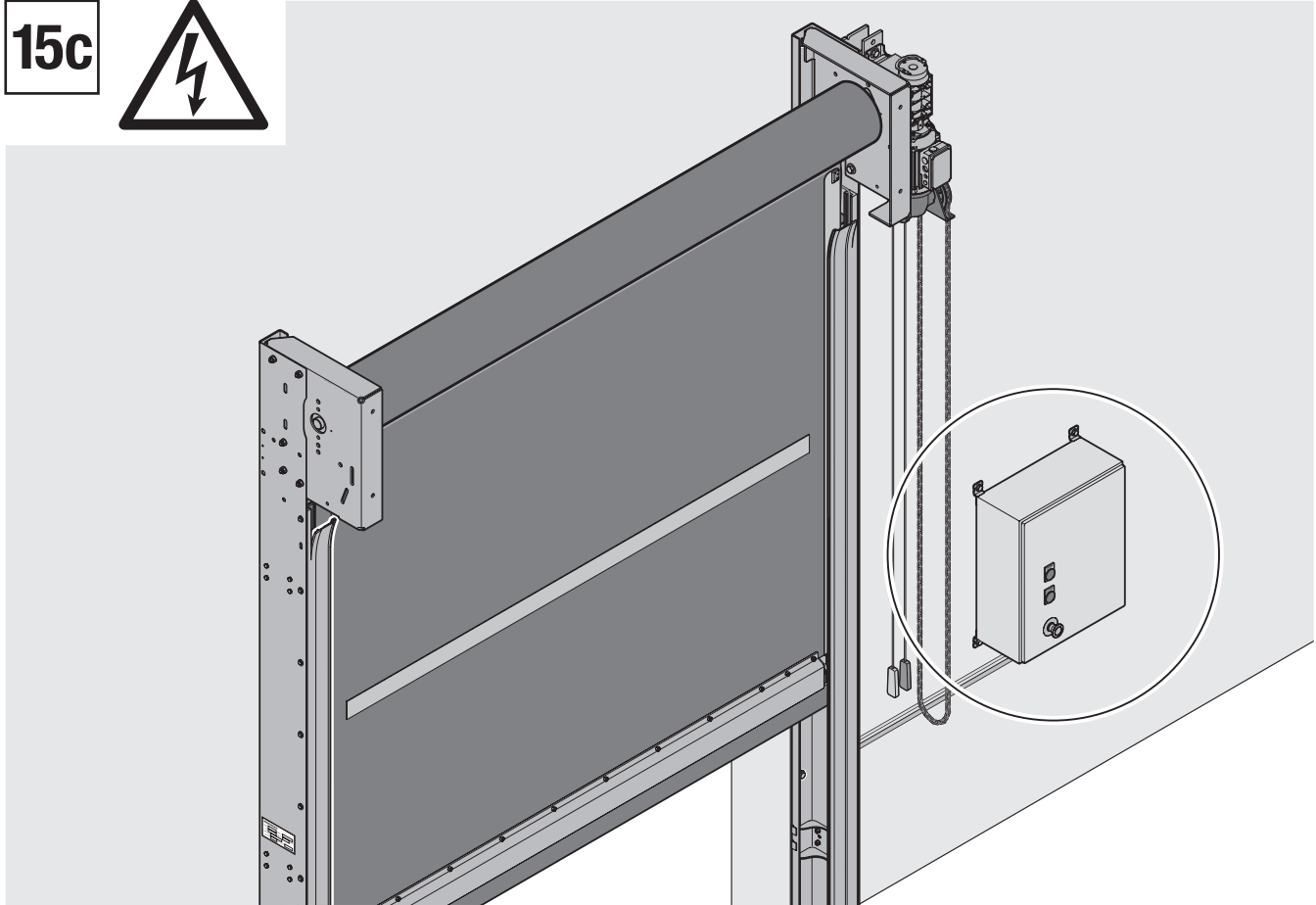


### 14.3



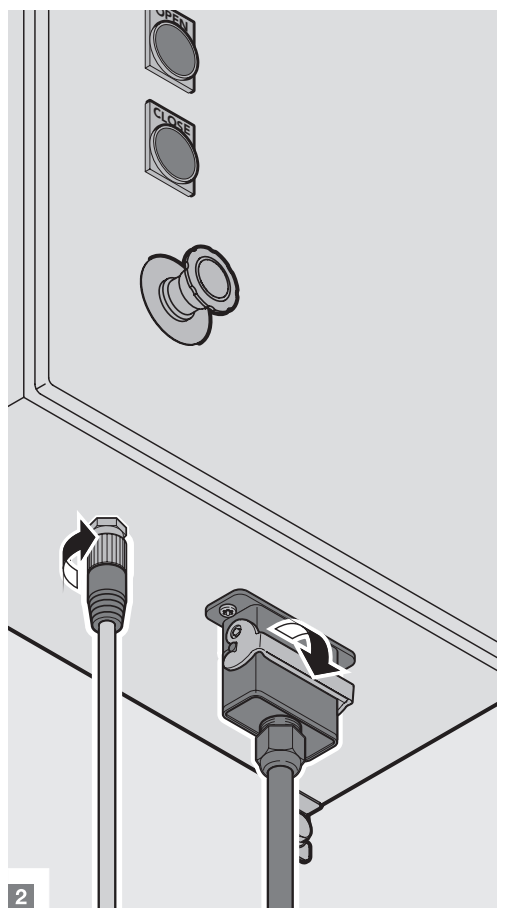
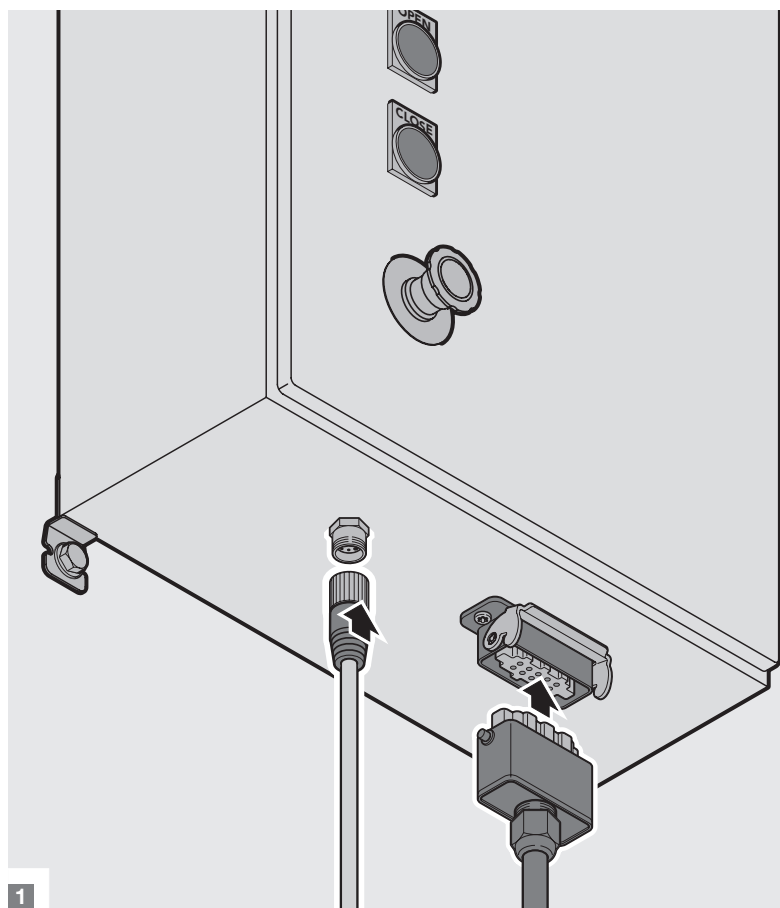
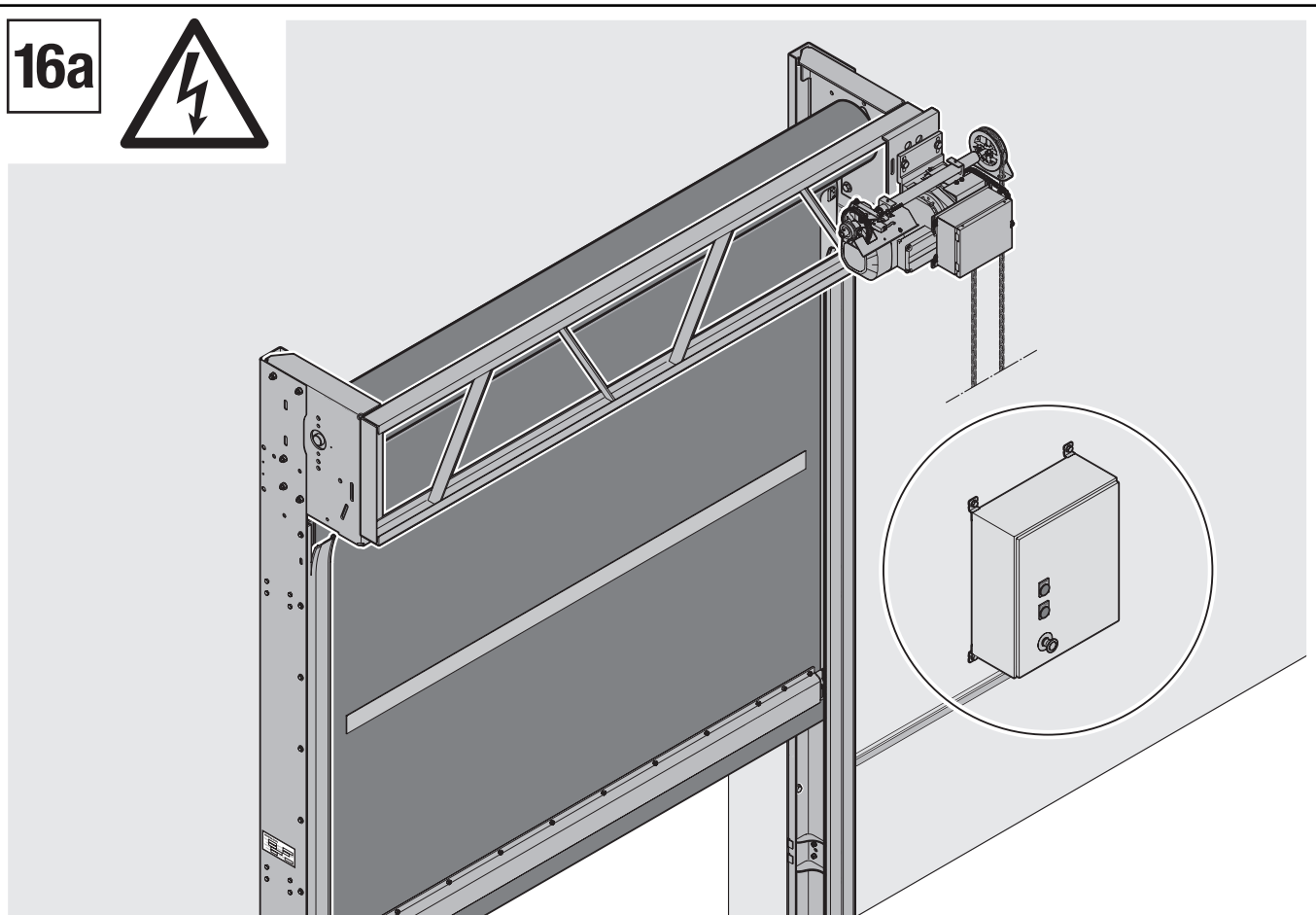


15c





16a

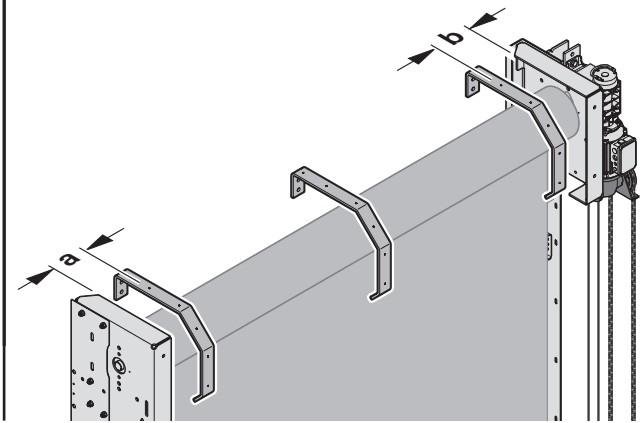
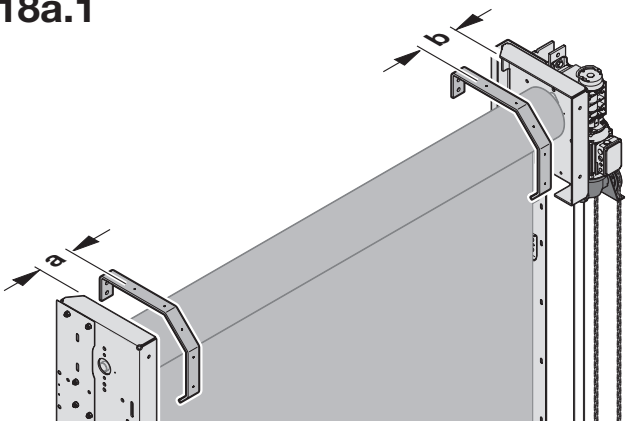


18a

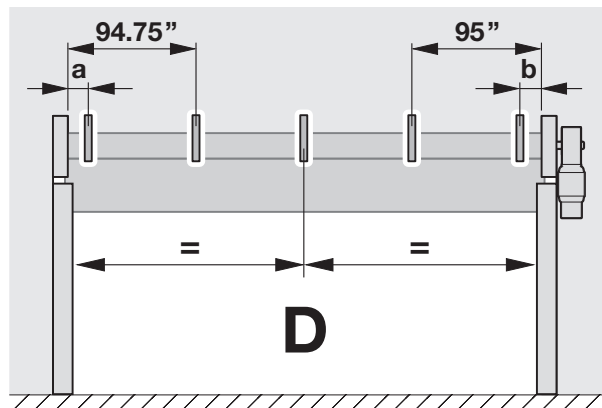
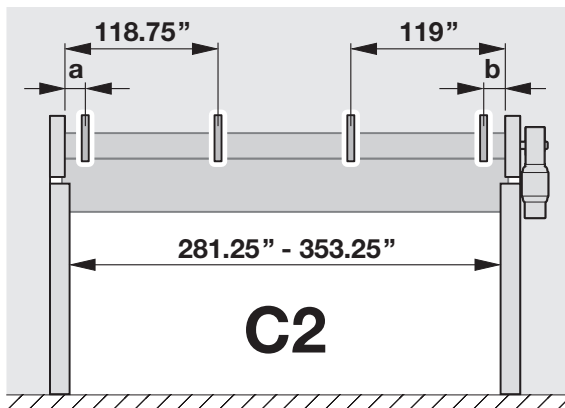
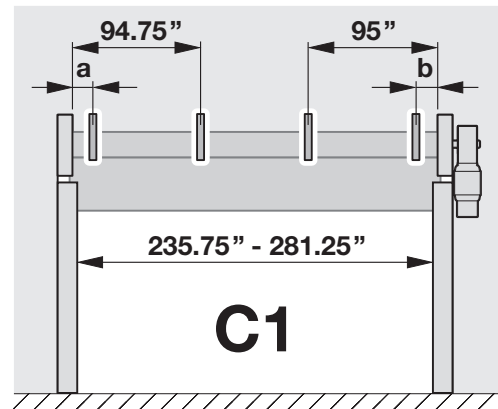
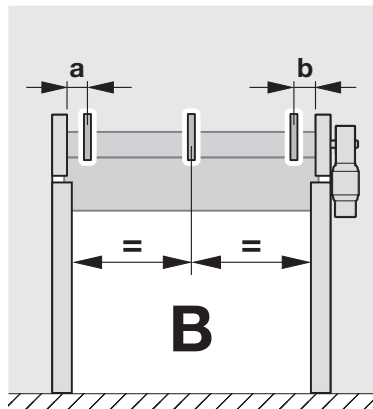
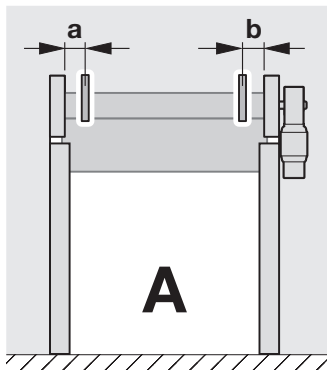
A

B

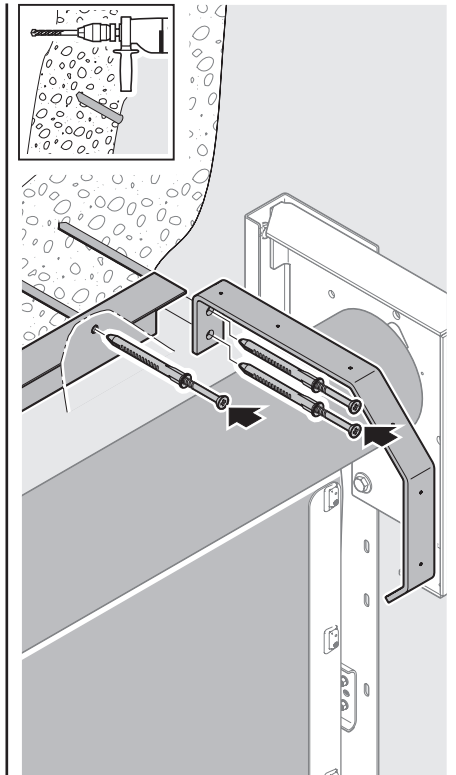
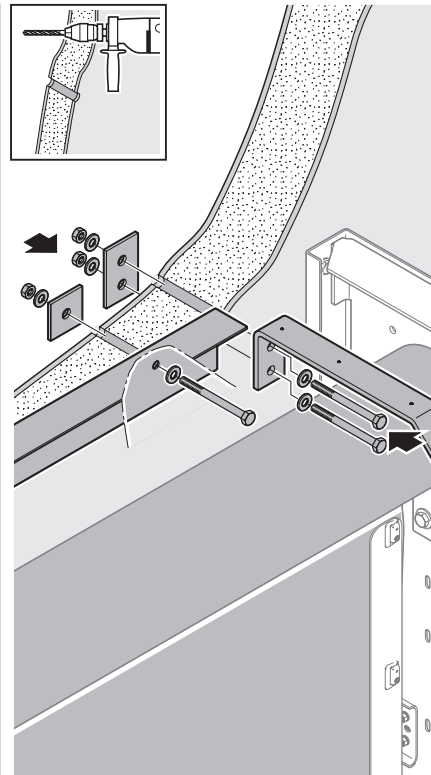
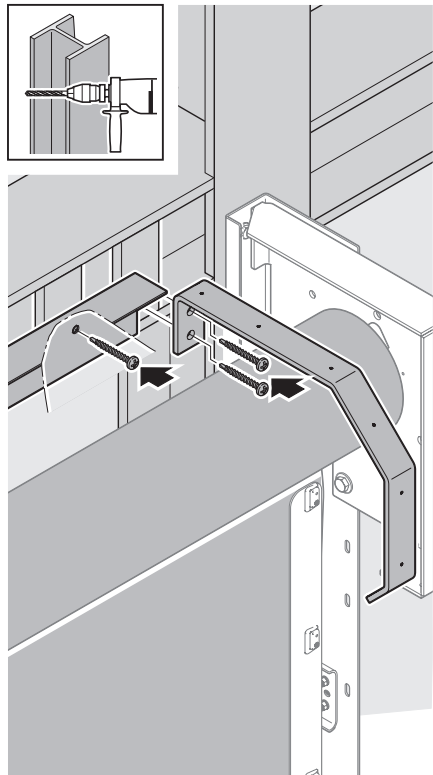
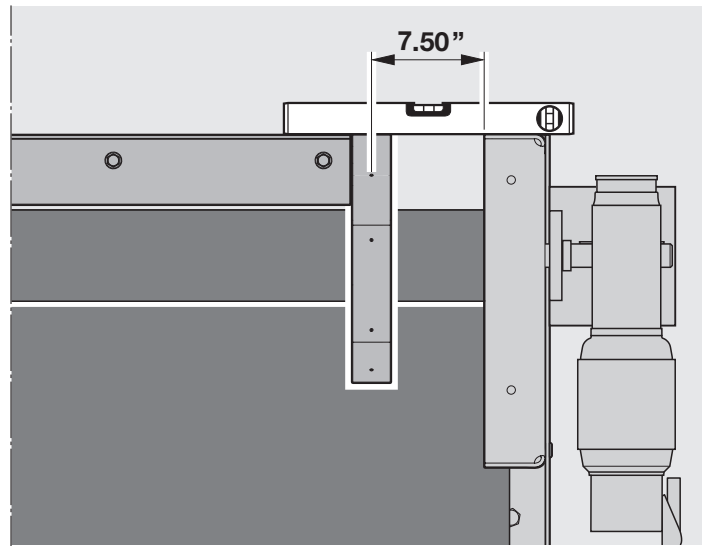
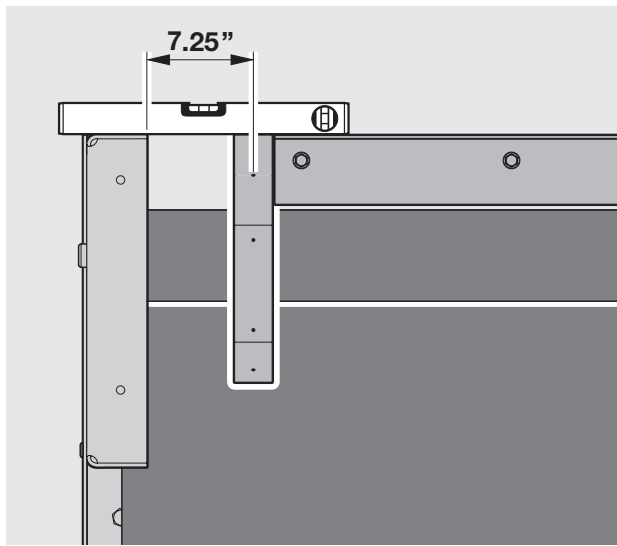
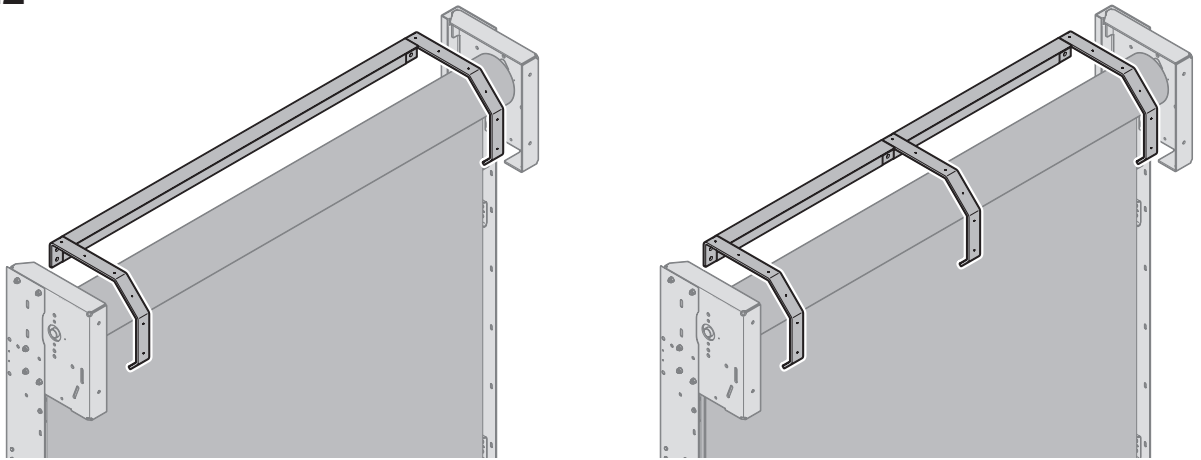
18a.1



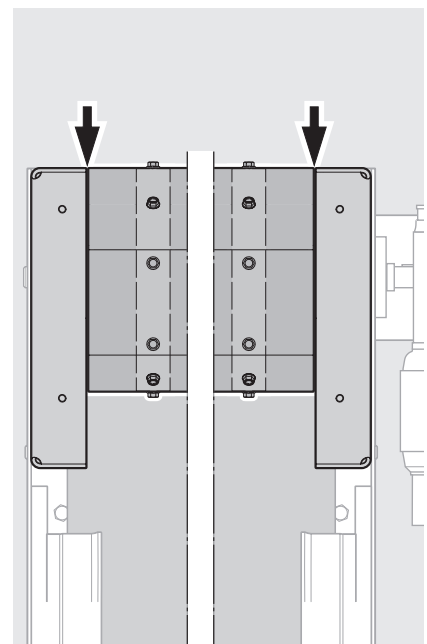
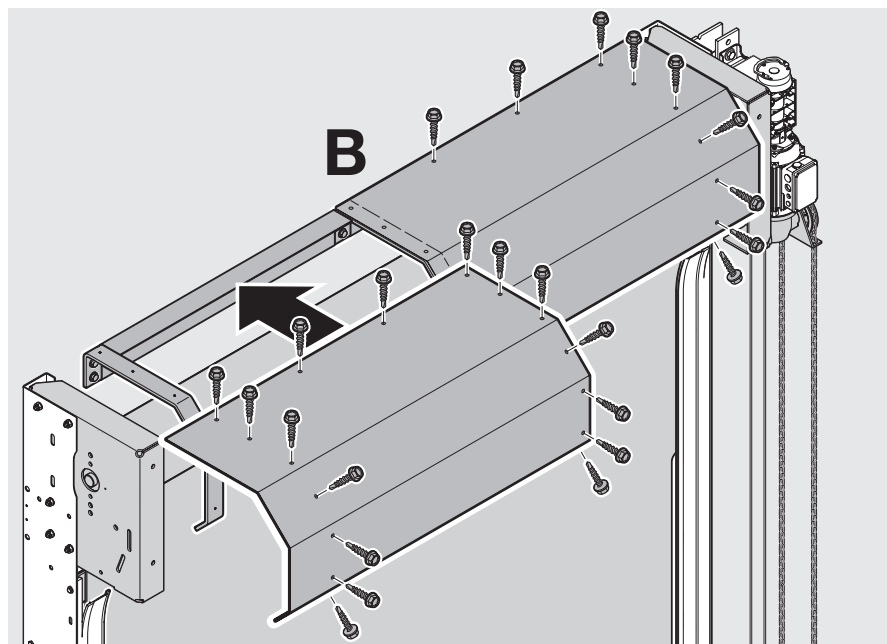
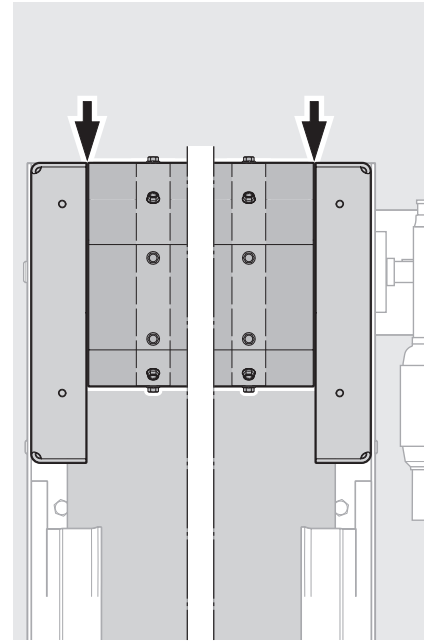
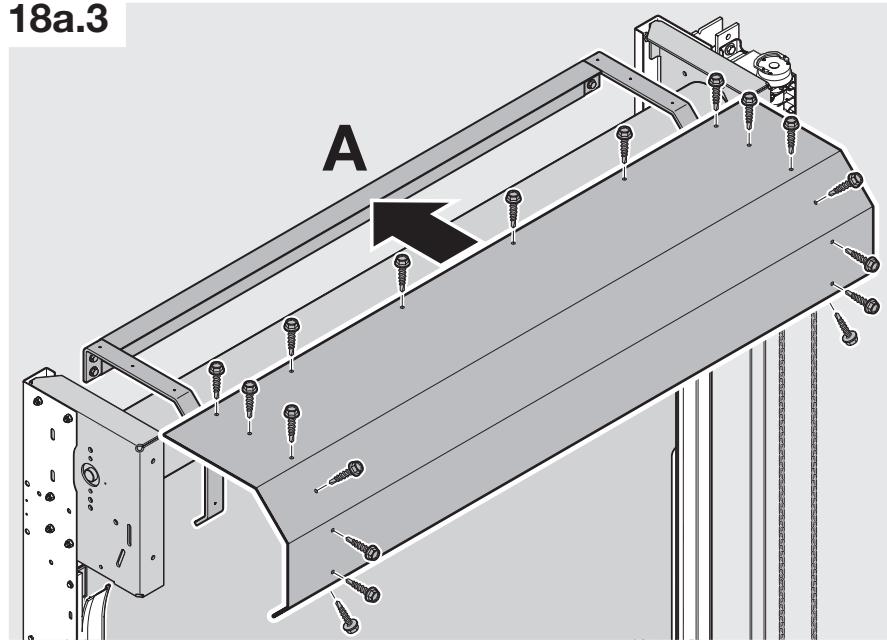
a = 7.25"    b = 7.50"



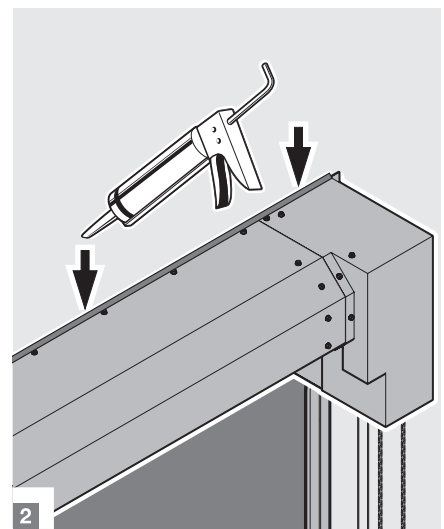
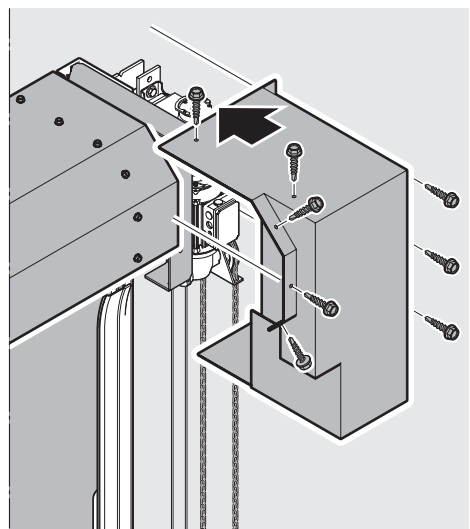
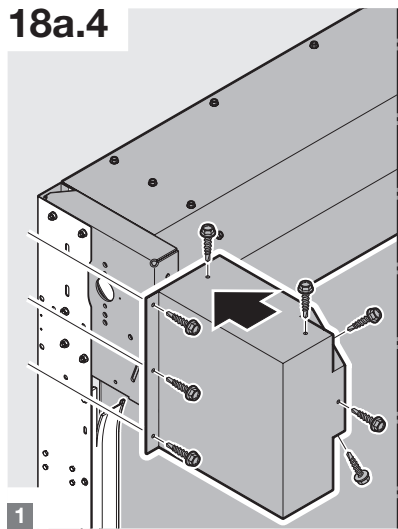
18a.2



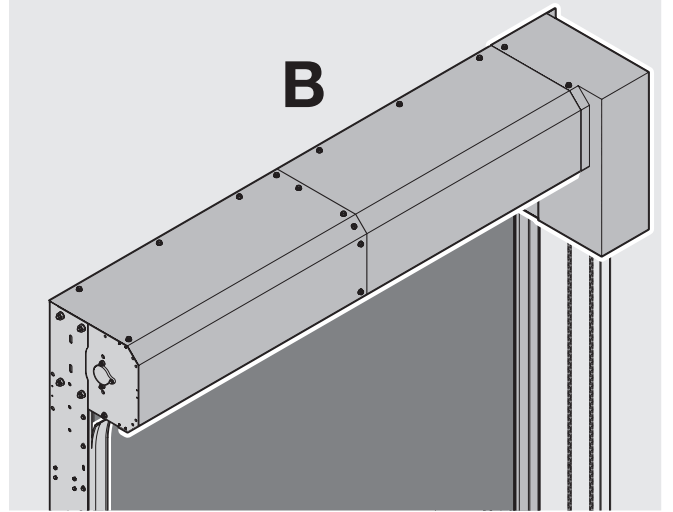
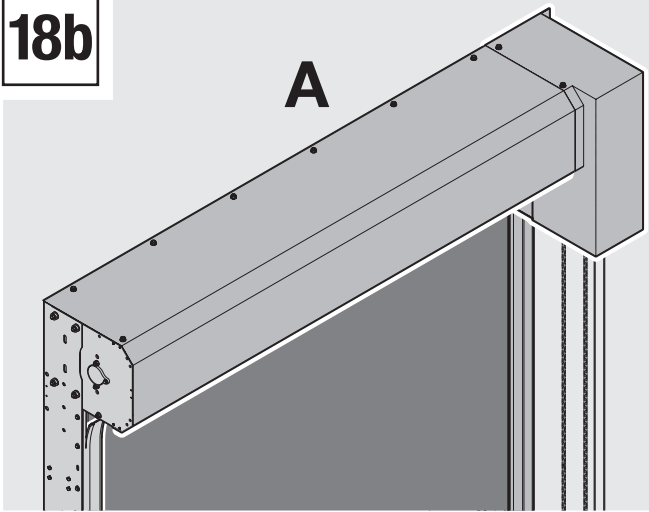
18a.3



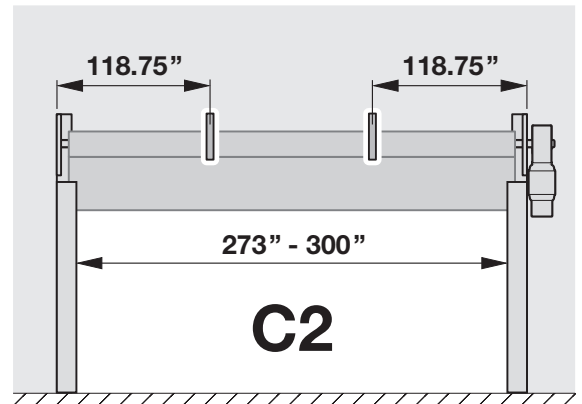
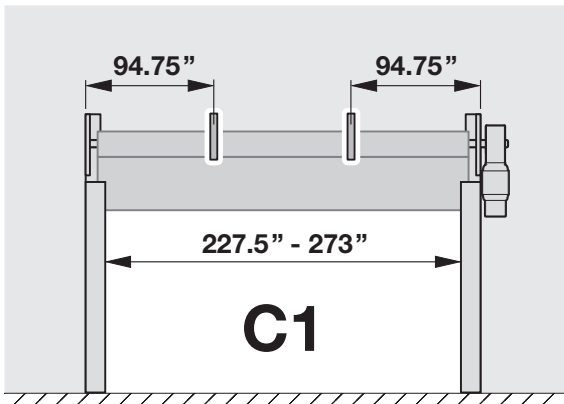
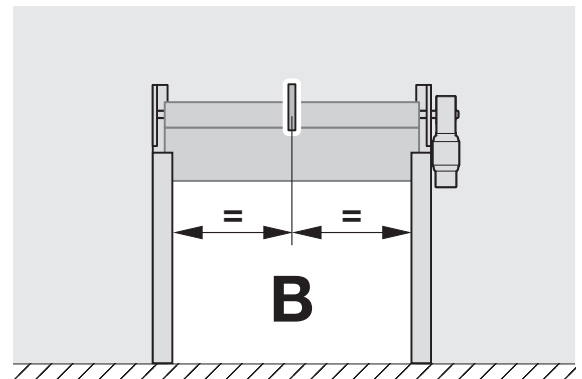
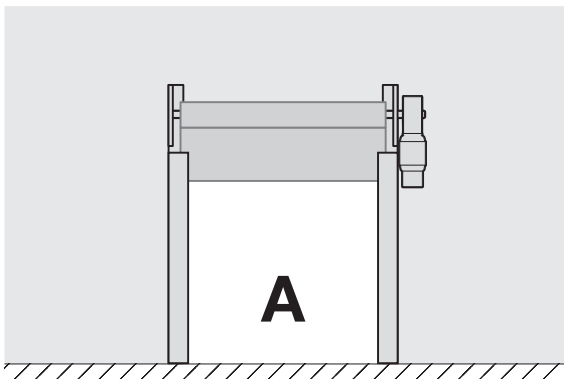
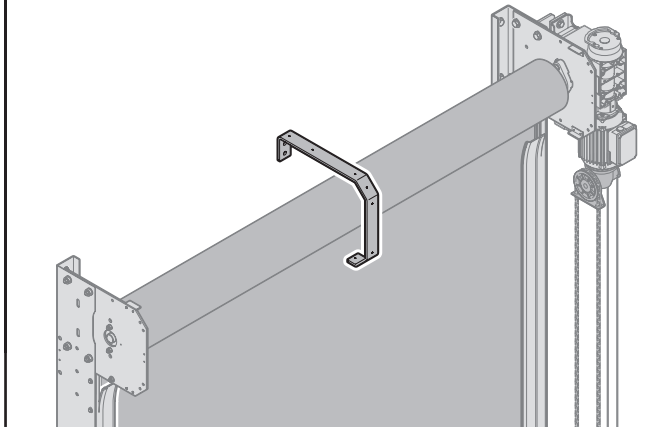
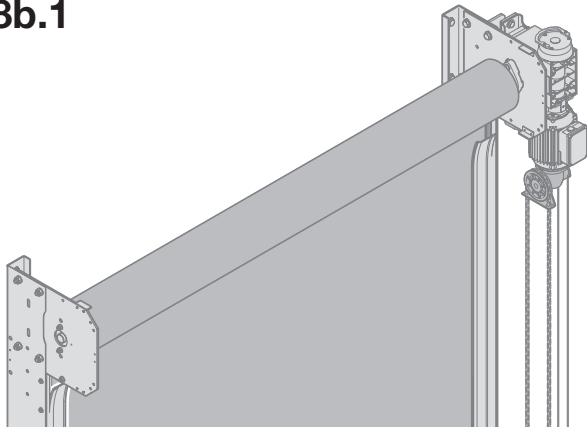
18a.4



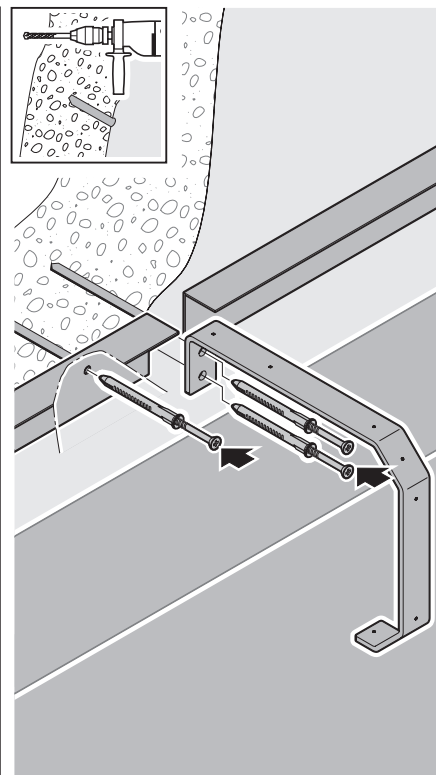
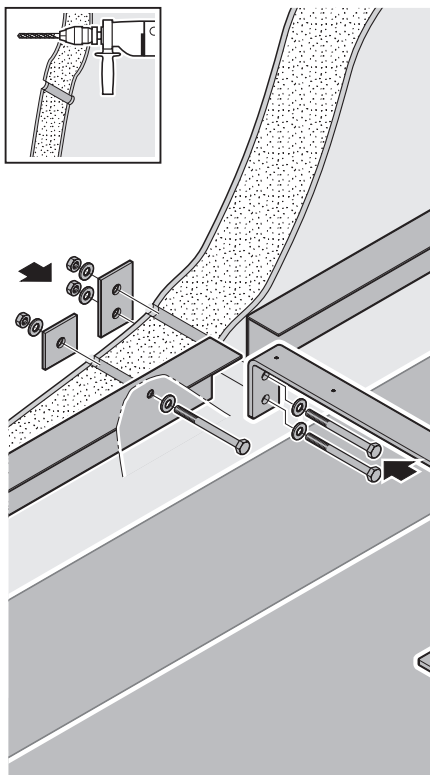
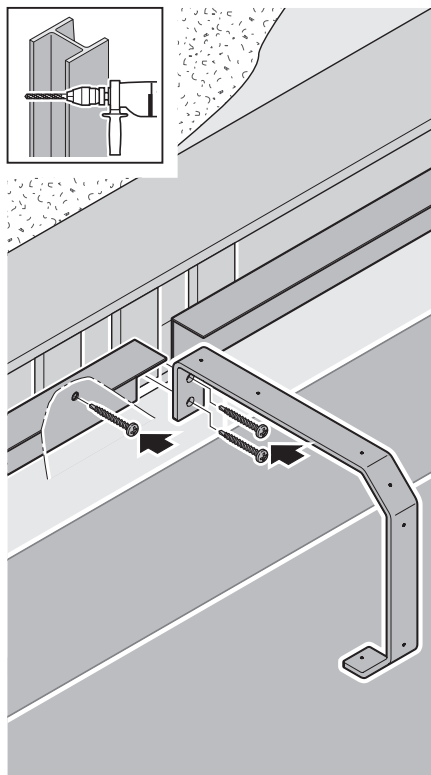
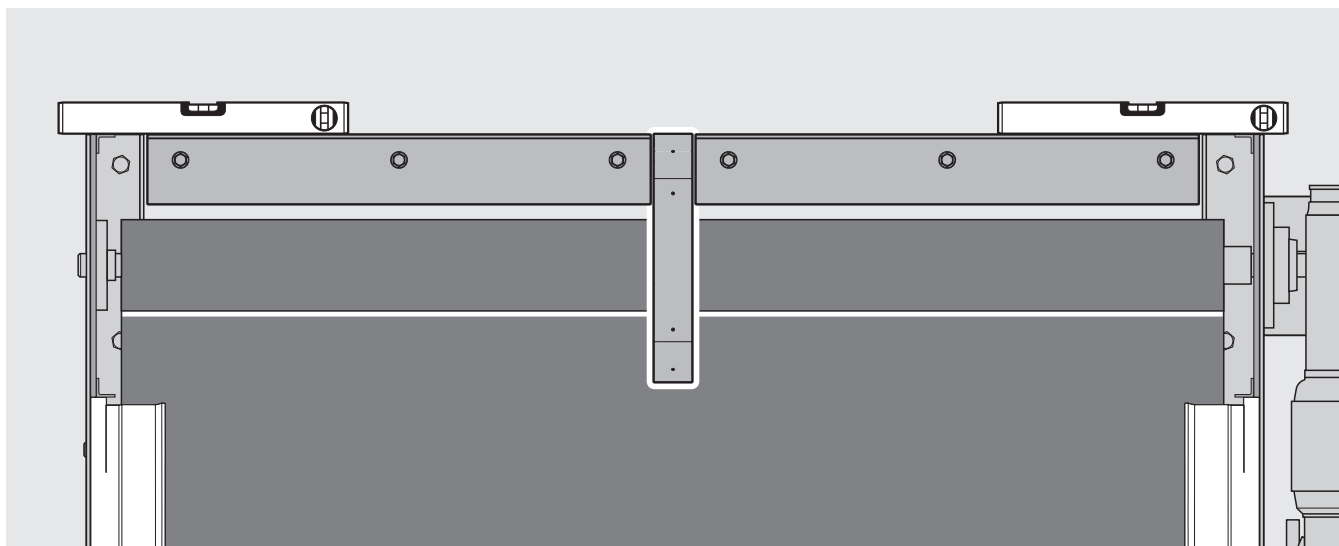
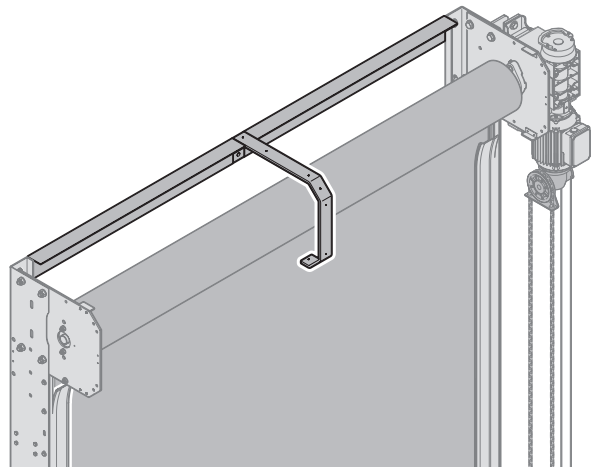
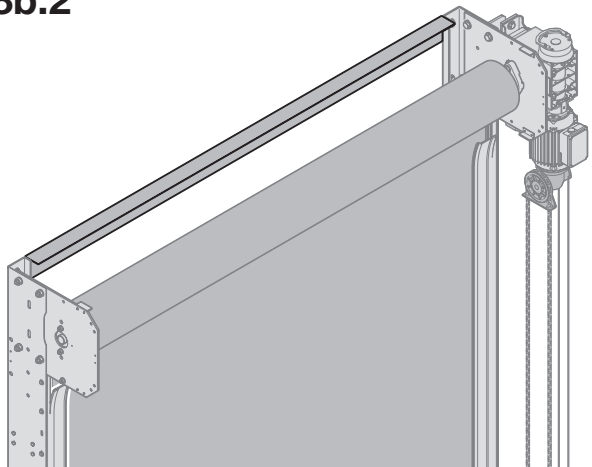
**18b**



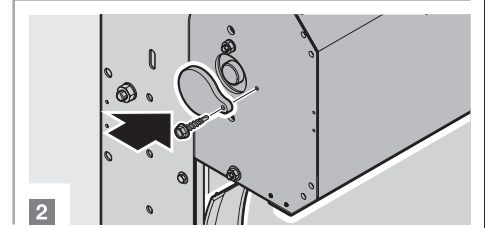
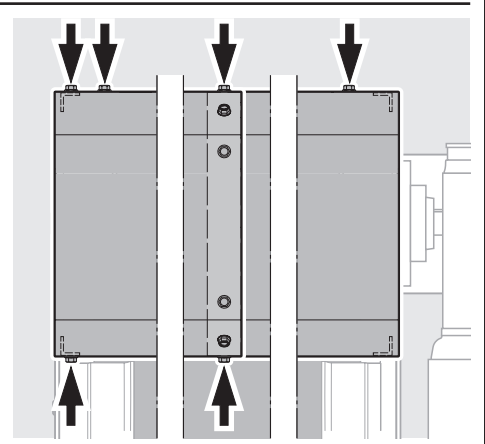
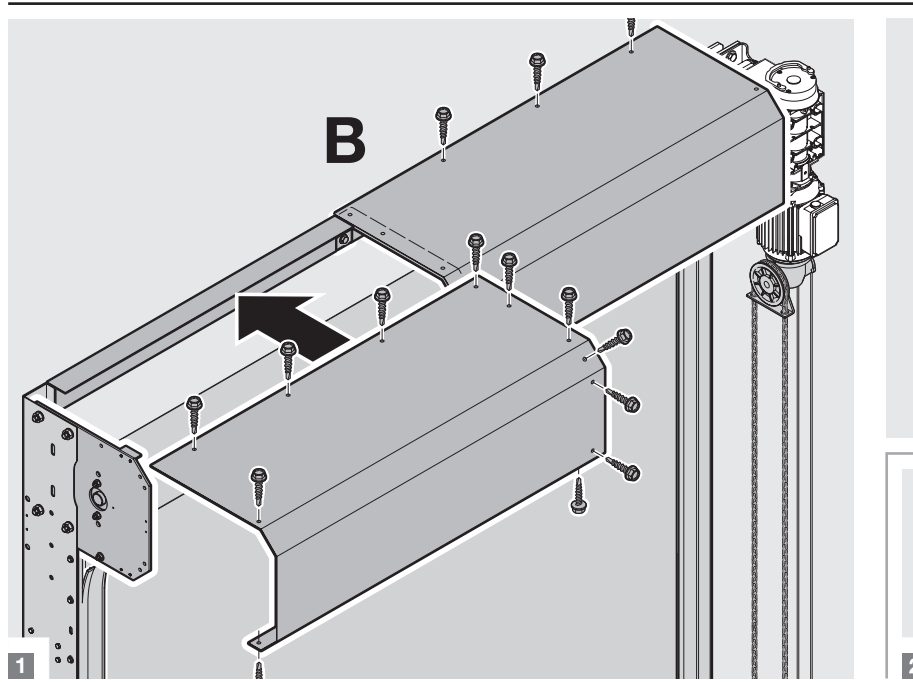
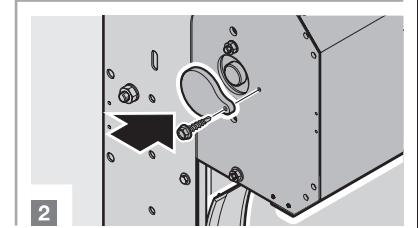
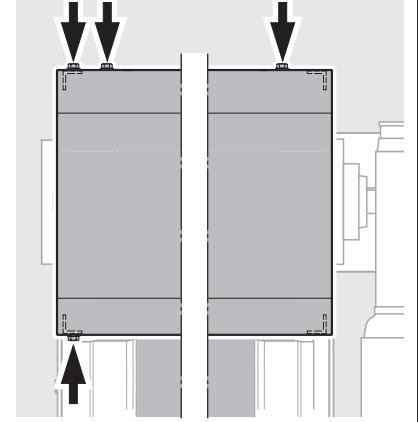
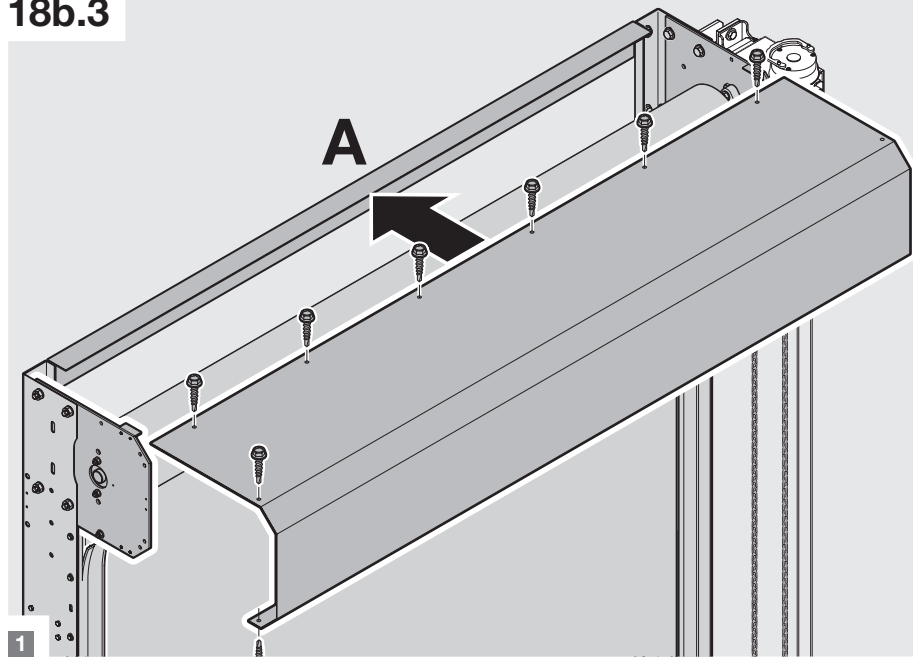
**18b.1**



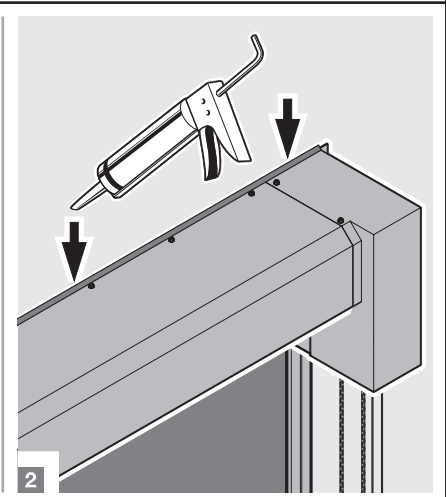
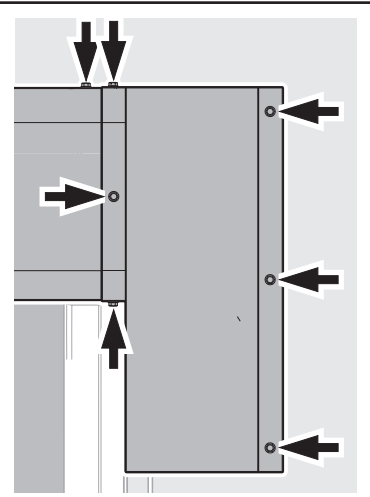
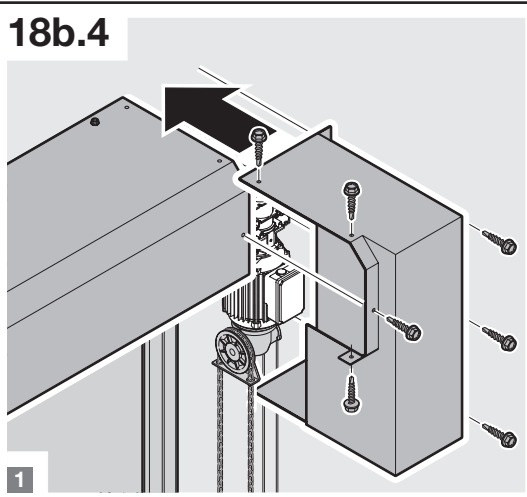
18b.2



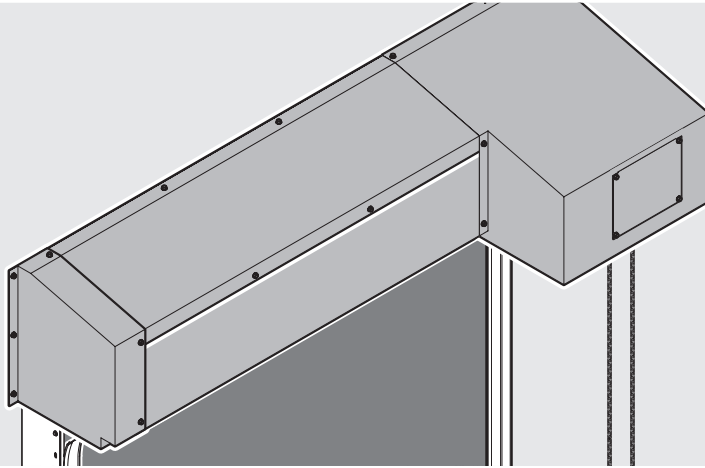
18b.3



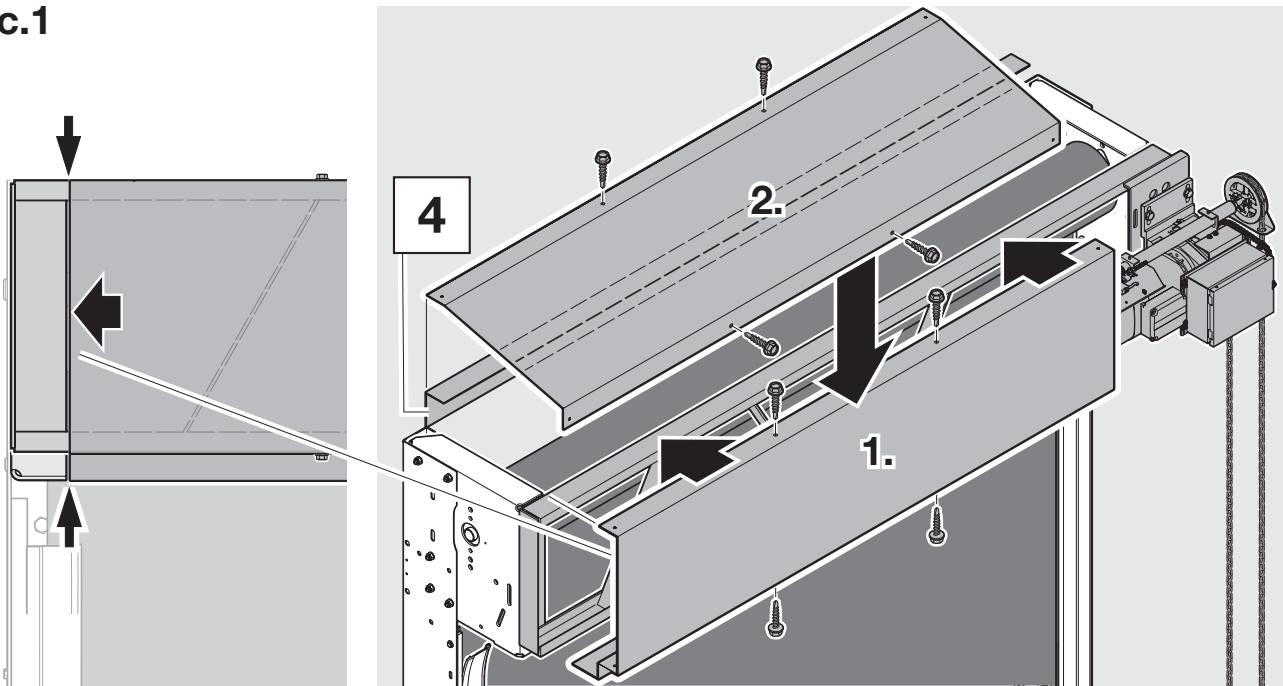
18b.4



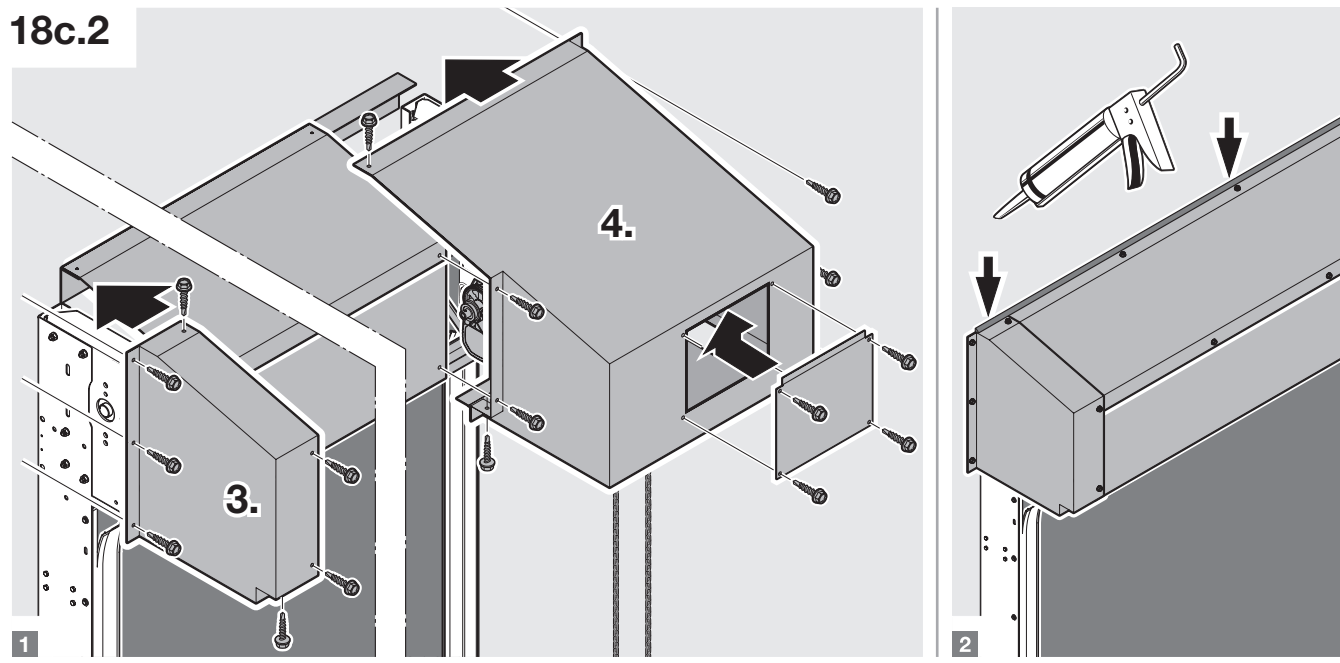
**18c**



**18c.1**

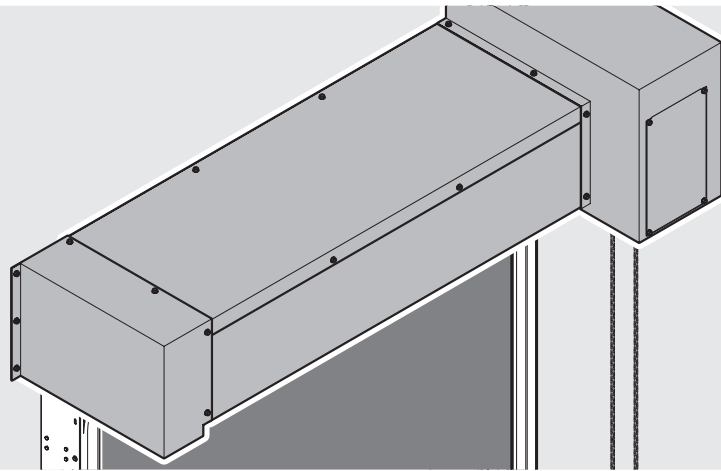


**18c.2**

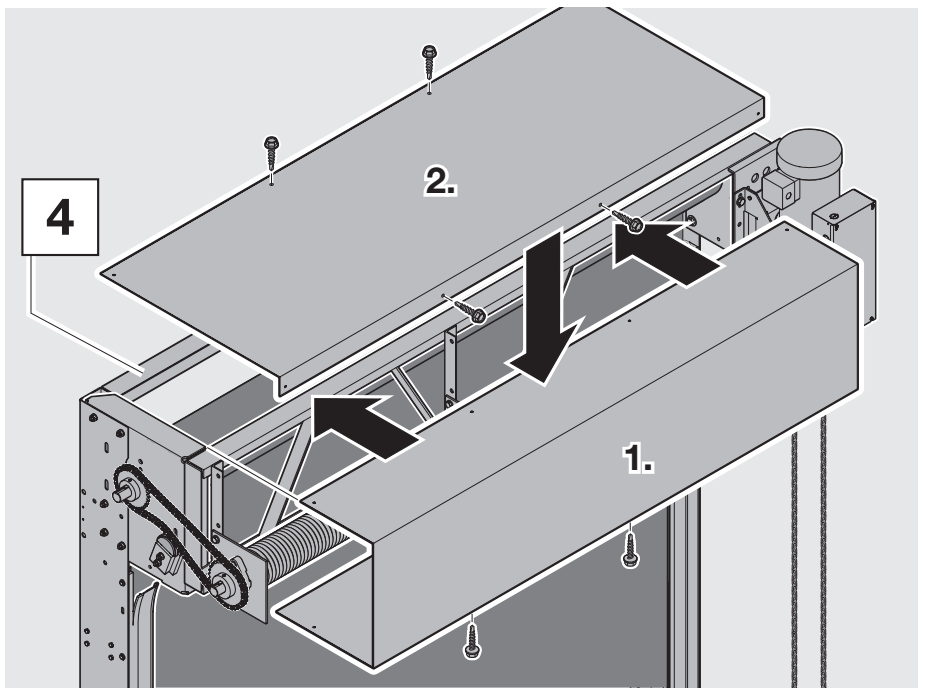
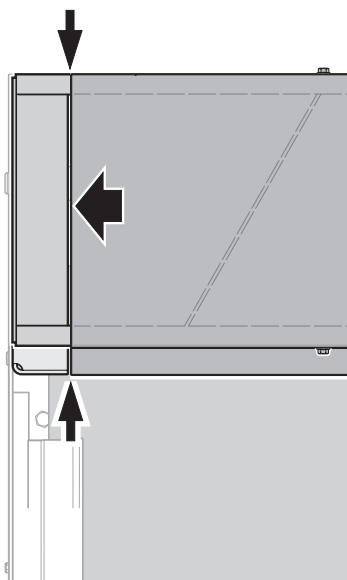




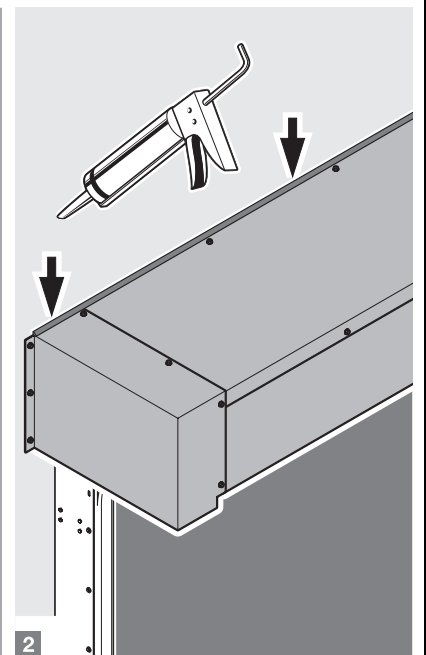
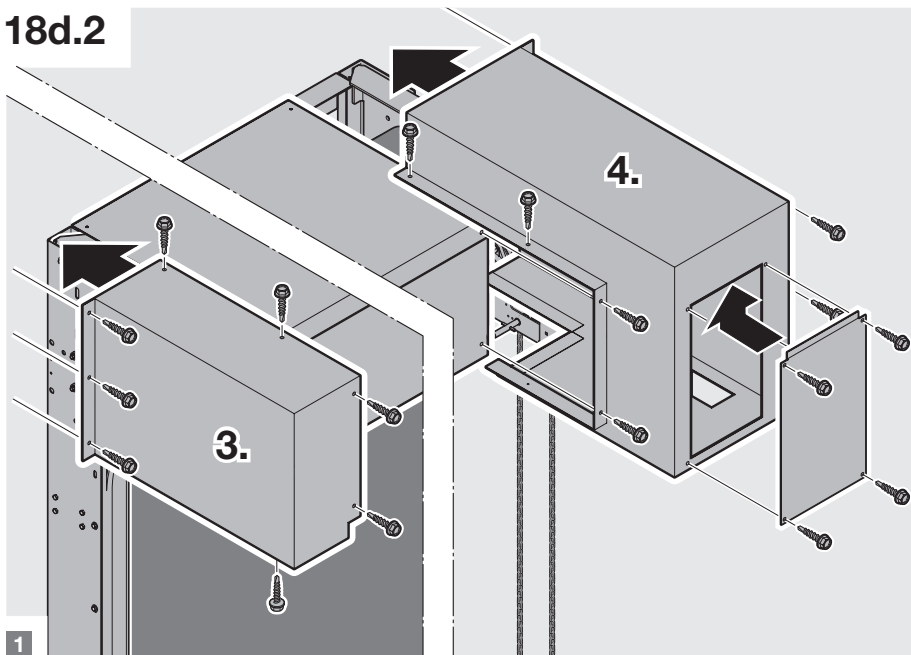
18d



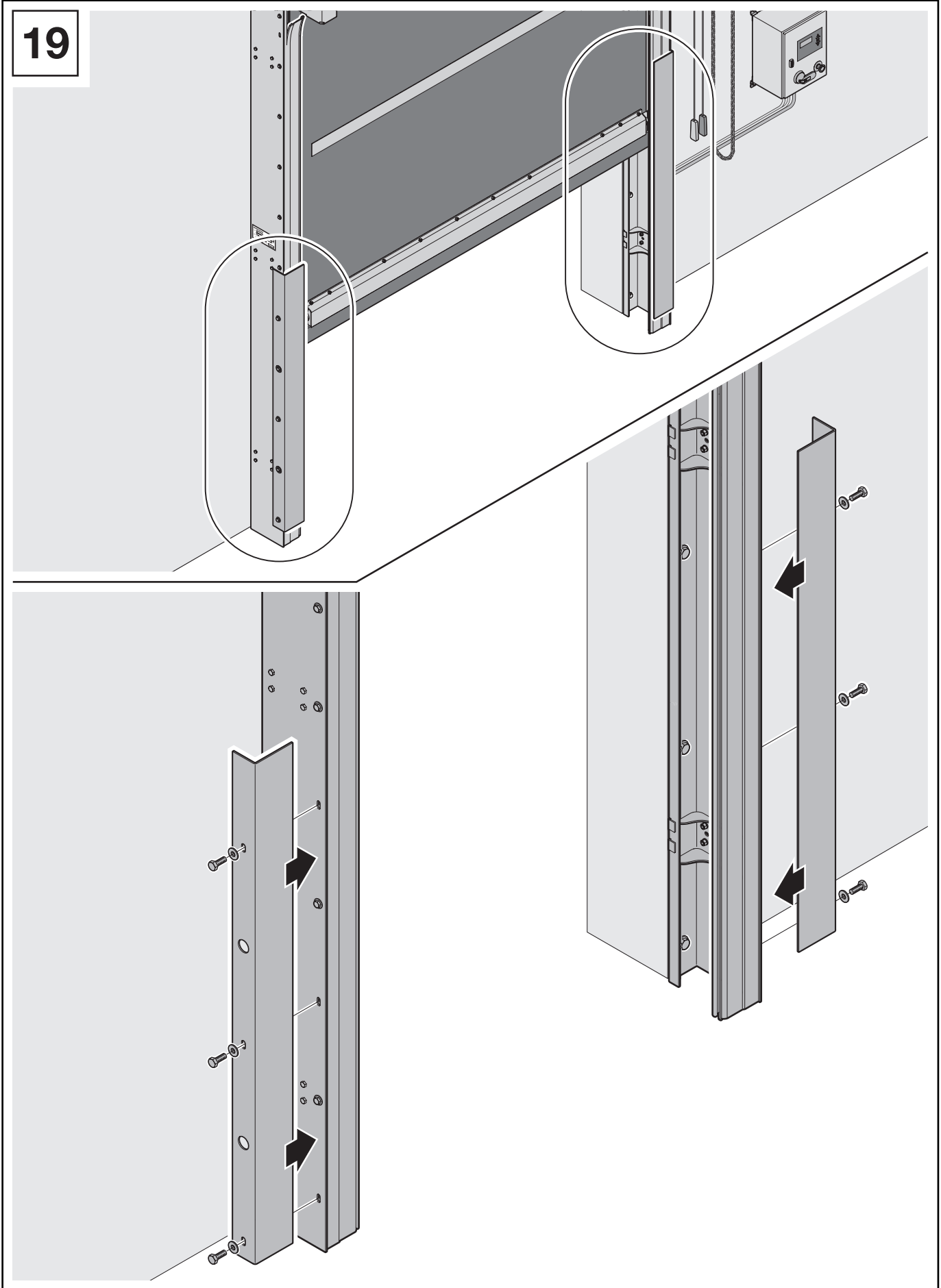
18d.1

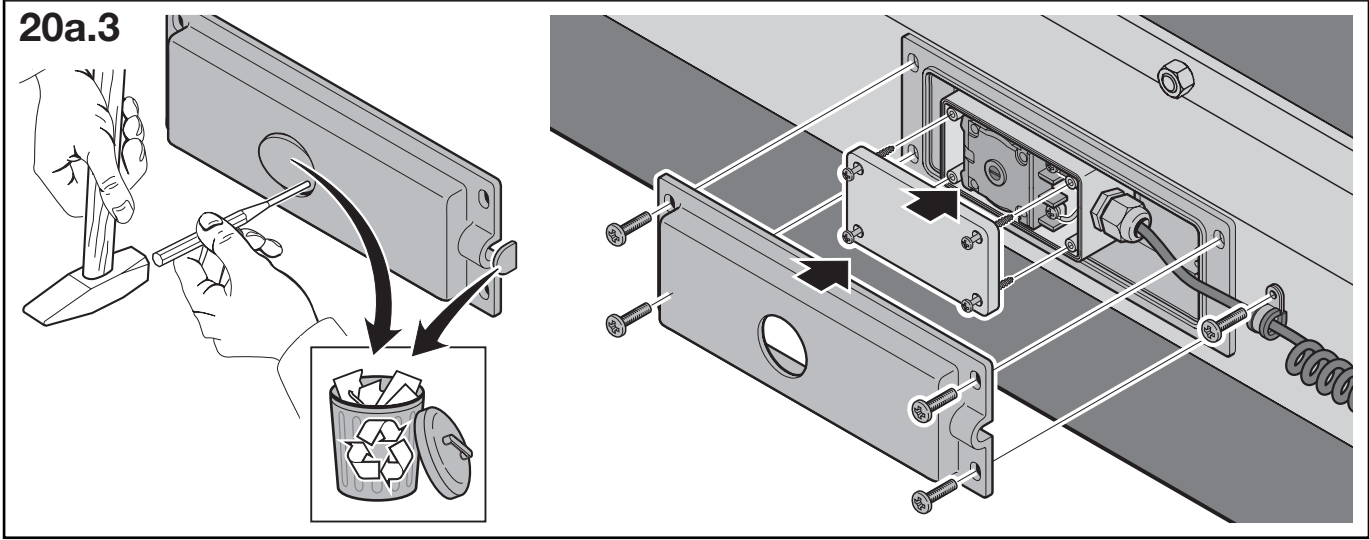
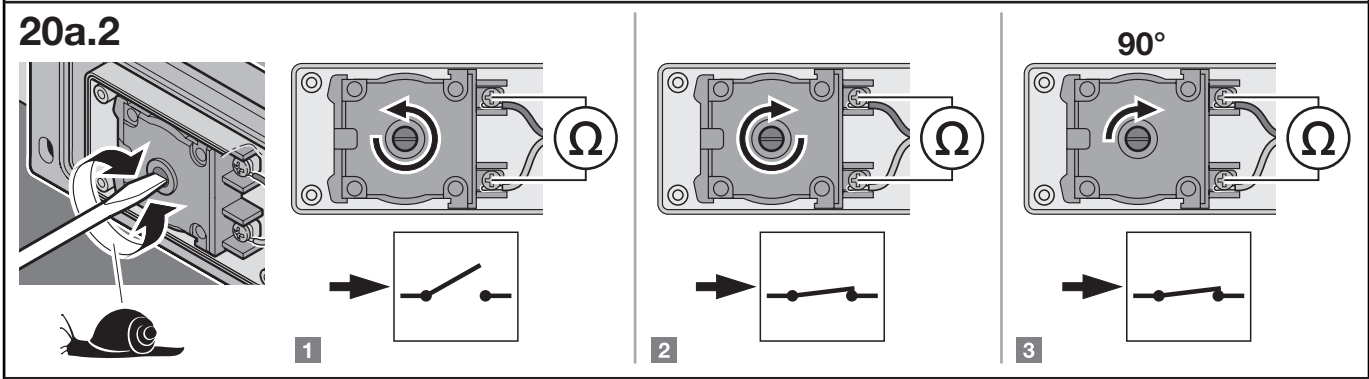
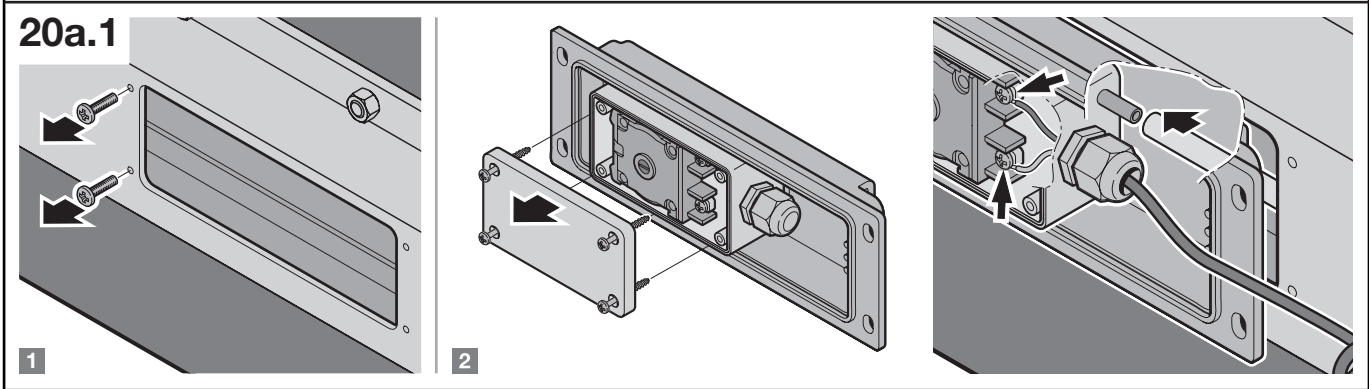
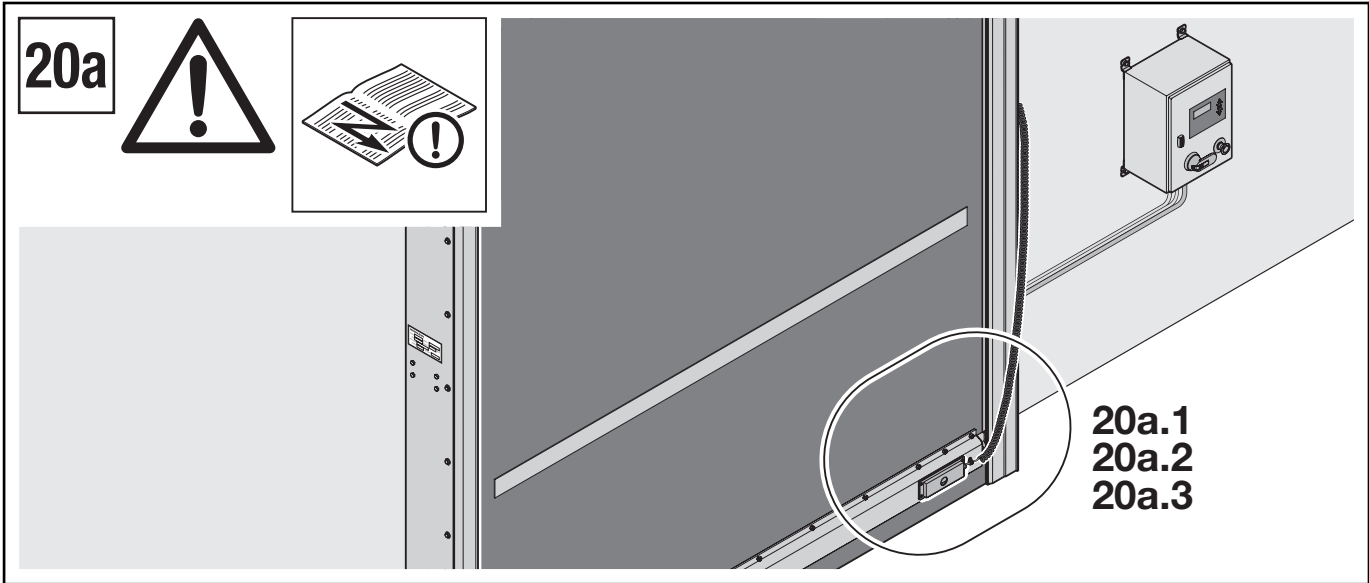


18d.2

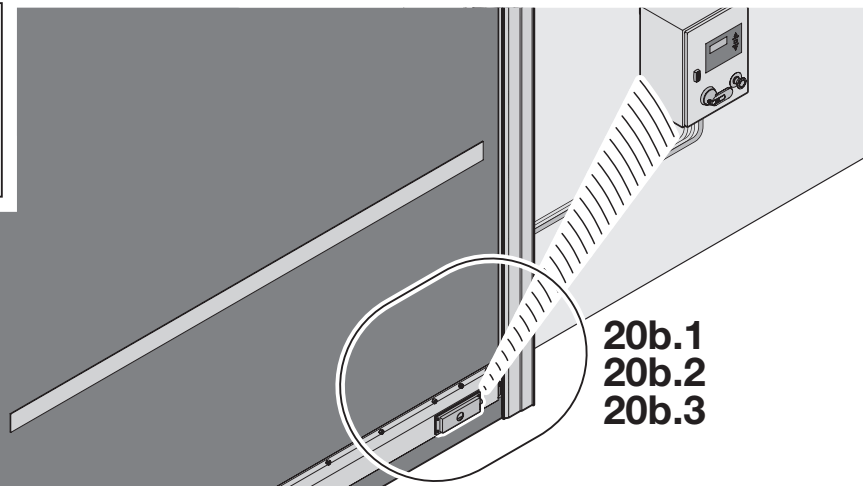


19



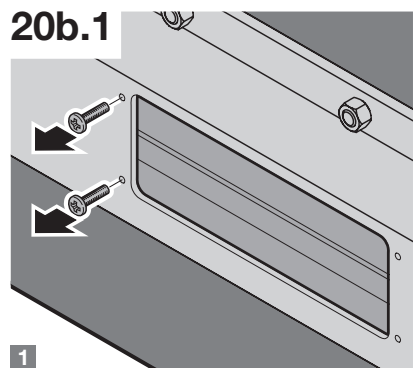


20b

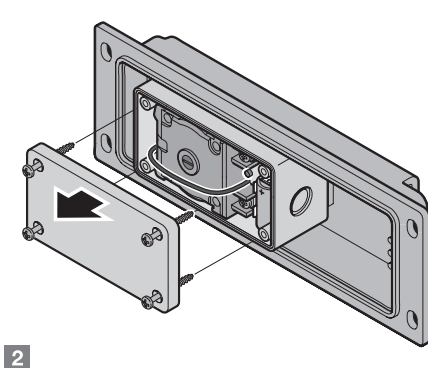


20b.1  
20b.2  
20b.3

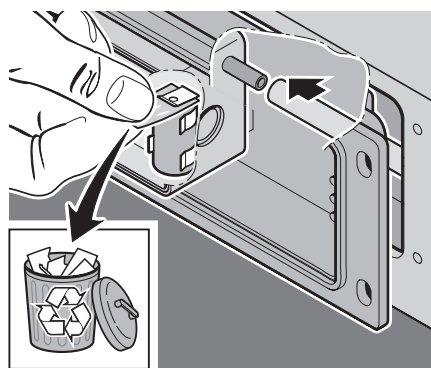
20b.1



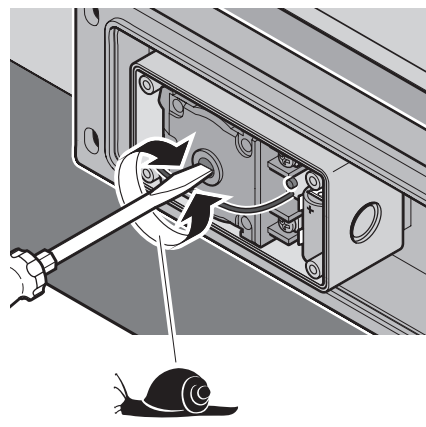
1



2

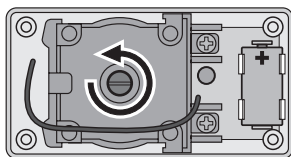


20b.2



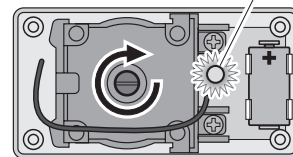
2 x 360°

1



GN

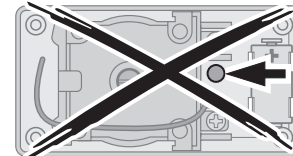
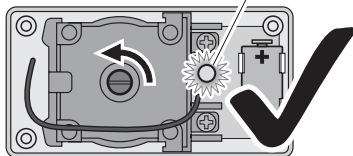
2



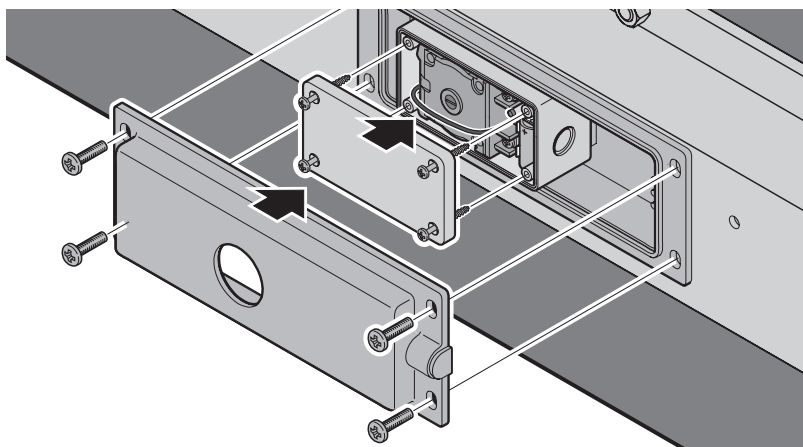
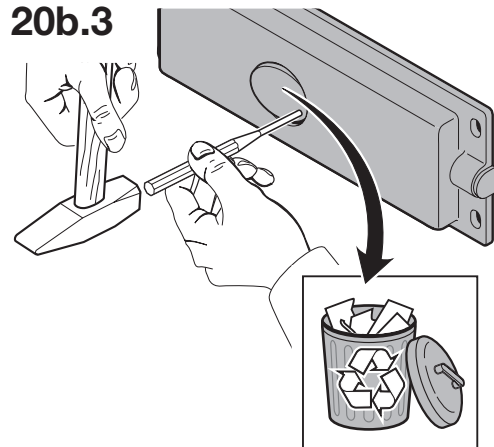
45°

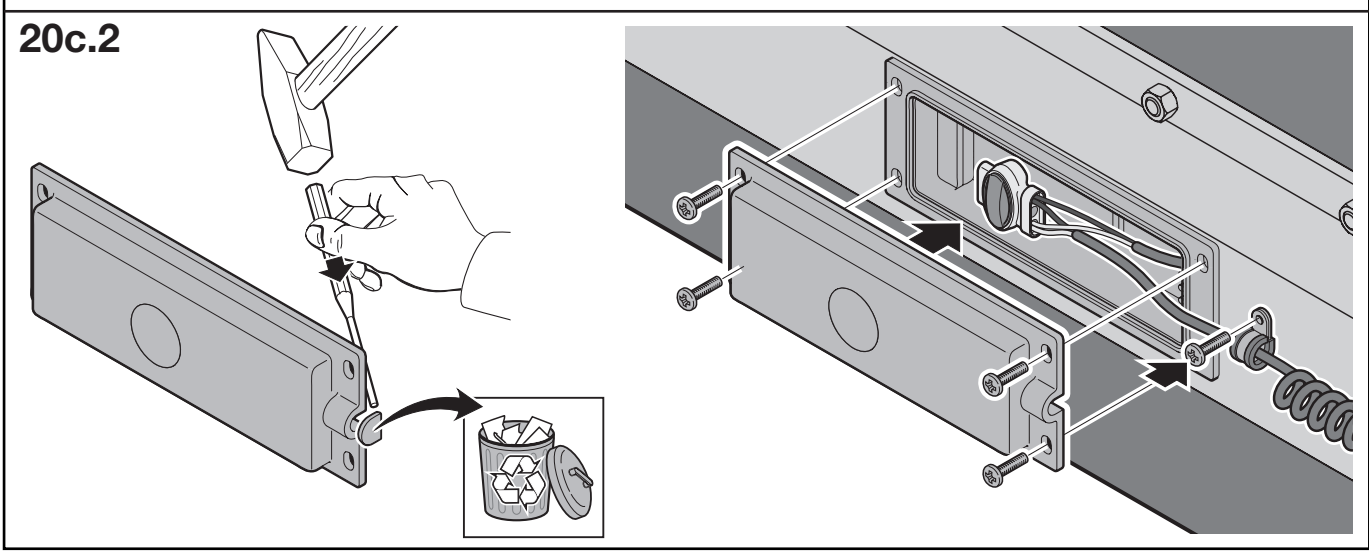
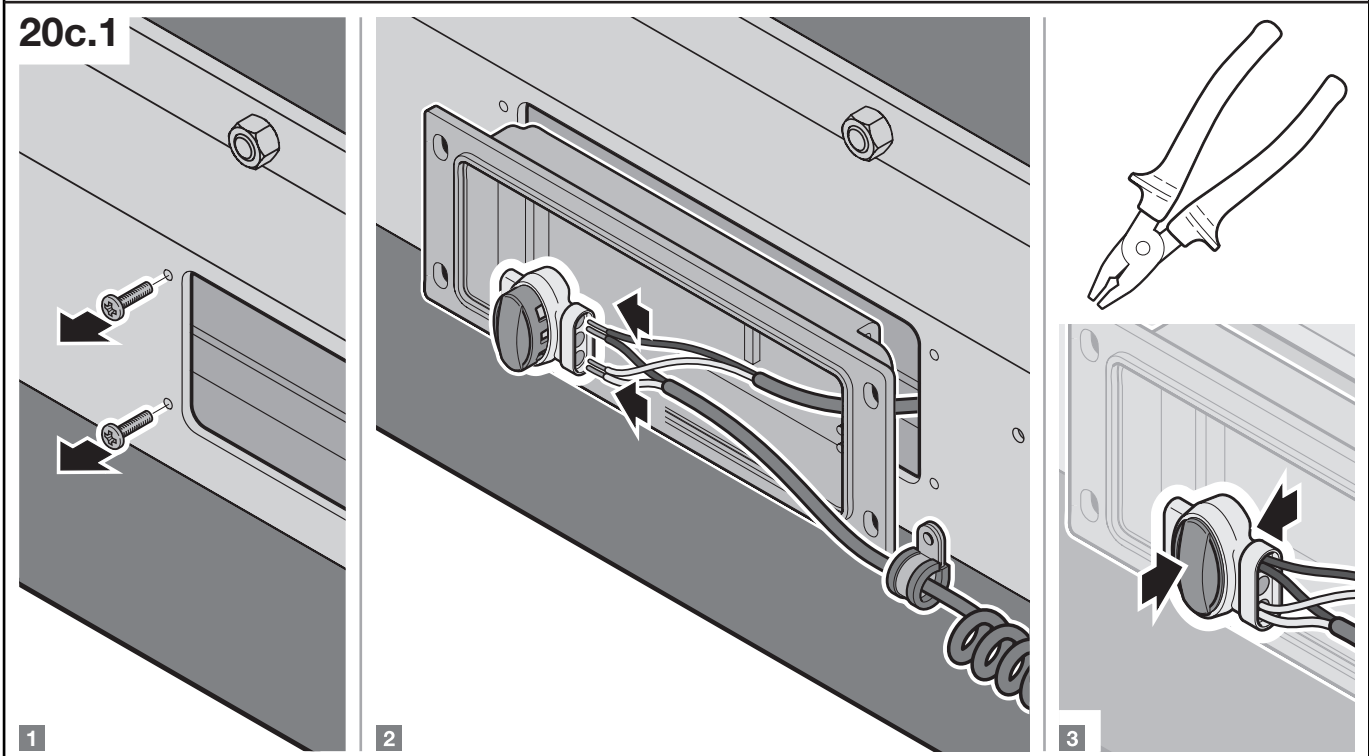
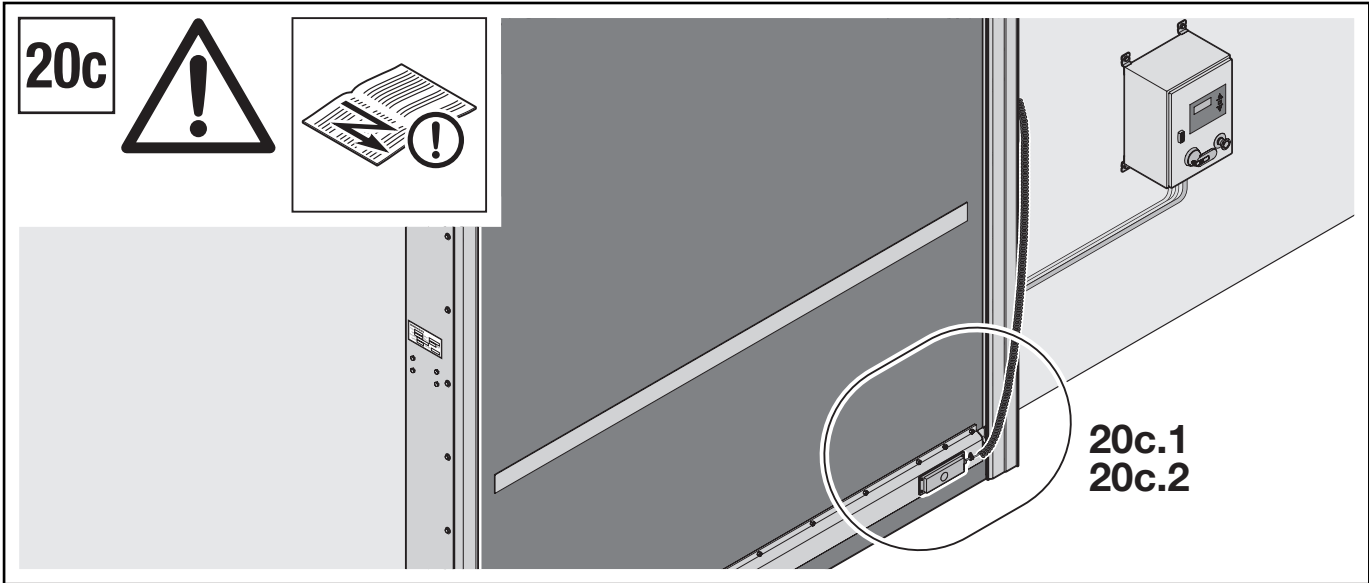
GN

3

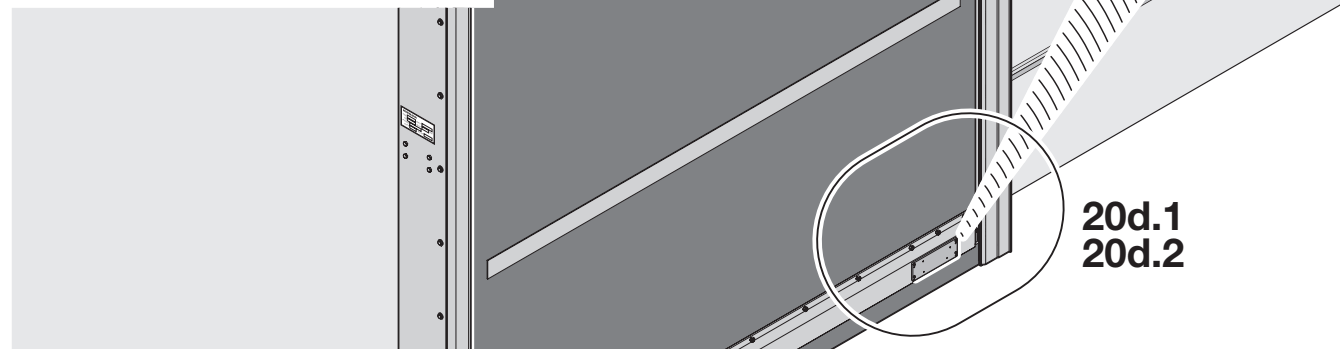


20b.3



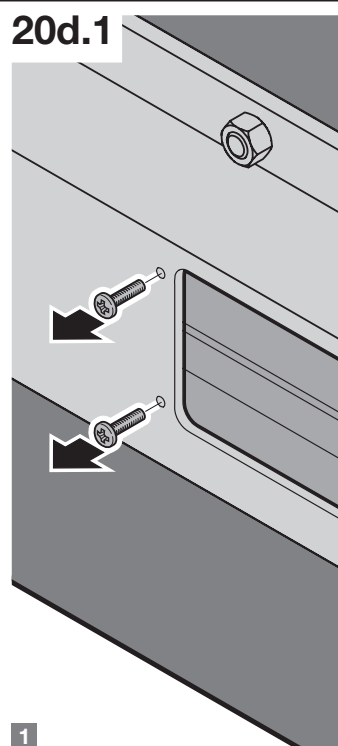


20d

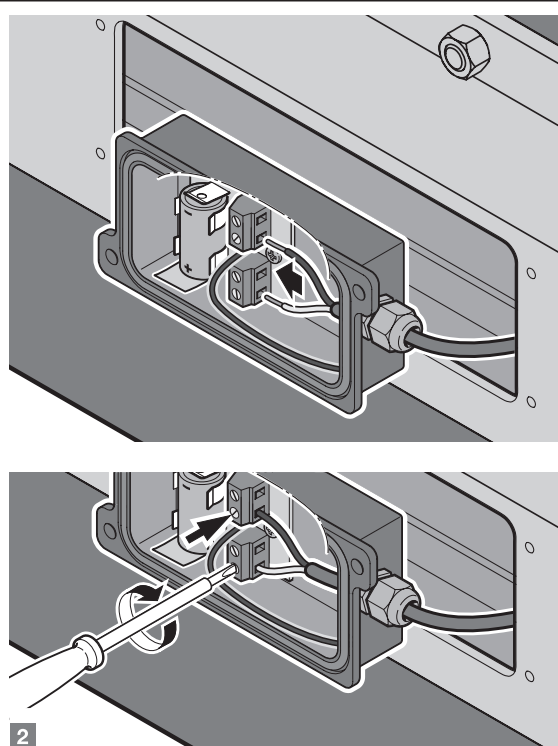


20d.1  
20d.2

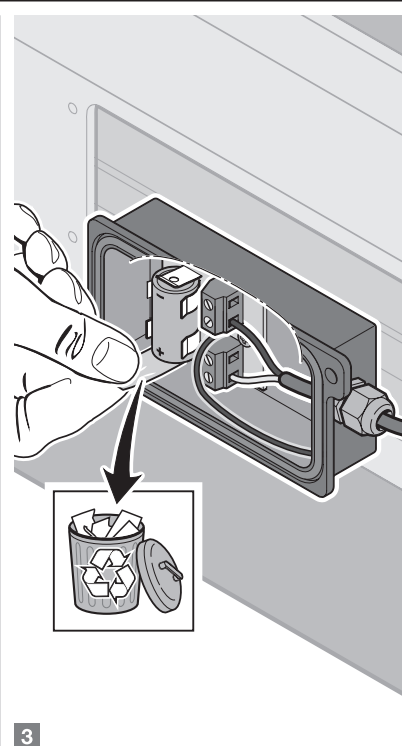
20d.1



1

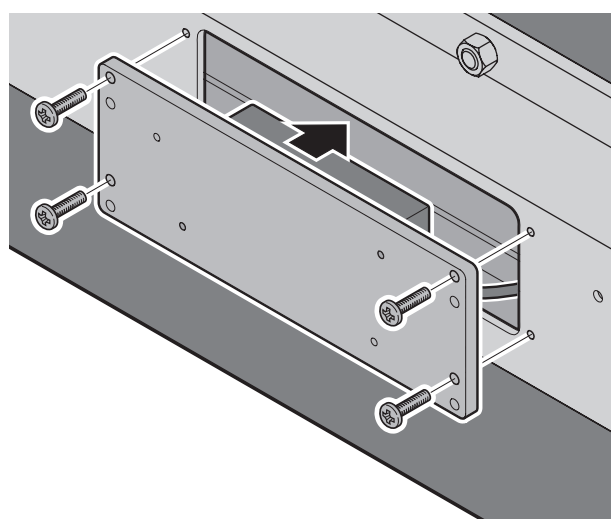
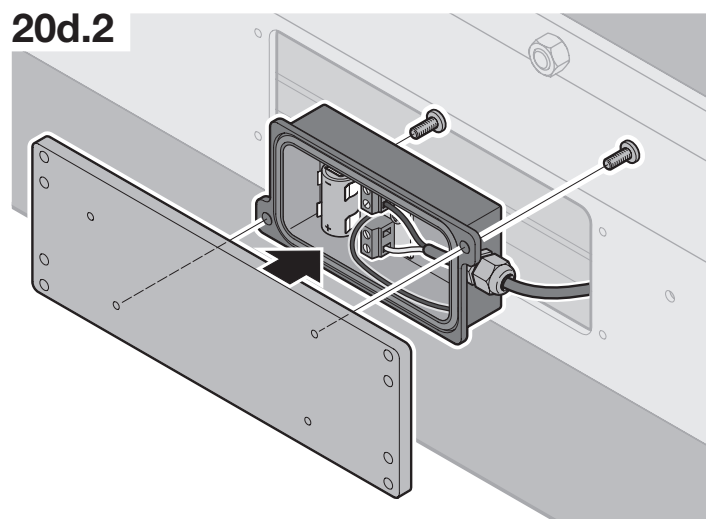


2

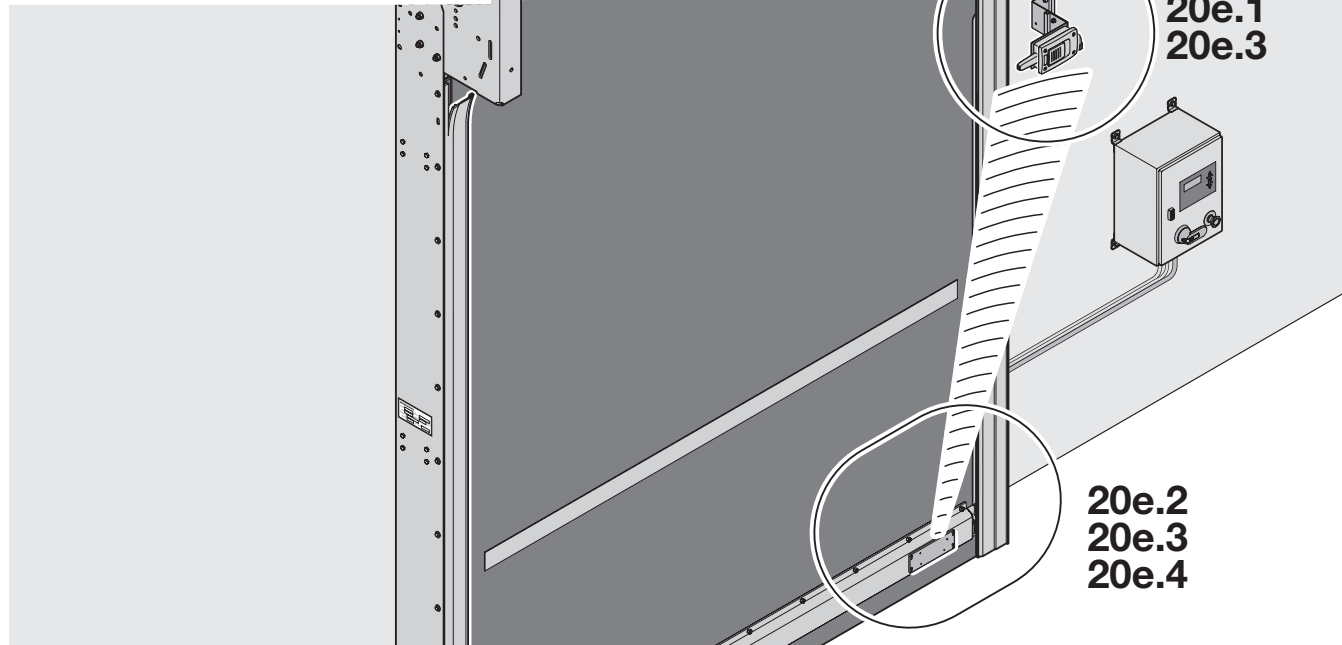
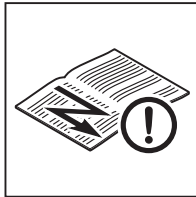


3

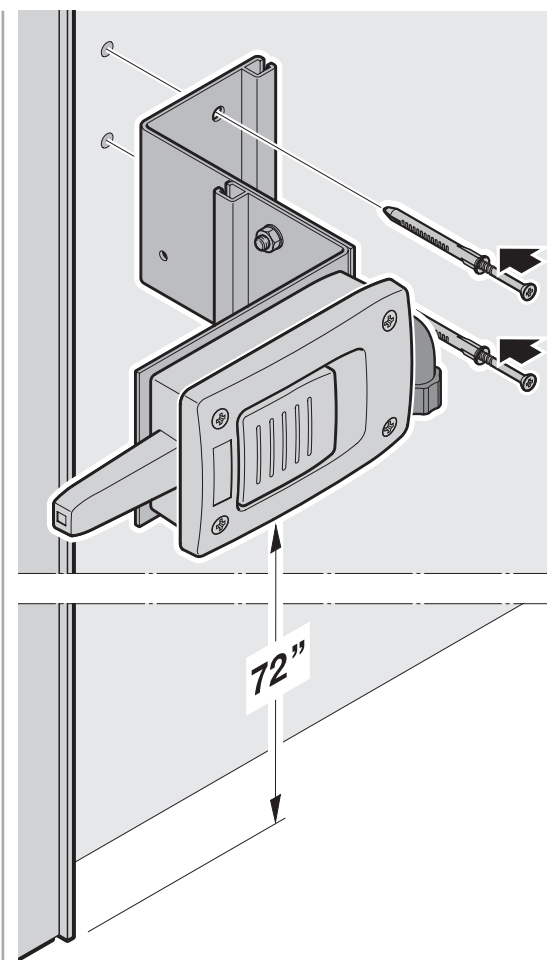
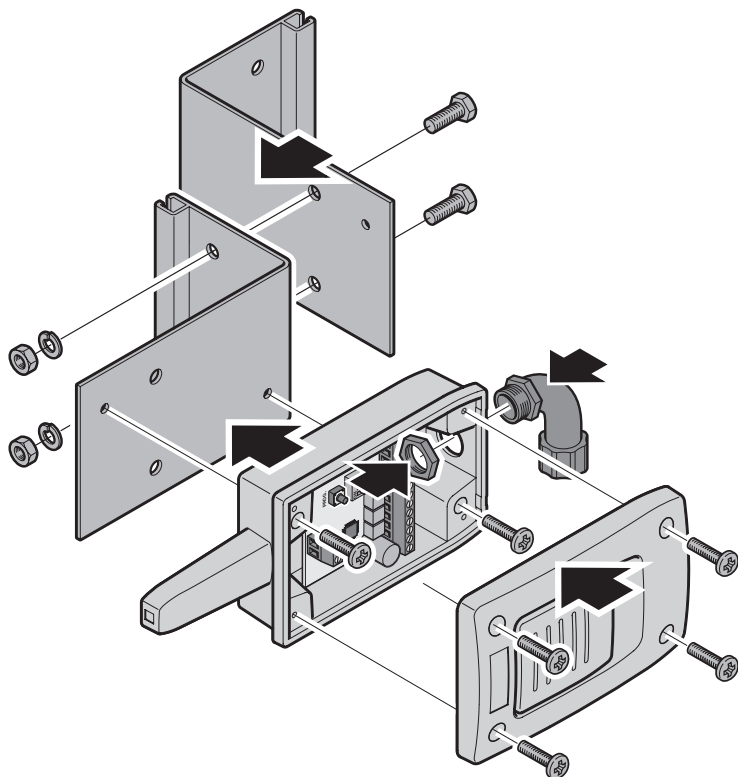
20d.2



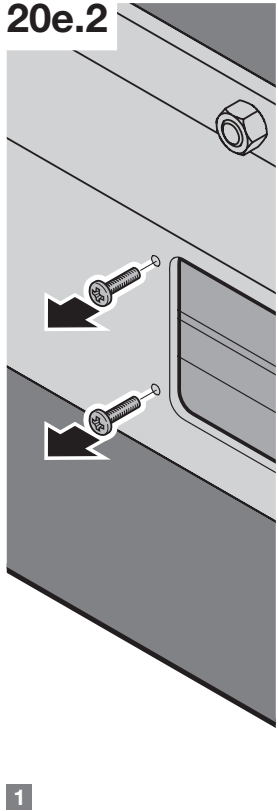
20e



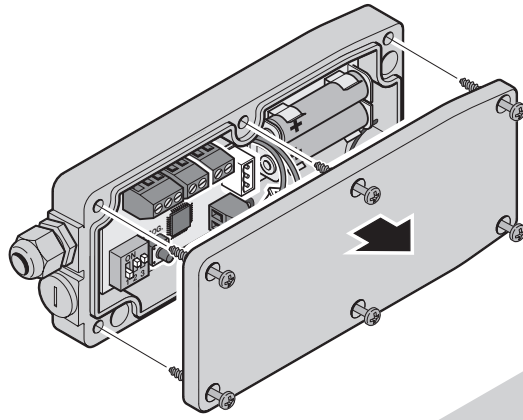
20e.1



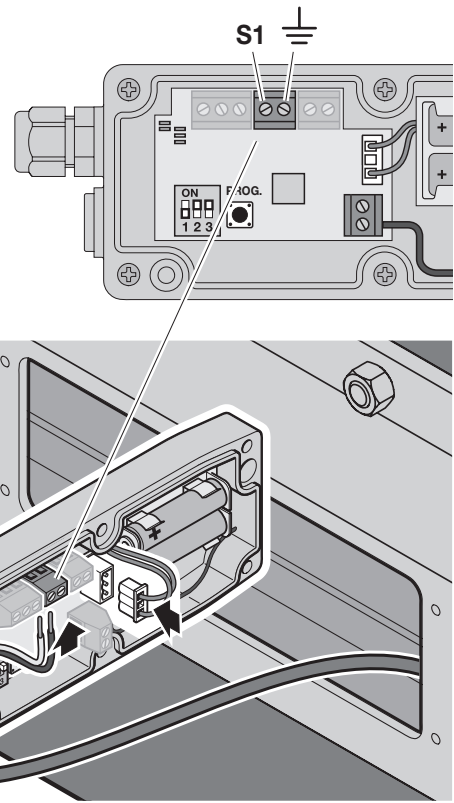
### 20e.2



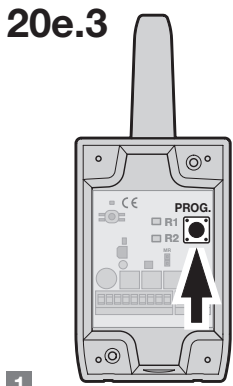
1



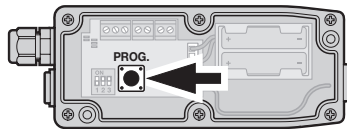
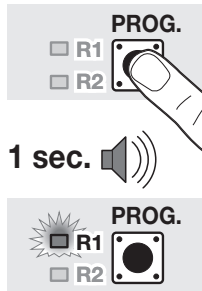
2



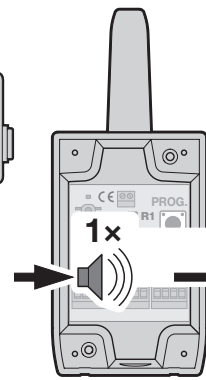
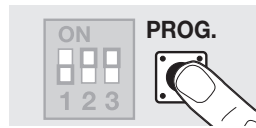
### 20e.3



1

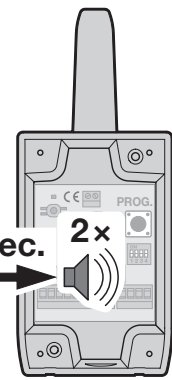


2

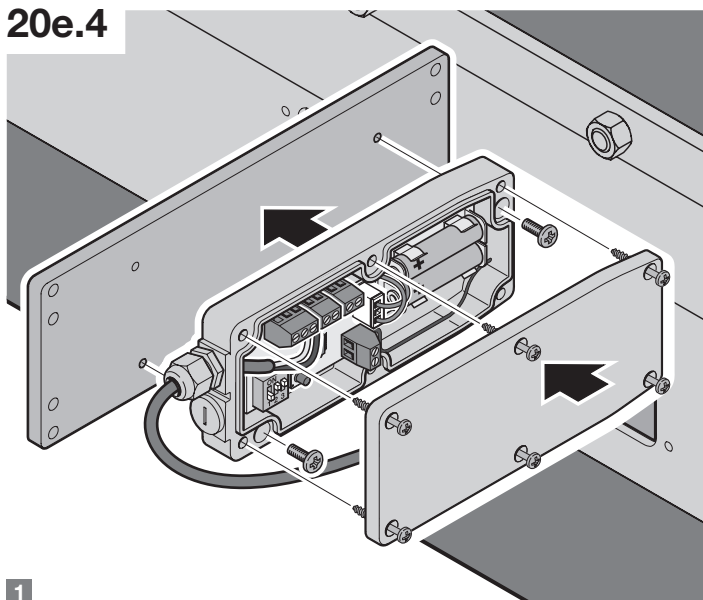


3

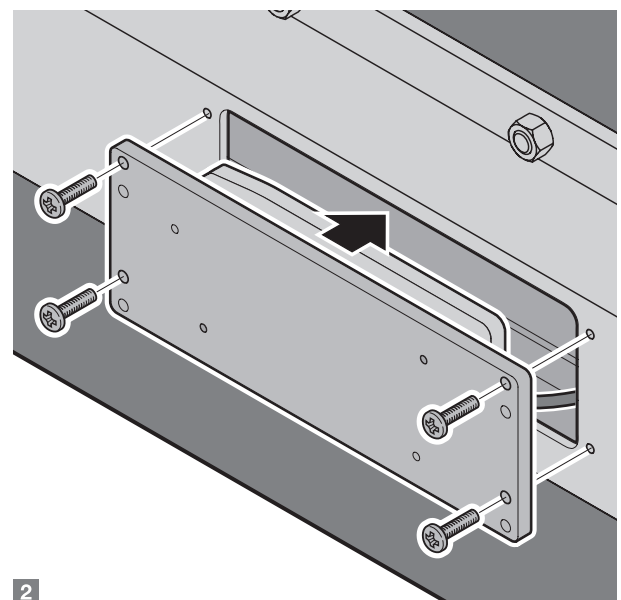
10 sec.



### 20e.4

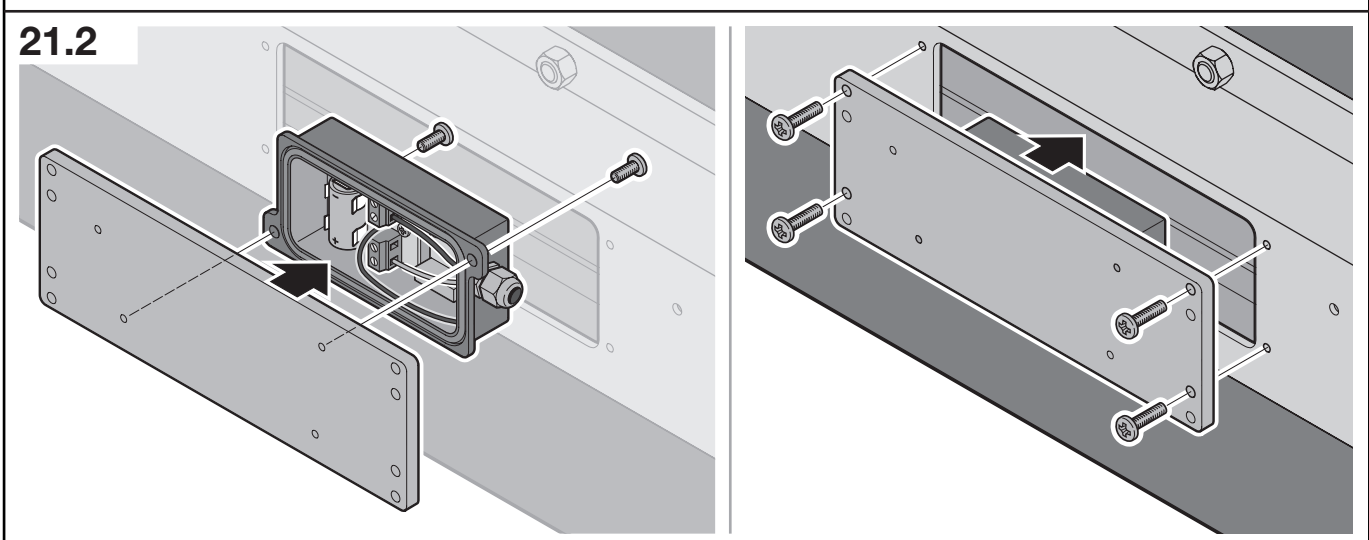
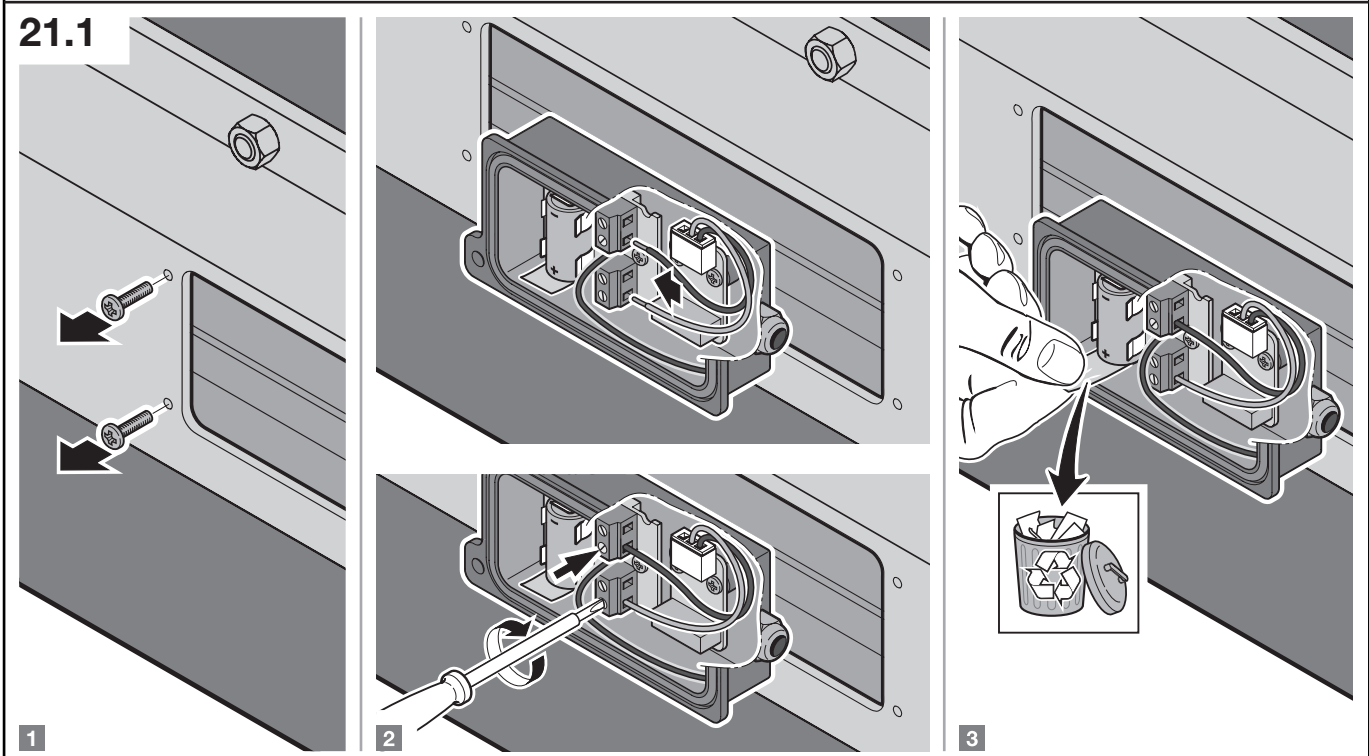
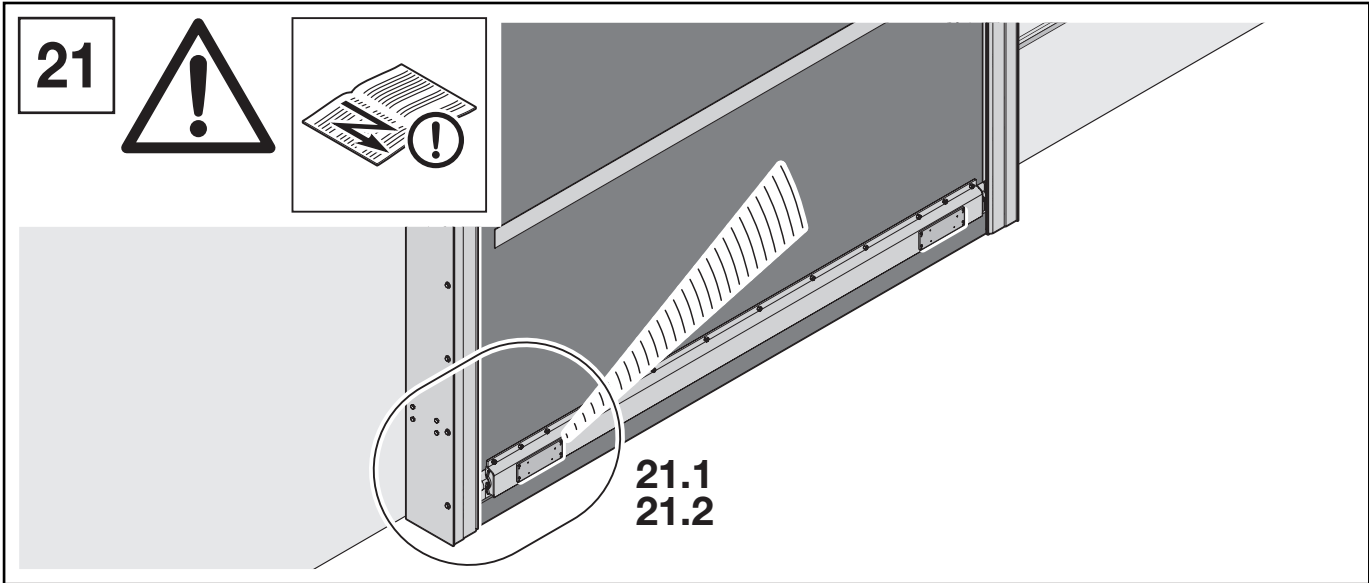


1

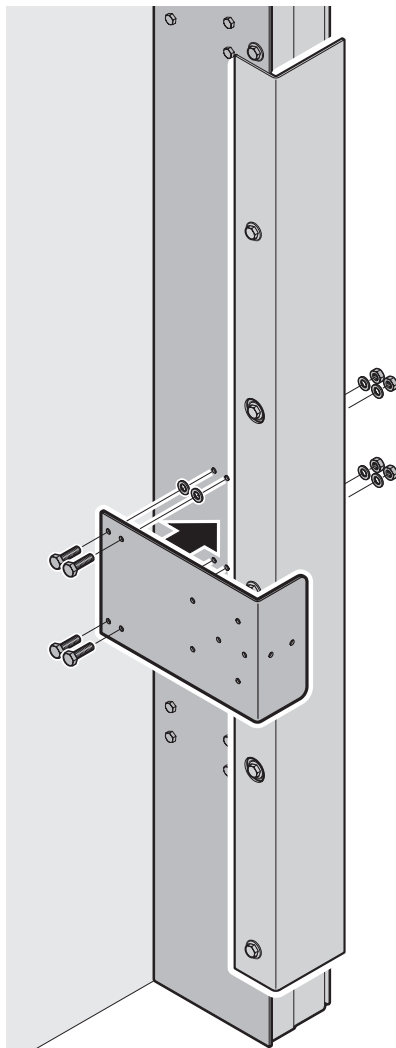
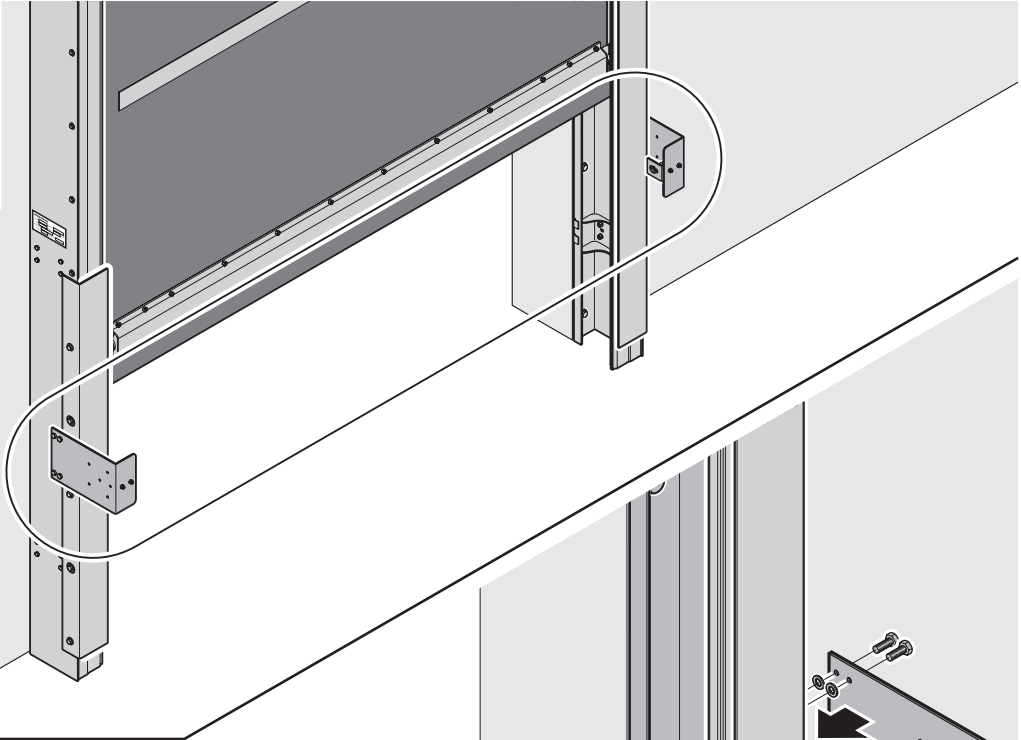


2

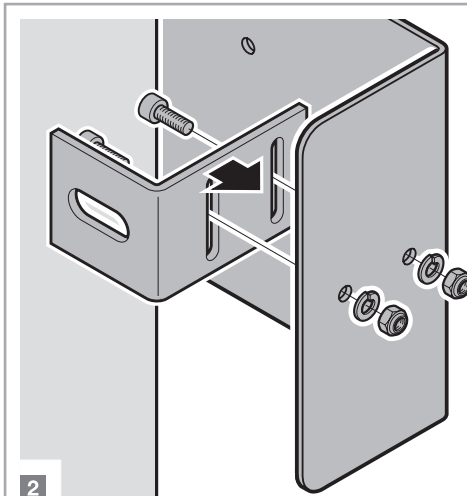
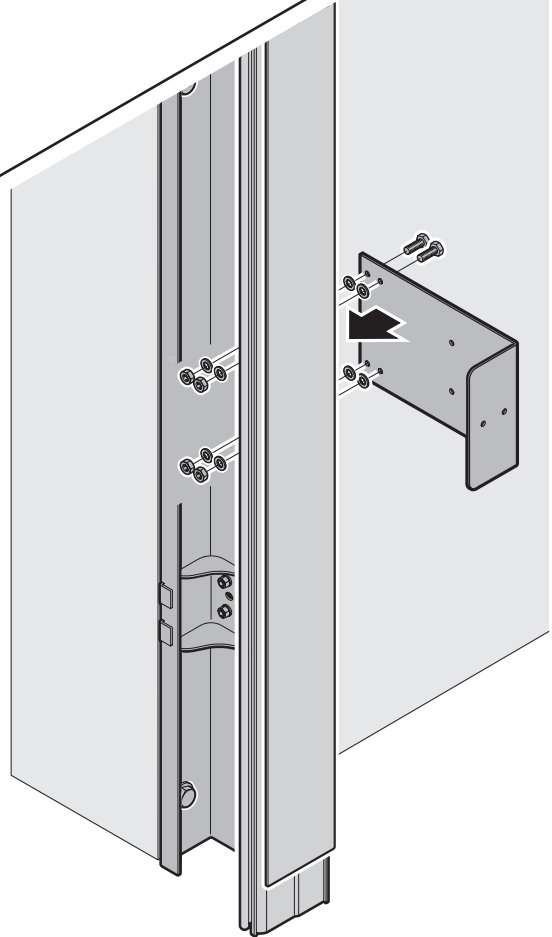




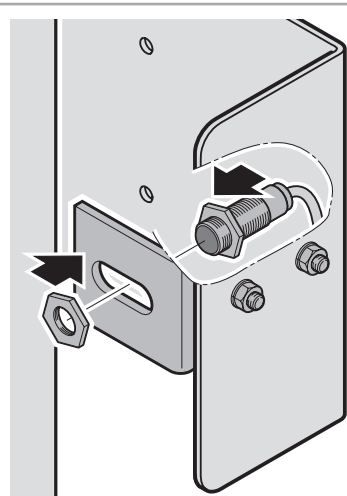
22



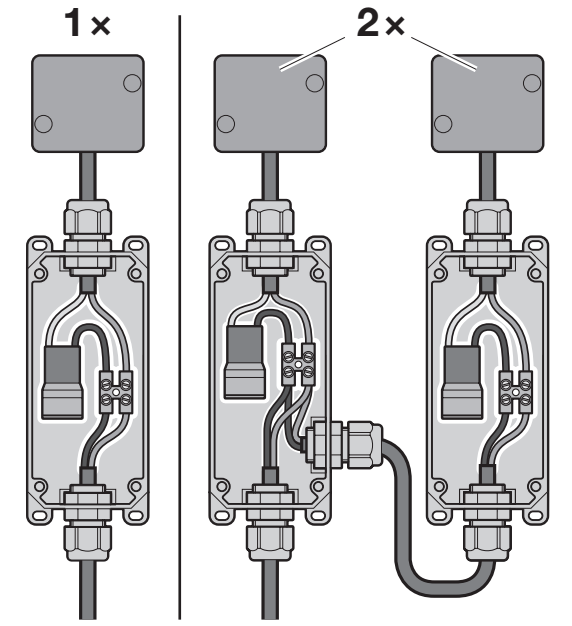
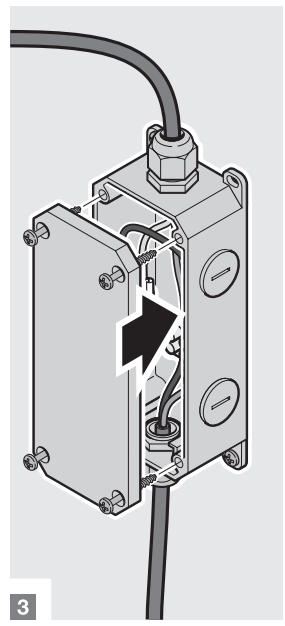
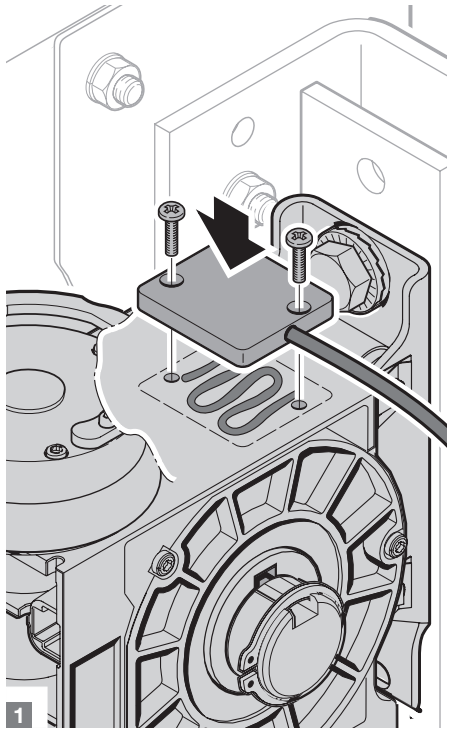
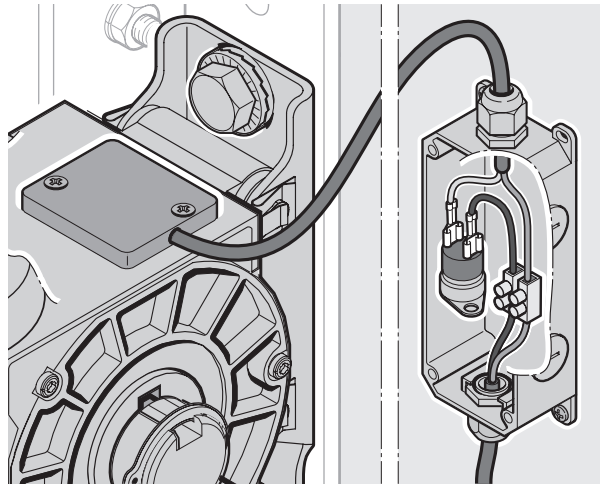
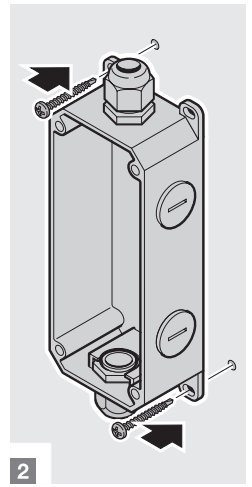
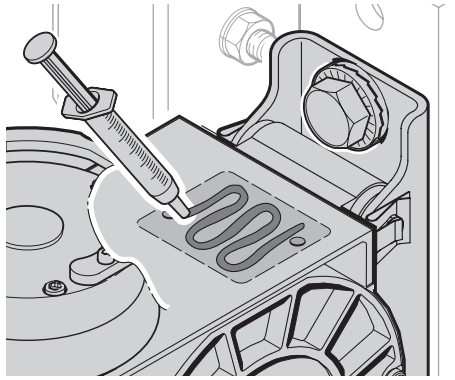
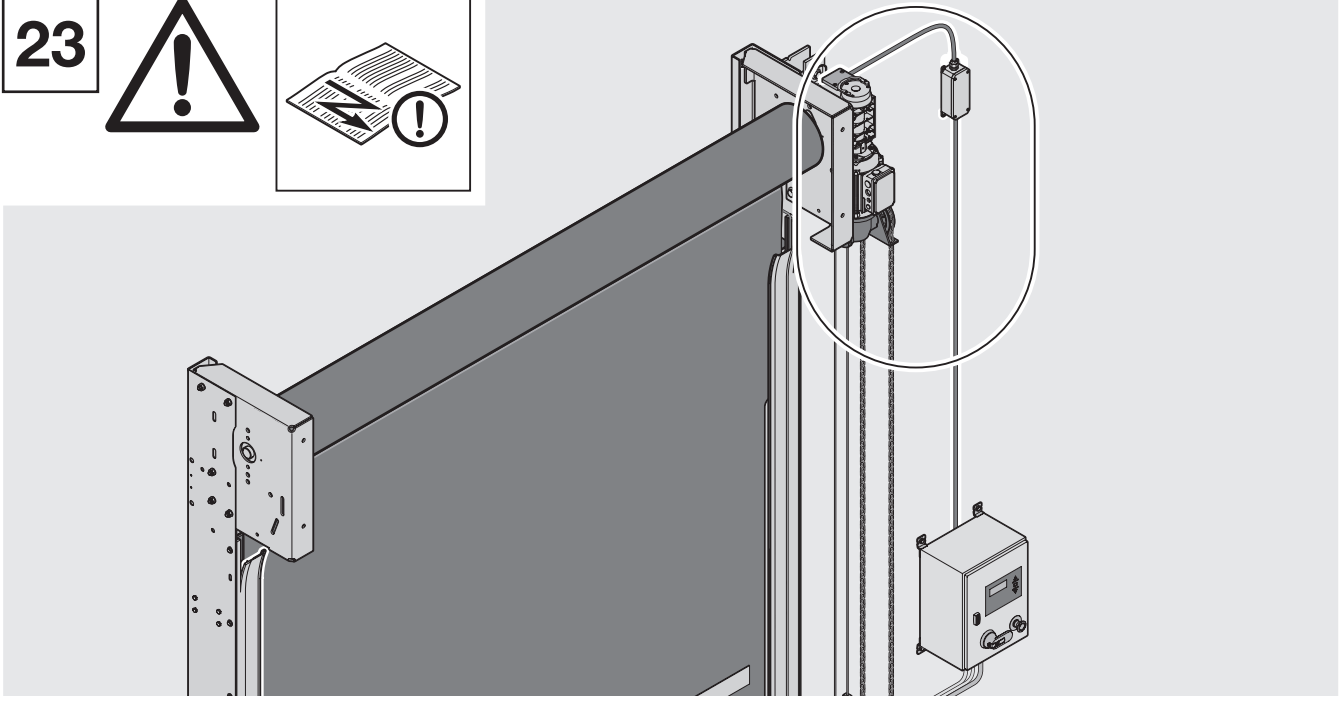
1



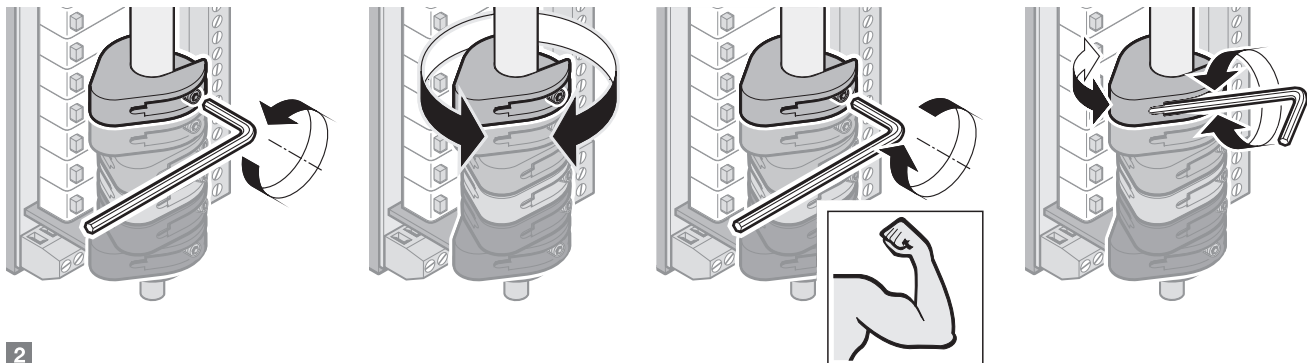
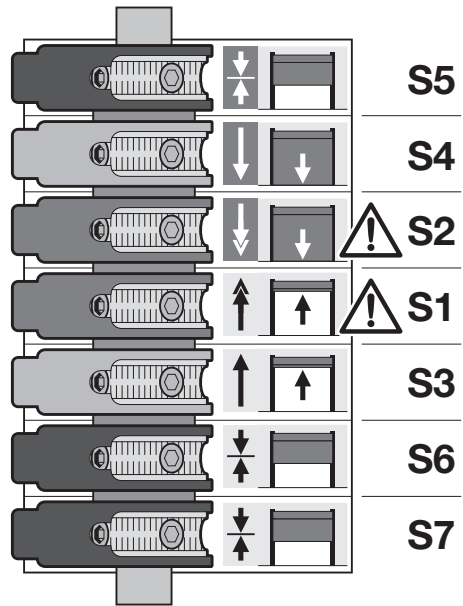
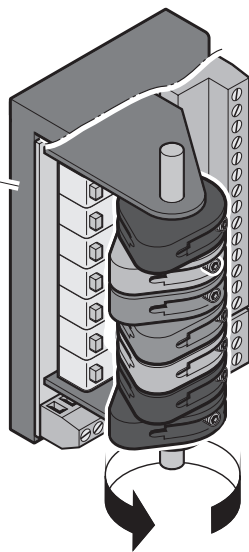
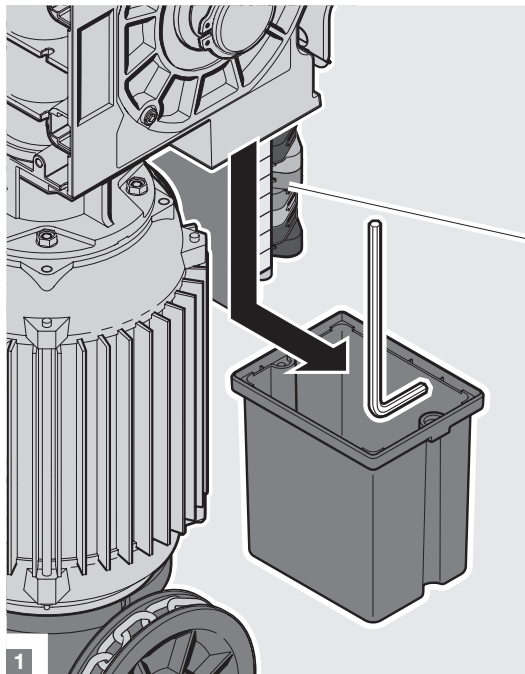
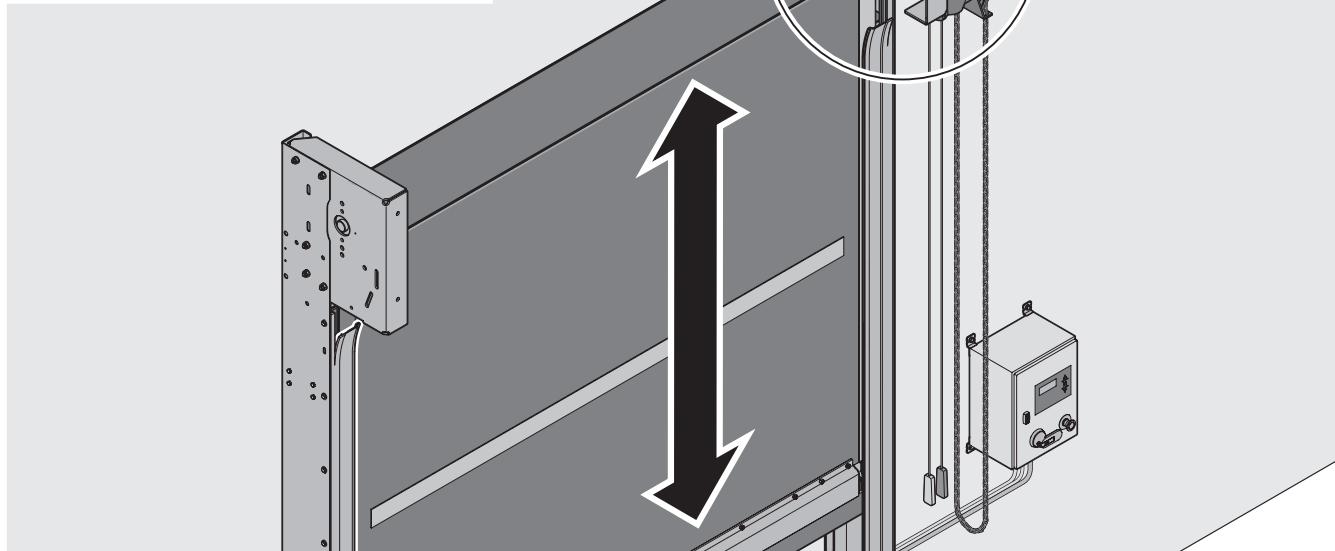
2



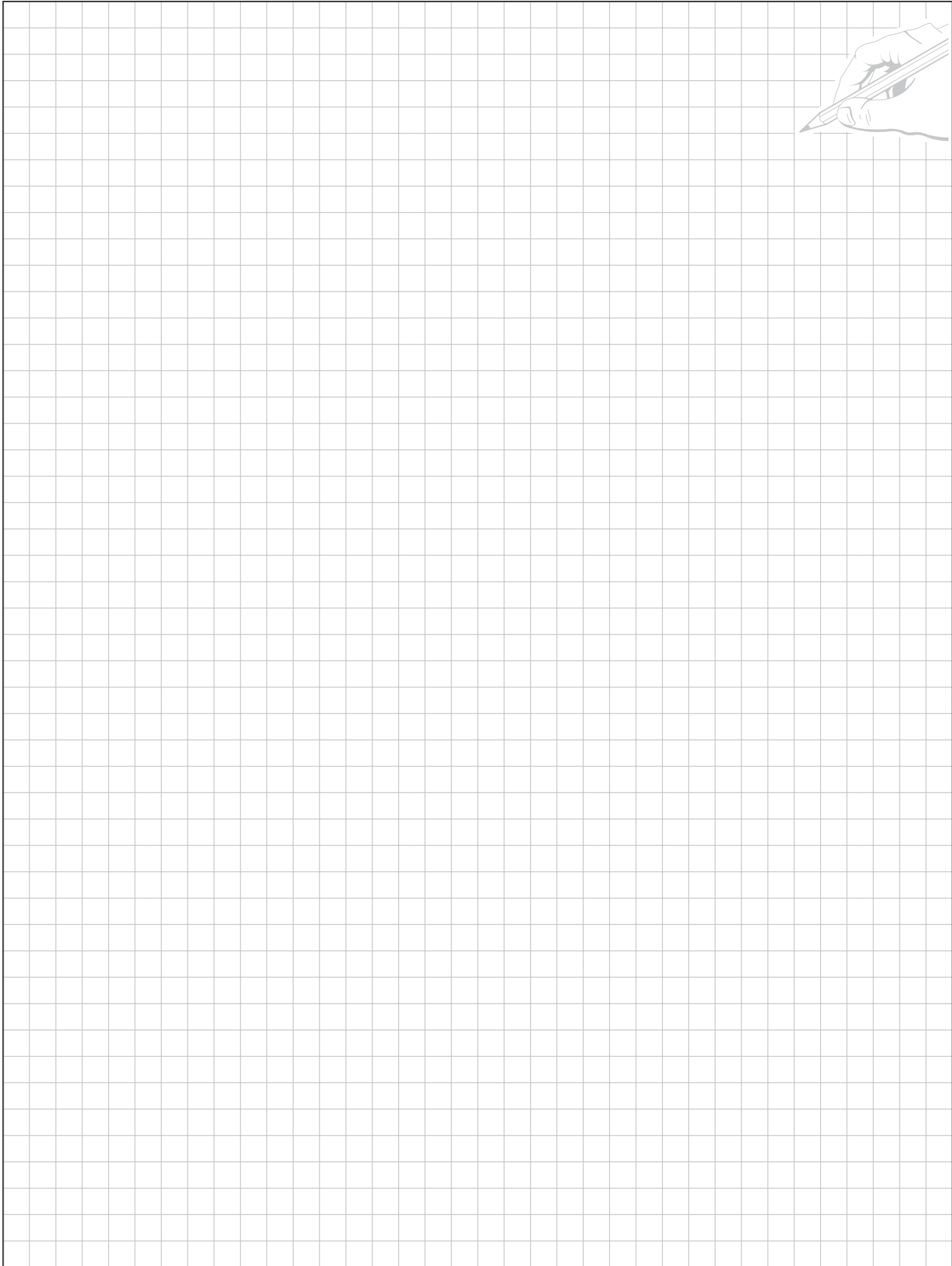
23



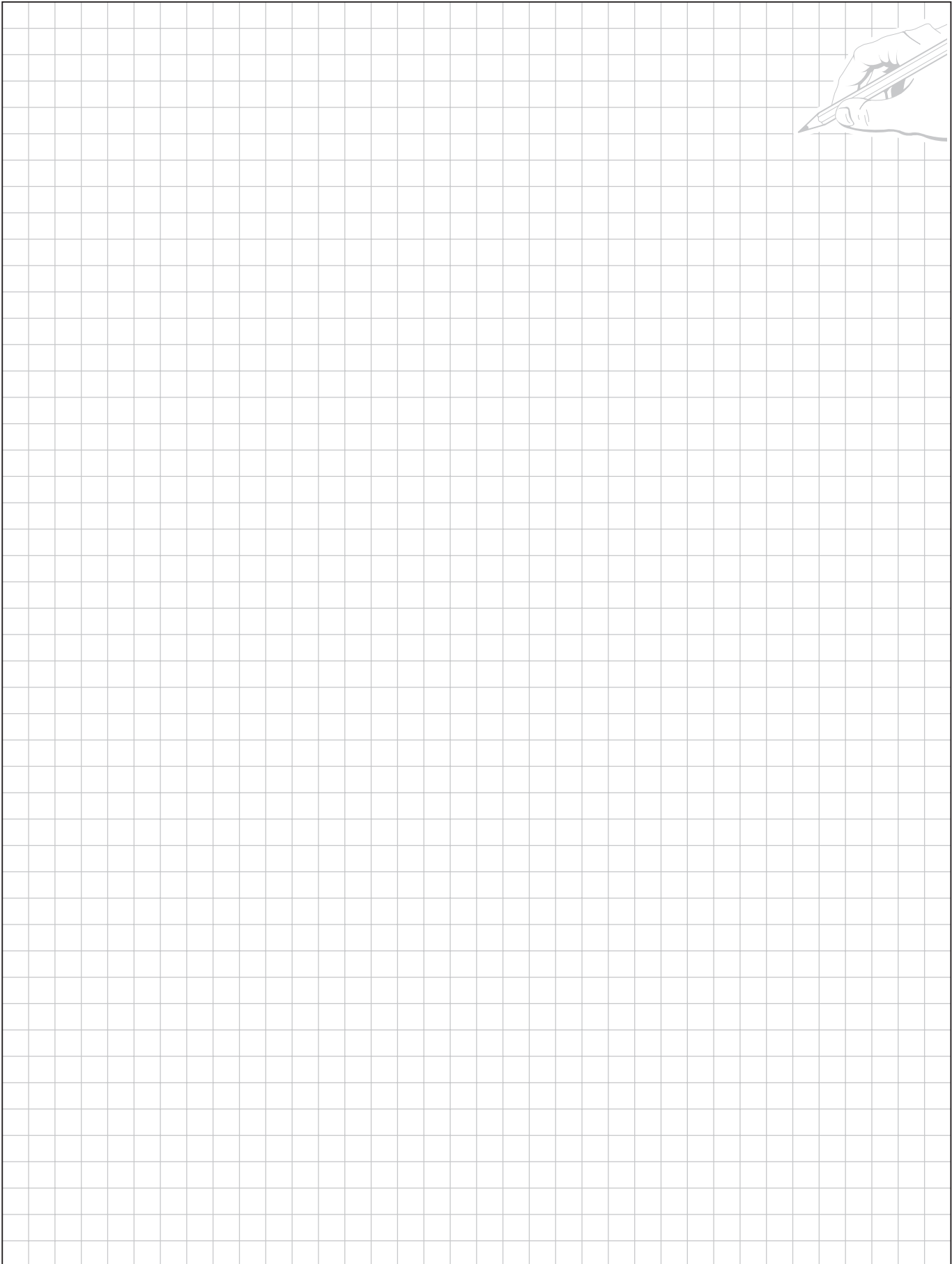
24



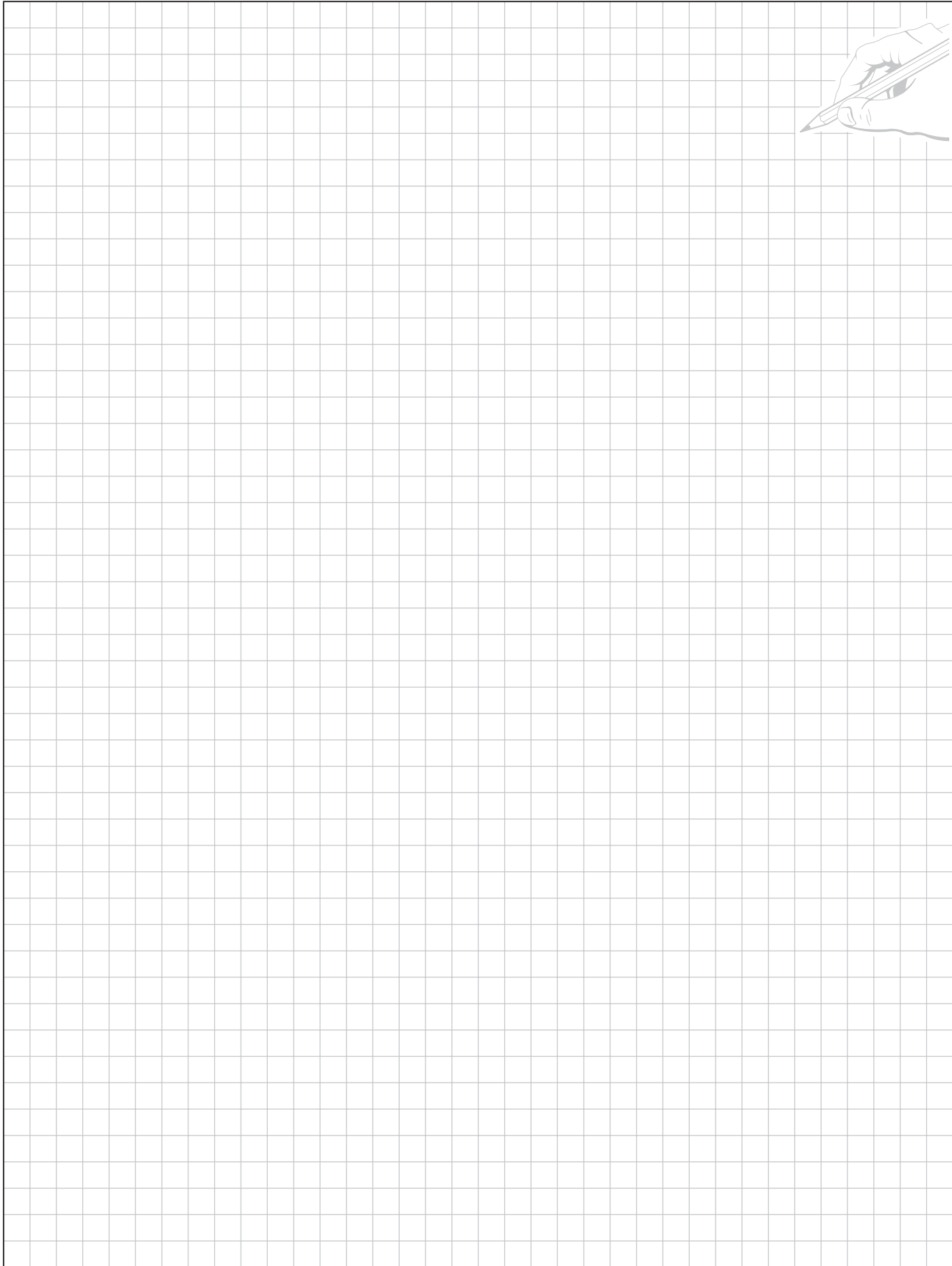
**NOTES**



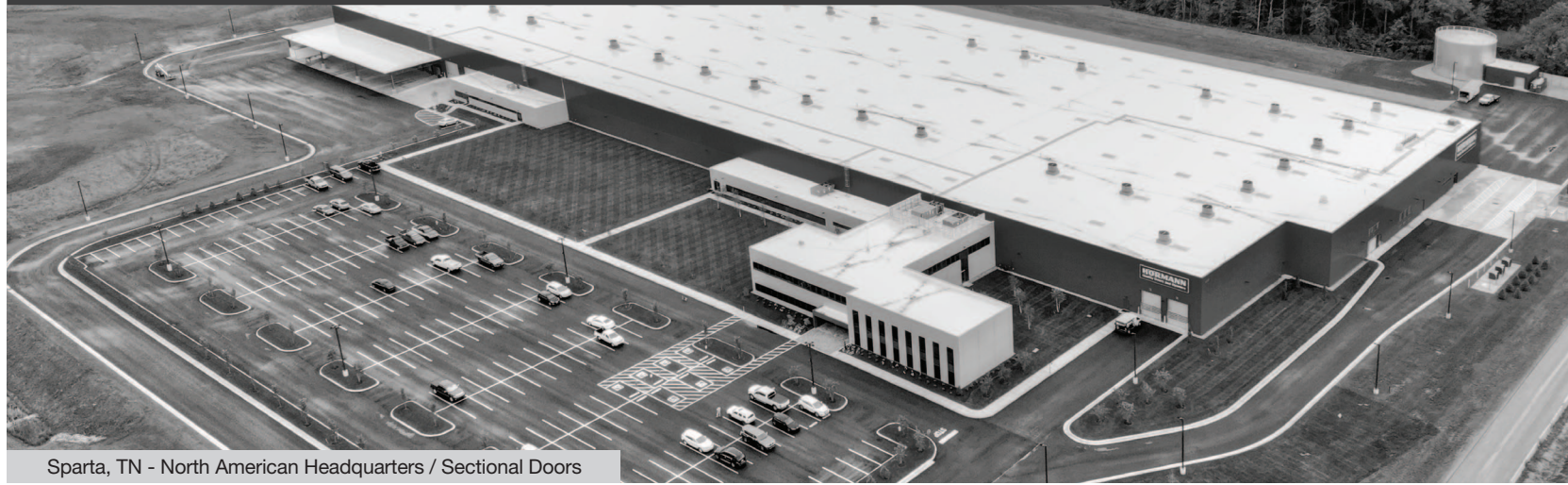
**NOTES**



**NOTES**



# HÖRMANN NORTH AMERICA



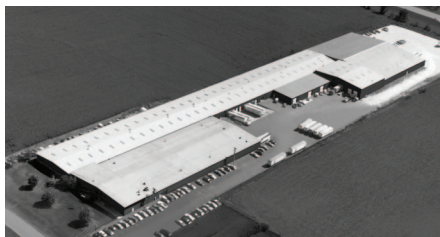
Sparta, TN - North American Headquarters / Sectional Doors

## FIVE PRODUCTION PLANTS, ONE FAMILY

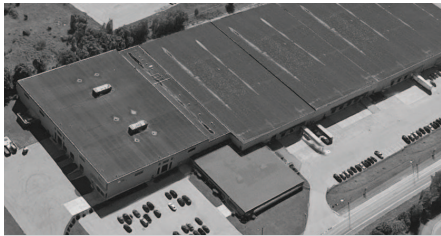
As one of the world's leading manufacturers of doors we're committed to providing the best quality, value, and selection. Whether residential, commercial or industrial, we have the door you're looking for. Each Hörmann product gives you the perfect array of benefits and options to satisfy your customers.



Puyallup, WA - Sectional Doors



Montgomery, IL - Sectional Doors



Barrie, ON (CAN) - High Performance Doors



Burgettstown, PA - High Performance Doors

**USA**  
Toll Free: 800.365.3667  
Email: [info2@hormann.us](mailto:info2@hormann.us)  
Website: [hormann.us](http://hormann.us)

**Canada**  
Toll Free: 866.792.9968  
Email: [info@hormann.ca](mailto:info@hormann.ca)  
Website: [hormann.ca](http://hormann.ca)



AVAILABLE FROM:



**HÖRMANN**