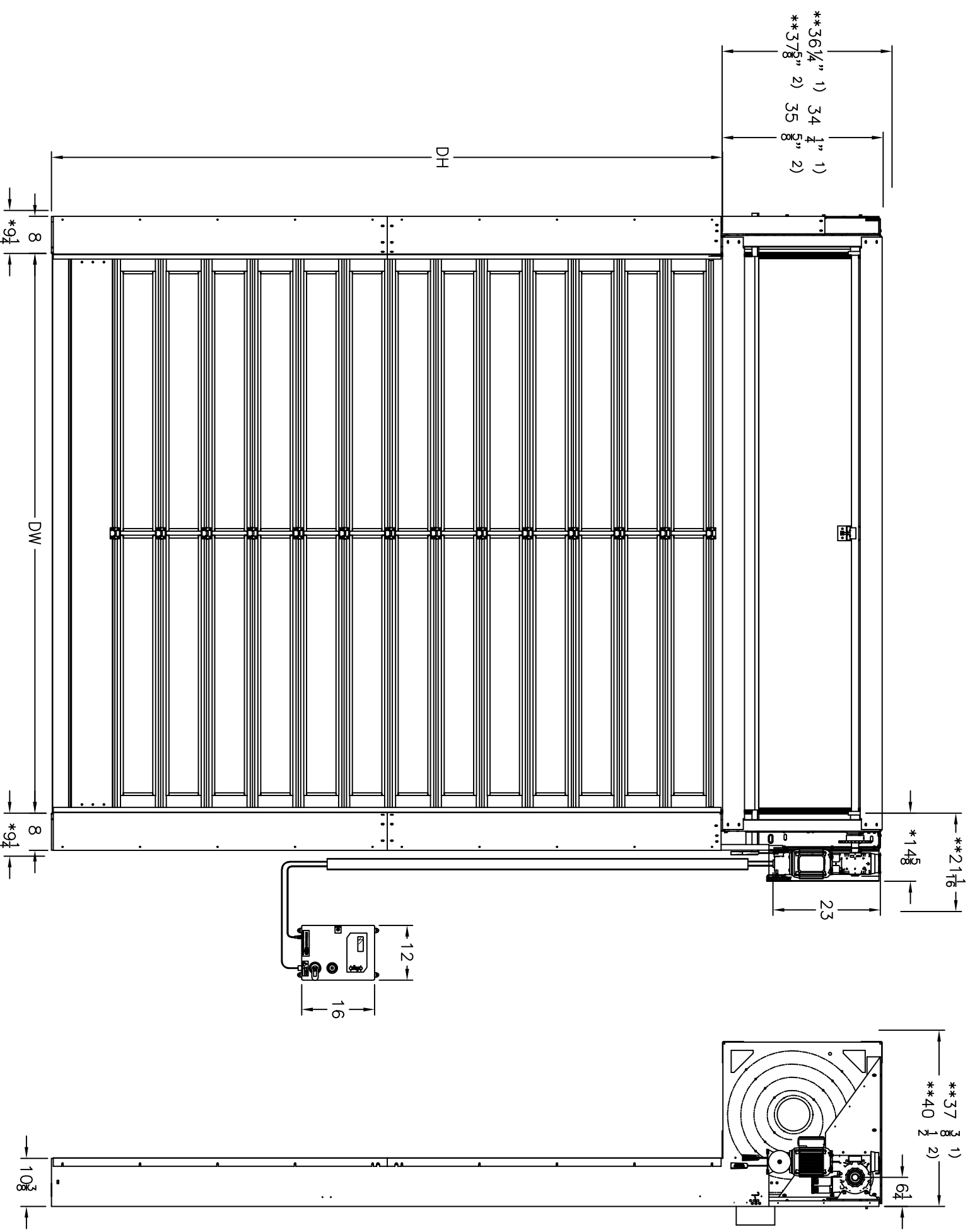
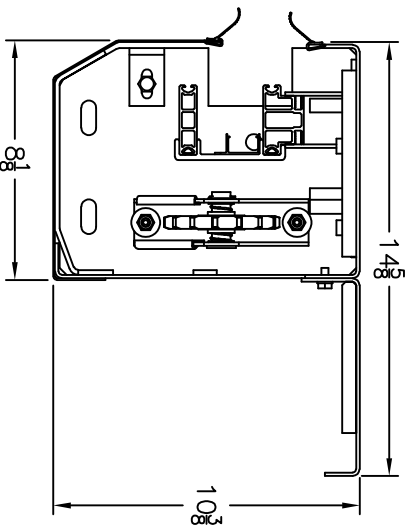


MODEL:	SPEED GUARDIAN 5000U-42		
CUSTOMER:	-		
ADDRESS:	-		
CITY & STATE:	-		
DOOR#:	-		
LOCATION:	-		
COMPANY:	-		
SIZE:	DW=	DH=	
MOTOR LOCATION:	RIGHT	LEFT	
CONTROL BOX LOCATION:	RIGHT	LEFT	
VOLTAGE:	***208-240V	360-480V	
WIRING:		NXT X	
VISION AREA:			
# OF VISION PANELS:	-	STARTING AT 12"	
# OF PERFORATED PANELS:	-	STARTING AT	-"
OPTIONS:			
LIGHT ADVANCE			-
RADIO RECEIVER w/ 3 BUTTON TRANSMITTER			-
M2M SYSTEM			-
PAINTED SLATS BOTH SIDES			-

NOTES:
Please Choose: Motor Location, Control Box Location, and Voltage



- 1) DH ≤ 177"
- 2) DH > 177" ≤ 192"

ALL DIMENSIONS ARE IN INCHES.

*FITTING CLEARANCE.

**SPACE REQUIRED TO FIT AND DISMANTLE THE OPERATOR.

***TRANSFORMER REQUIRED FOR 208-240 VOLTS

CONTROL BOX PROJECTION IS 6 INCHES.

DRAWING SHOWN RIGHT HAND, LEFT HAND OPPOSITE.

DRAWING NOT TO SCALE PANEL NOT REPRESENTATIVE OF DOOR SIZE

WE RESERVE THE RIGHT TO CHANGE SPECIFICATIONS WITHOUT NOTICE



HÖRMANN FLEXON LLC
STARPOINTE BUSINESS PARK
117 STARPOINTE BOULEVARD
BURGETTSTOWN, PA 15021-9506
PH: 724.385.9150 FAX: 724.385.9151
www.hormann-flexon.com

TITLE: HIGH PERFORMANCE DOOR SPECIFICATIONS			
MODEL:	SG5000ULP-42	PART #:	-
DRAWING #:	-	PAPER SIZE:	ANSI "B"
PAGE:	1 OF 1	SCALE:	N/A
QTY:	-	ENGINEER:	GJB
		DRAWN:	12/21/2016