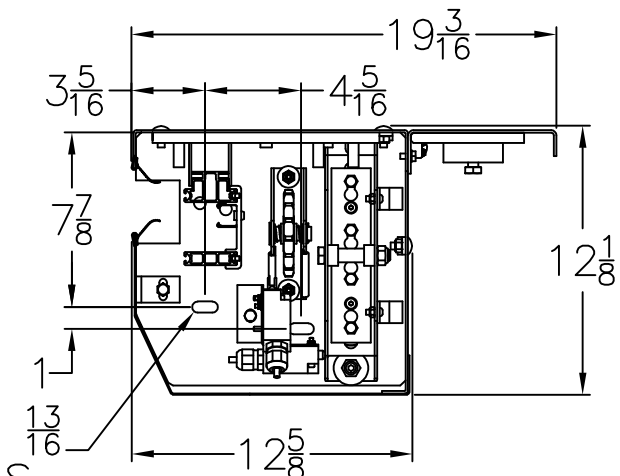
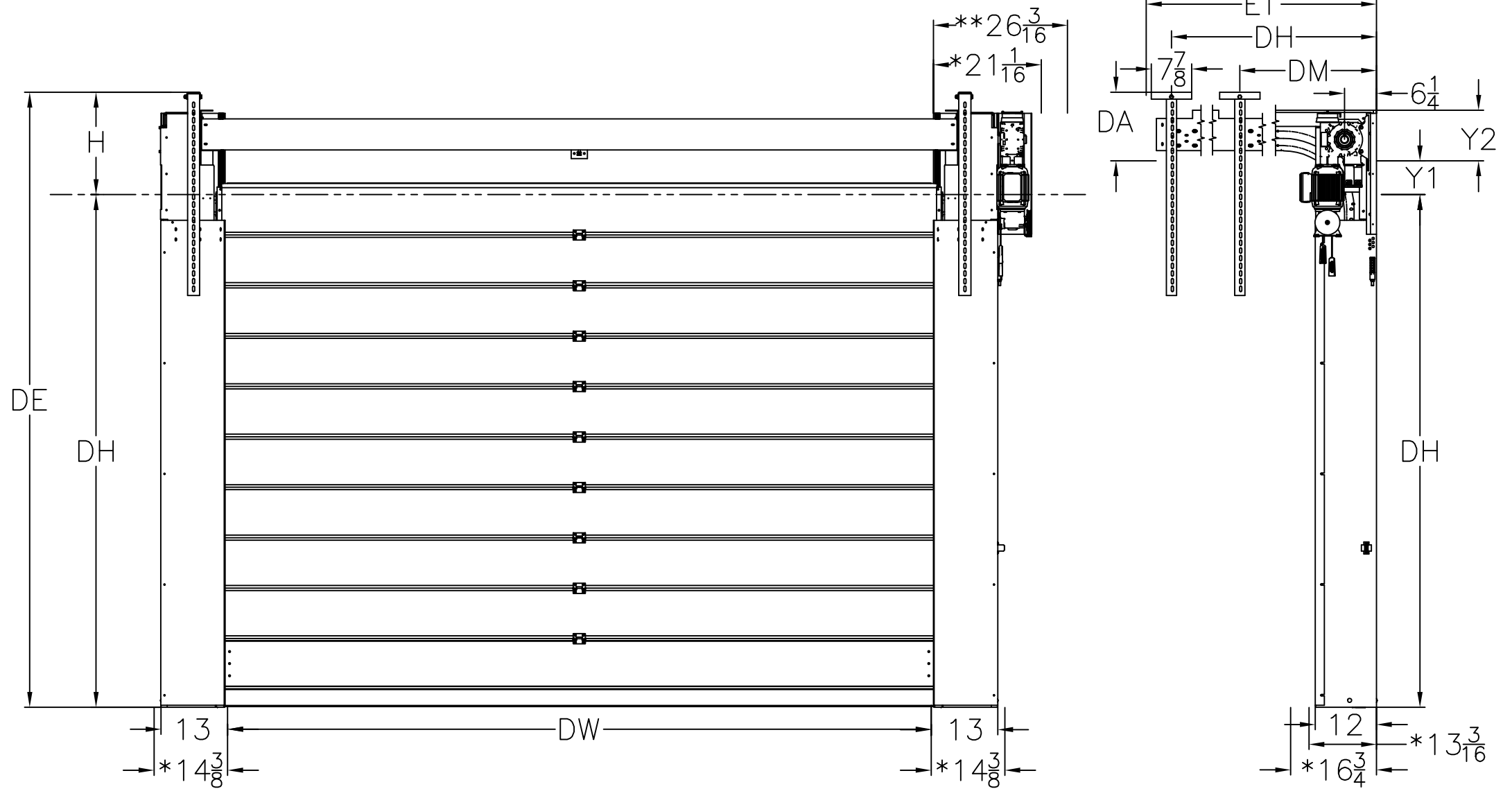


MODEL: SPEED GUARDIAN 5000U-42 LH
 CUSTOMER: -
 ADDRESS: -
 CITY & STATE: -
 JOB: -
 LOCATION: -
 COMPANY: -

SIZE: DW= DH=
 MOTOR LOCATION: RIGHT LEFT
 CONTROL BOX LOCATION: RIGHT LEFT
 VOLTAGE: 208V 230-240V 360-480V
 WIRING: NXT
 VISION AREA:
 # OF VISION PANELS: - STARTING AT -"
 # OF PERFORATED PANELS: - STARTING AT -"
 OPTIONS:
 3 BUTTON PUSH STATION -
 INDUCTION LOOP -
 MOTION DETECTOR -

NOTES:

Dim	Designation	Calculation
DW	Clear passage width	
DH	Clear passage height	
DA	Distance to ceiling	
DM	Ceiling anchor center	
DH	Ceiling anchor rear	ET - 4 3/4
DE	Ceiling height	DH + H
ET	Distance back	2*DH - DE + 39 1/2
H	Headroom	20



- DA Distance to ceiling DE-DH-S+Y2
- DE Ceiling height DA+LDH+S+Y2
- DH Rear ceiling anchor ET-4 3/4
- DM Center ceiling anchor 37 1/8 (ET>49 1/4)
- ET Minimum distance back
2*DH-(DH+S)+39 3/8 (MIN.49 1/4)
- DW Door width
- LH Track height DH+S-Y2 (min.DH+Y1)
- H Headroom min.19 max.29 1/2
- Y1 DH<98 7/16=6 11/16; DH≥98 7/16=8 7/8
- Y2 DH<98 7/16=12 1/4; DH≥98 7/16=10

1/2 X 1 13/16
 2 PLS

ALL DIMENSIONS ARE IN INCHES.
 *FITTING CLEARANCE.

**SPACE REQUIRED TO FIT AND DISMANTLE THE OPERATOR.
 ***SPACE REQUIRED TO FIT AND DIMANTLE SIDE COVER
 CONTROL BOX PROJECTION IS 6 INCHES.
 DRAWING SHOWN RIGHT HAND, LEFT HAND OPPOSITE.

WE RESERVE THE RIGHT TO CHANGE SPECIFICATIONS WITHOUT NOTICE

	HÖRMANN FLEXON LLC STARPOINTE BUSINESS PARK 117 STARPOINTE BOULEVARD BURGETTSTOWN, PA 15021-9506 PH: 724.385.9150 FAX: 724.385.9151 www.hormann-flexon.com	
	TITLE: HIGH PERFORMANCE DOOR SPECIFICATIONS	
MODEL: SG5000U-42 LH	PART #:	-
DRAWING #:	PAPER SIZE:	ANSI "B"
PAGE: 1 OF 1	SCALE:	N/A
QTY: -	ENGINEER: GJB	DRAWN: 12/2/2016