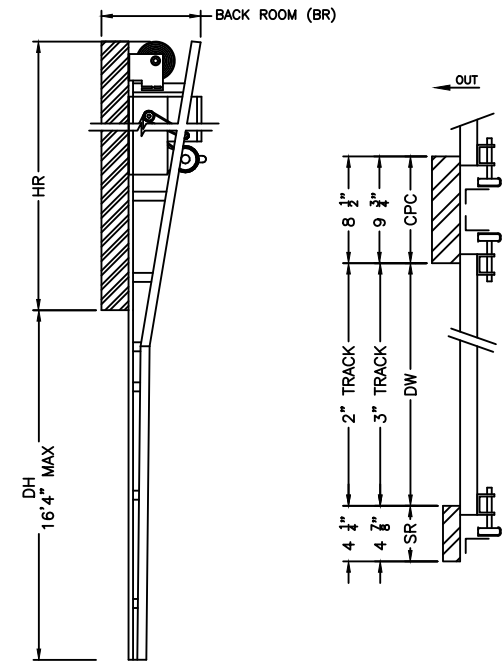
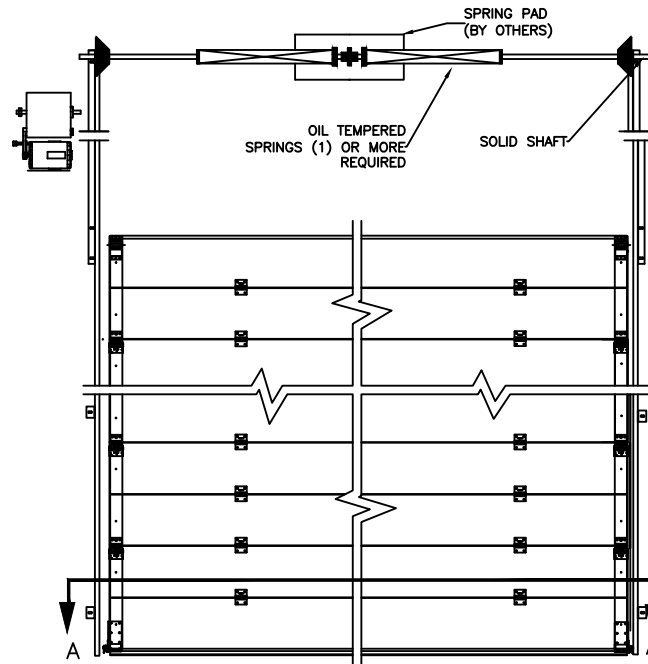


MODEL: SG5000LSV  
 CUSTOMER: -  
 ADDRESS: -  
 CITY & STATE: -  
 JOB: -  
 LOCATION: -  
 COMPANY: -

SIZE: DW=  FT  IN | DH=  FT  IN  
 MOTOR LOCATION: LEFT | RIGHT  
 CONTROL BOX LOCATION: RIGHT | LEFT  
 VOLTAGE: 115V 1PH | 230V 1PH  
 208V 3PH | 230V 3PH | 480V 3PH

VISION AREA:  
 # OF VISION PANELS: - | STARTING AT -"  
 # OF PERFORATED PANELS: - | STARTING AT -"  
 OPTIONS:  
 3 BUTTON PUSH STATION -

NOTES:



SEC A-A  
 ROTATED 90°

DH = DOOR HEIGHT  
 DW = DOOR WIDTH  
 CPC = CENTER POST CLEARANCE  
 SR = SIDE ROOM  
 HR = HEAD ROOM

HR (HEAD ROOM)		BR (BACKROOM)	
2" TRACK	3" TRACK	2" TRACK	3" TRACK
DH + 9"	DH + 9"	16"	16"

ALL DIMENSIONS ARE IN INCHES.  
 \*NECESSARY SPACE REQUIREMENT FOR MAINTENANCE.

DRAWING SHOWN LEFT HAND, RIGHT HAND OPPOSITE.

WE RESERVE THE RIGHT TO CHANGE SPECIFICATIONS WITHOUT NOTICE



HÖRMANN FLEXON LLC  
 STARPOINTE BUSINESS PARK  
 117 STARPOINTE BOULEVARD  
 BURGETTSTOWN, PA 15021-9506  
 PH: 724.385.9150 FAX: 724.385.9151  
 www.hormann-flexon.com

TITLE: HIGH PERFORMANCE DOOR SPECIFICATIONS			
MODEL:	SG5000LSV	PART #:	-
DRAWING #:	-	PAPER SIZE:	ANSI "B"
PAGE:	1 OF 1	SCALE:	N/A
QTY:	-	ENGINEER:	ESP
		DRAWN:	7/19/2017