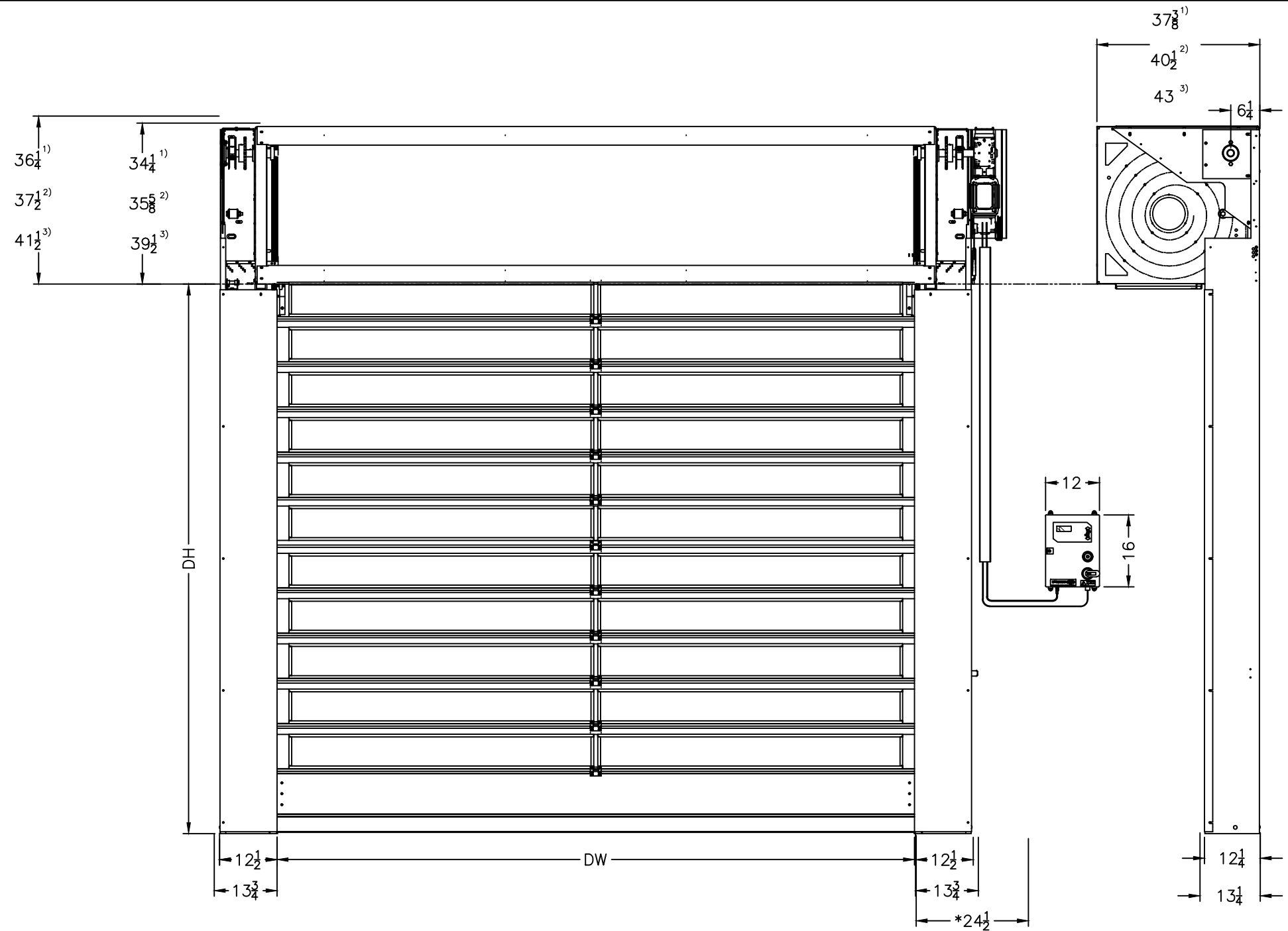
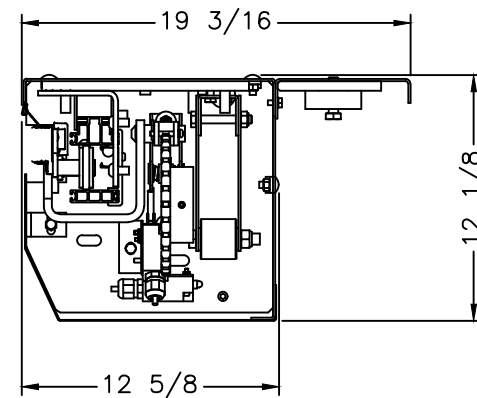


MODEL: SPEED GUARDIAN 5000 U
CUSTOMER: -
ADDRESS: -
CITY & STATE: -
JOB: -
LOCATION: -
COMPANY: -

SIZE: DW= 0' 0" DH= 0' 0"
MOTOR LOCATION: RIGHT LEFT
CONTROL BOX LOCATION: RIGHT LEFT
VOLTAGE: 200-240V 360-480V
WIRING: HARD WIRED SMART START

VISION AREA:
OF VISION PANELS: - STARTING AT -"
OF PERFORATED PANELS: - STARTING AT -"
OPTIONS:
3 BUTTON PUSH STATION -
INDUCTION LOOP -
MOTION DETECTOR -

NOTES:



ALL DIMENSIONS ARE IN INCHES.
 *NECESSARY SPACE REQUIREMENT FOR MAINTENANCE.
 CONTROL BOX PROJECTION IS 6 INCHES.
 DRAWING SHOWN RIGHT HAND, LEFT HAND OPPOSITE.

- 1) $DH \leq 177"$
- 2) $DH > 177" - \leq 216"$
- 3) $DH > 216" - \geq 256"$

	HÖRMANN FLEXON LLC STARPOINTE BUSINESS PARK 117 STARPOINTE BOULEVARD BURGETTSTOWN, PA 15021-9506 PH: 724.385.9150 FAX: 724.385.9151 www.hormann-flexon.com	
	TITLE: HIGH PERFORMANCE DOOR SPECIFICATIONS	
MODEL: SG 5000 U 42	PART #:	-
DRAWING #:	PAPER SIZE:	ANSI "B"
PAGE: 1 OF 1	SCALE:	N/A
QTY: -	ENGINEER: GJB	DRAWN: 11/23/2016

WE RESERVE THE RIGHT TO CHANGE SPECIFICATIONS WITHOUT NOTICE