

MODEL: SPEED GUARDIAN 5000H-100			
CUSTOMER:			
ADDRESS:			
CITY & STATE:			
JOB:			
LOCATION:			
COMPANY:			
SIZE: DW=		DH=	
MOTOR LOCATION:	RIGHT	LEFT	
CONTROL BOX LOCATION:	RIGHT	LEFT	
VOLTAGE:	208V*	230 - 240V	460 - 480V 575VAC*
OPTIONS:			
PUSHBUTTON MUSHROOM HEAD			
INDUCTION LOOP			
PULL CORD			
HEATED PULL CORD			
MOTION DETECTOR			
WIDESCAN			
LITE ADVANCE			
NOTES:			

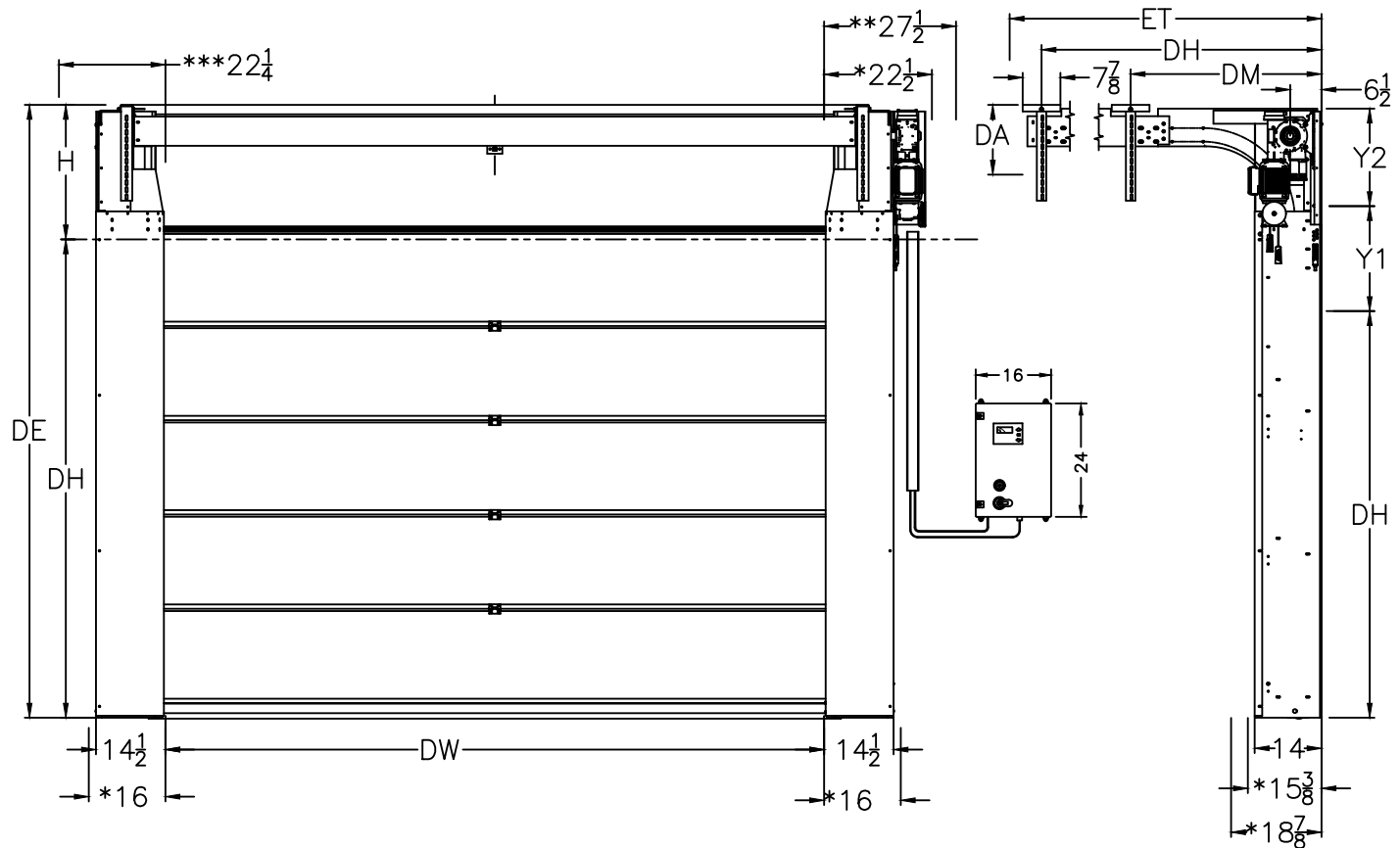
*TRANSFORMER REQUIRED

Dim	Designation	Calculation
DW	Clear passage width	
DH	Clear passage height	
DA	Distance to ceiling	
DM	Ceiling anchor center	
DH	Ceiling anchor rear	ET - 4 3/4
DE	Ceiling height	DH + H
ET	Distance back	2*DH - DE + 39 1/2
H	Headroom	20

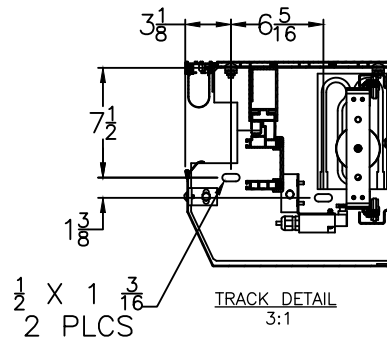
ALL DIMENSIONS ARE IN INCHES.
*FITTING CLEARANCE.

**SPACE REQUIRED TO FIT AND DISMANTLE THE OPERATOR.
***SPACE REQUIRED TO FIT AND DISMANTLE SUPPORT BEARING
CONTROL BOX PROJECTION IS 11 INCHES.
DRAWING SHOWN RIGHT HAND, LEFT HAND OPPOSITE.

WE RESERVE THE RIGHT TO CHANGE SPECIFICATIONS WITHOUT NOTICE



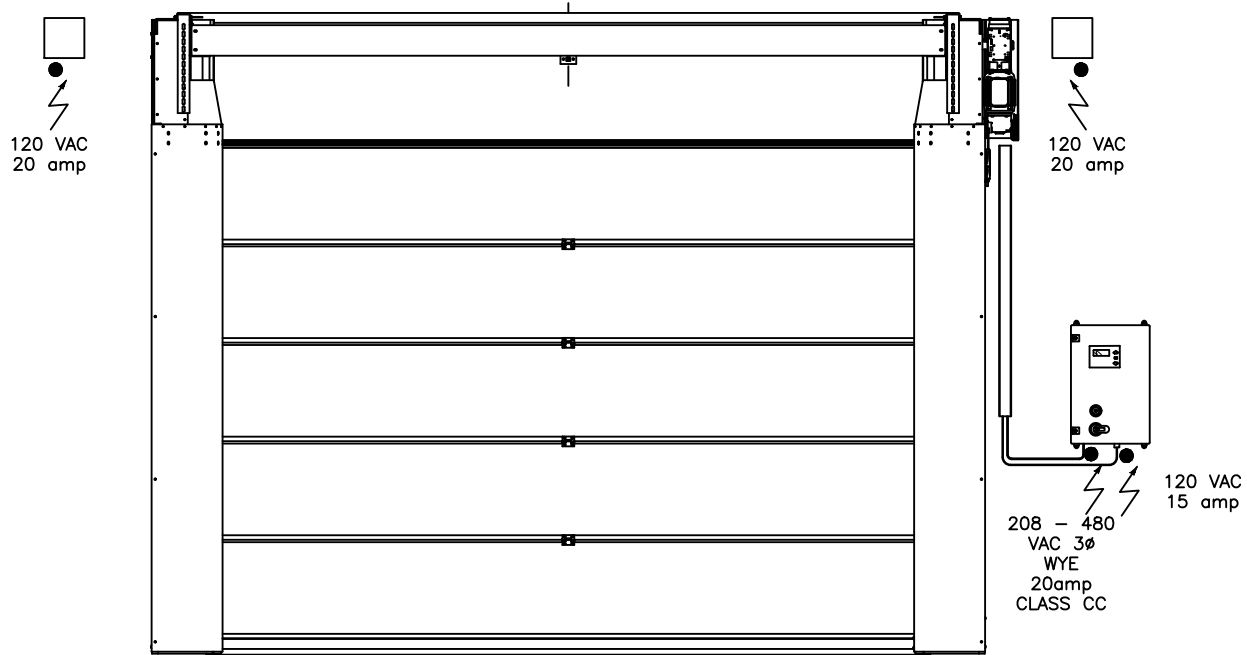
- DA Distance to ceiling
- DE Ceiling height
- DH Rear ceiling anchor
- DM Center ceiling anchor
- ET Minimum distance back
- DW Door width
- LH Track height
- H Headroom
- Y1 $DH < 98 \frac{7}{16} = 17 \frac{3}{8}$; $DH \geq 98 \frac{7}{16} = 19 \frac{1}{2}$
- Y2 $DH < 98 \frac{7}{16} = 12 \frac{1}{4}$; $DH \geq 98 \frac{7}{16} = 10$



HORMANN

117 STARPOINTE BOULEVARD
BURGETTSTOWN, PA 15021-9506
PH: +1 (800) 365-3667 FAX: 724.385.9151
www.hormann.us

TITLE: HIGH PERFORMANCE DOOR SPECIFICATIONS			
MODEL:	SG5000H-100	PART #:	-
DRAWING #:	-	PAPER SIZE:	ANSI "B"
PAGE:	1 OF 2	SCALE:	N/A
QTY:	-	ENGINEER:	GJB
		DRAWN:	10/6/2022



WE RESERVE THE RIGHT TO CHANGE SPECIFICATIONS WITHOUT NOTICE

HORMANN			
117 STARPOINTE BOULEVARD BURGETTSTOWN, PA 15021-9506 PH: +1 (800) 365-3667 FAX: 724.385.9151 www.hormann.us			
TITLE: HIGH PERFORMANCE DOOR SPECIFICATIONS			
MODEL:	SG5000H-100	PART #:	-
DRAWING #:	-	PAPER SIZE:	ANSI "B"
PAGE:	2 OF 2	SCALE:	N/A
QTY:	-	ENGINEER:	GJB
		DRAWN:	10/6/2022