

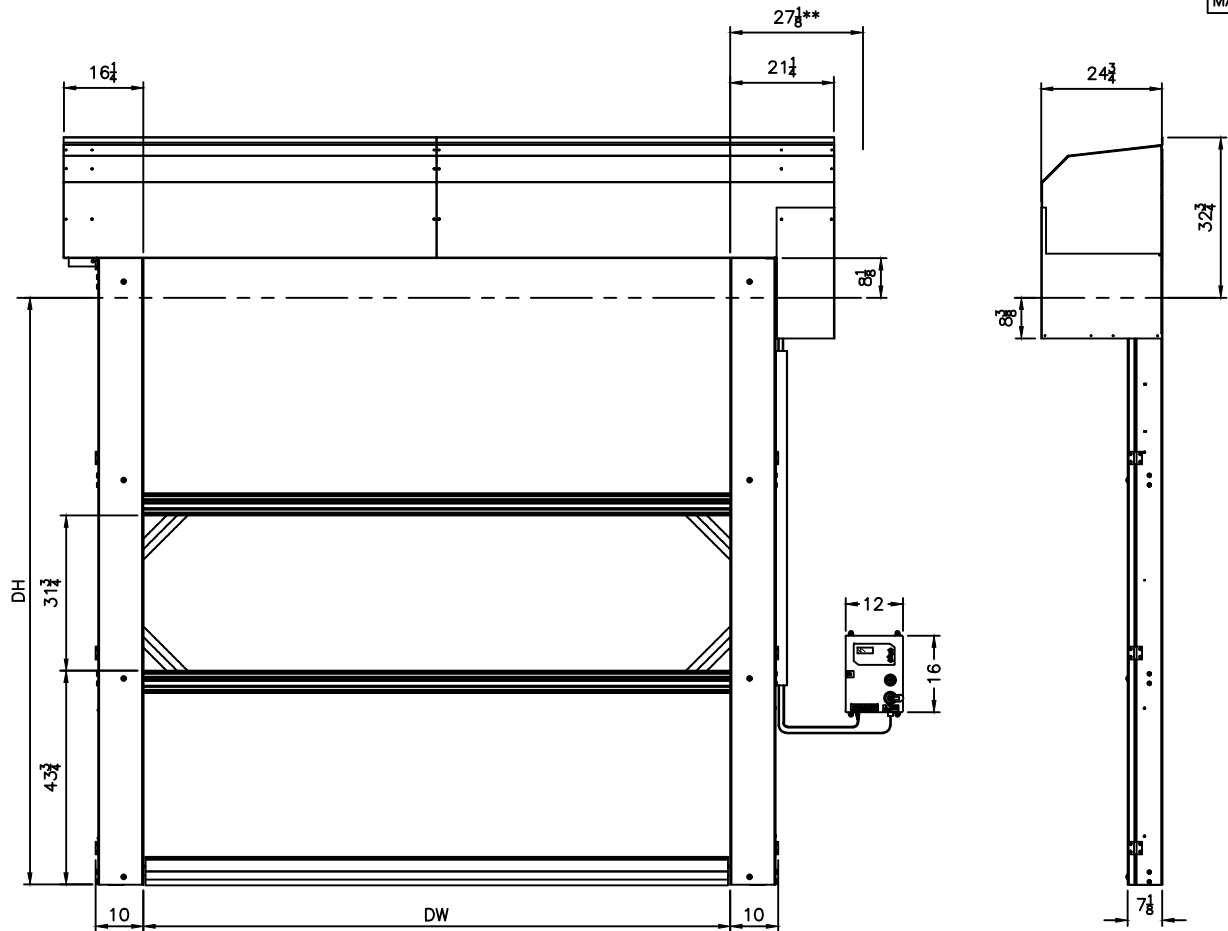
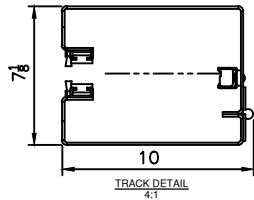
MODEL: SM4600 W/ SLOPED HOOD
CUSTOMER: -
ADDRESS: -
CITY & STATE: -
JOB: -
LOCATION: -
COMPANY: -

SIZE: DW=	DH=	
MOTOR LOCATION: RIGHT	LEFT	
CONTROL BOX LOCATION: RIGHT	LEFT	
VOLTAGE: 208V	230-240V	360-480V

VISION AREA:	
# OF VISION PANELS: -	STARTING AT -"
# OF PERFORATED PANELS: -	STARTING AT -"
OPTIONS:	
3 BUTTON PUSH STATION	-
INDUCTION LOOP	-
MOTION DETECTOR	-

NOTES:

- 1.) STEP UP TRANSFORMER SUPPLIED FOR VOLTAGES UNDER 208VAC.
- 2.) STEP DOWN TRANSFORMER SUPPLIED FOR VOLTAGES OVER 480VAC.



MATERIAL
MATERIAL

ALL DIMENSIONS ARE IN INCHES.
*FITTING CLEARANCE.

**SPACE REQUIRED TO FIT AND DISMANTLE THE OPERATOR.
CONTROL BOX PROJECTION IS 6 INCHES.
DRAWING SHOWN RIGHT HAND, LEFT HAND OPPOSITE.

WE RESERVE THE RIGHT TO CHANGE SPECIFICATIONS WITHOUT NOTICE

HÖRMANN

117 STARPOINTE BOULEVARD
BURGETTSTOWN, PA 15021-9506
PH: +1 (800) 365-3667 FAX: 724.385.9151
www.hormann.us

TITLE:	SM4600 WITH SLOPED HOOD	
MODEL:	SM4600	PART #:
DRAWING #:	SM4600 SLOPED	PAPER SIZE: ANSI "B"
PAGE:		SCALE: NTS
QTY:	GJB	DRAWN: 1/21/22