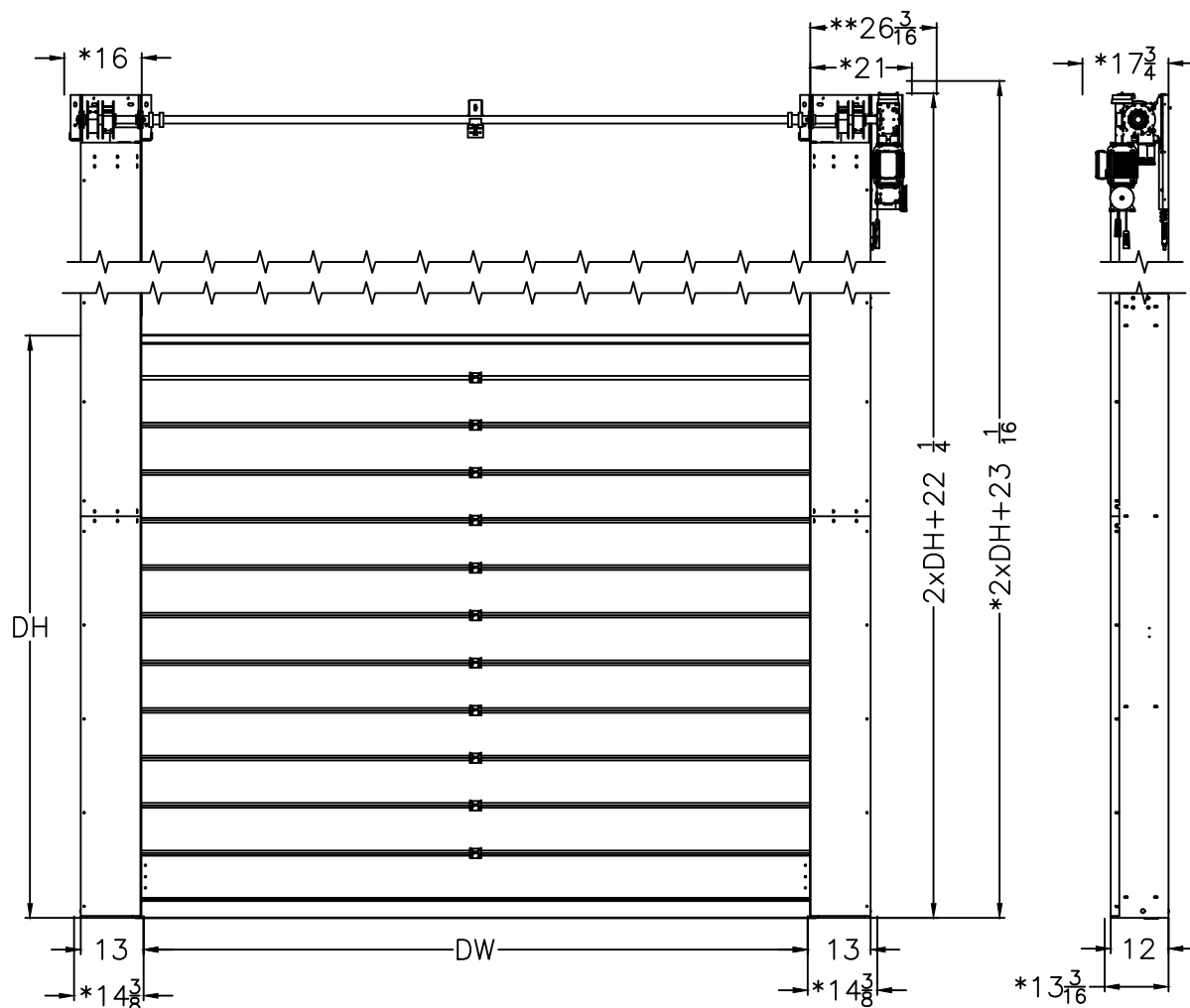
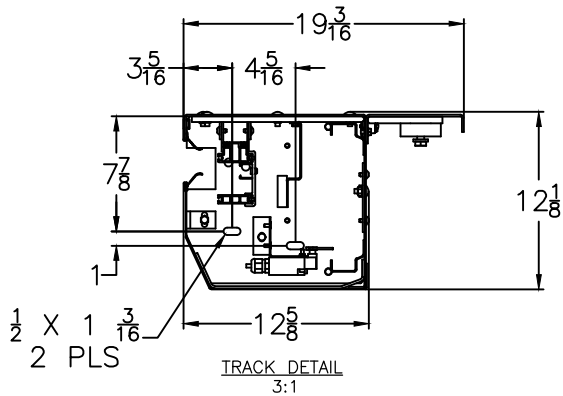


MODEL: SPEED GUARDIAN 5000V-42
CUSTOMER: -
ADDRESS: -
CITY & STATE: -
JOB: -
LOCATION: -
COMPANY: -

SIZE: DW=	DH=	
MOTOR LOCATION: RIGHT	LEFT	
CONTROL BOX LOCATION: RIGHT	LEFT	
VOLTAGE: 208V	230-240V	360-480V

VISION AREA:	
# OF VISION PANELS: -	STARTING AT -"
# OF PERFORATED PANELS: -	STARTING AT -"
OPTIONS:	
3 BUTTON PUSH STATION	-
INDUCTION LOOP	-
MOTION DETECTOR	-
NOTES:	



ALL DIMENSIONS ARE IN INCHES.
*FITTING CLEARANCE.

**SPACE REQUIRED TO FIT AND DISMANTLE THE OPERATOR.
CONTROL BOX PROJECTION IS 6 INCHES.
DRAWING SHOWN RIGHT HAND, LEFT HAND OPPOSITE.

WE RESERVE THE RIGHT TO CHANGE SPECIFICATIONS WITHOUT NOTICE

HORMANN

117 STARPOINTE BOULEVARD
BURGETTSTOWN, PA 15021-9506
PH: +1 (800) 365-3667 FAX: 724.385.9151
www.hormann.us

TITLE: HIGH PERFORMANCE DOOR SPECIFICATIONS			
MODEL:	SG5000V-42	PART #:	-
DRAWING #:	-	PAPER SIZE:	ANSI "B"
PAGE:	1 OF 1	SCALE:	N/A
QTY: -	ENGINEER: GJB	DRAWN:	12/5/2016