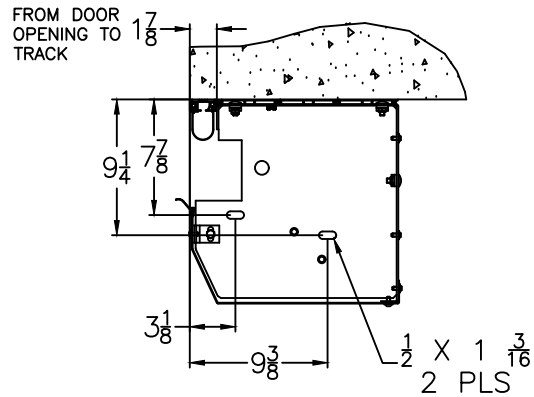


MODEL: SPEED GUARDIAN 5000H-100
CUSTOMER:
ADDRESS:
CITY & STATE:
JOB:
LOCATION:
COMPANY:

SIZE: DW=	DH=		
MOTOR LOCATION: RIGHT	LEFT		
CONTROL BOX LOCATION: RIGHT	LEFT		
VOLTAGE: 208V*	230-240V	460-480V	575VAC*

OPTIONS:
PUSHBUTTON MUSHROOM HEAD
INDUCTION LOOP
PULL CORD
HEATED PULL CORD
MOTION DETECTOR
WIDESCAN
LITE ADVANCE
NOTES:

*TRANSFORMER REQUIRED



TRACK_DETAIL
3:1

ALL DIMENSIONS ARE IN INCHES.

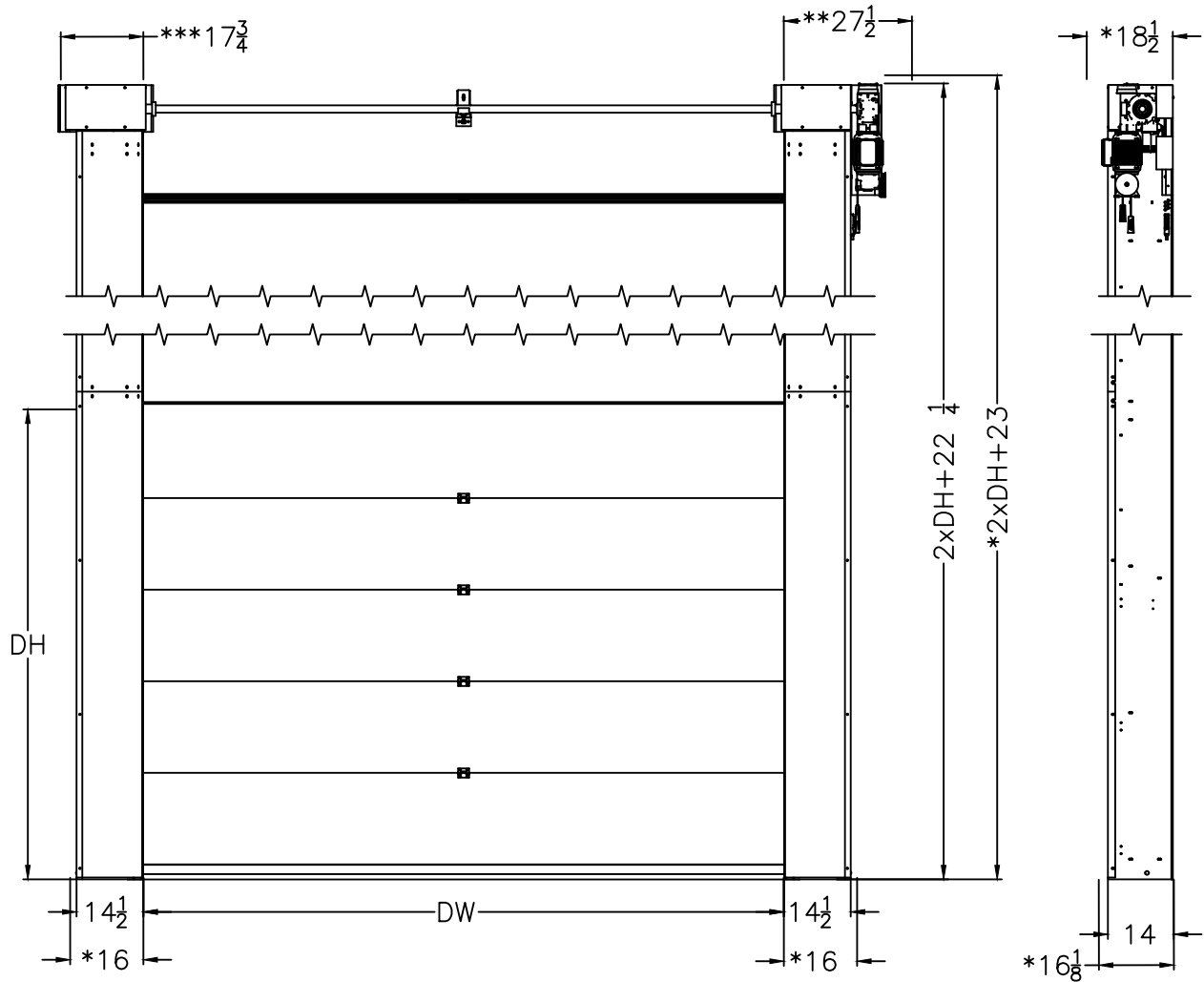
*FITTING CLEARANCE.

**SPACE REQUIRED TO FIT AND DISMANTLE THE OPERATOR.

***SPACE REQUIRED TO FIT AND DIMANTLE SUPPORT BEARING

CONTROL BOX PROJECTION IS 6 INCHES.

DRAWING SHOWN RIGHT HAND, LEFT HAND OPPOSITE.

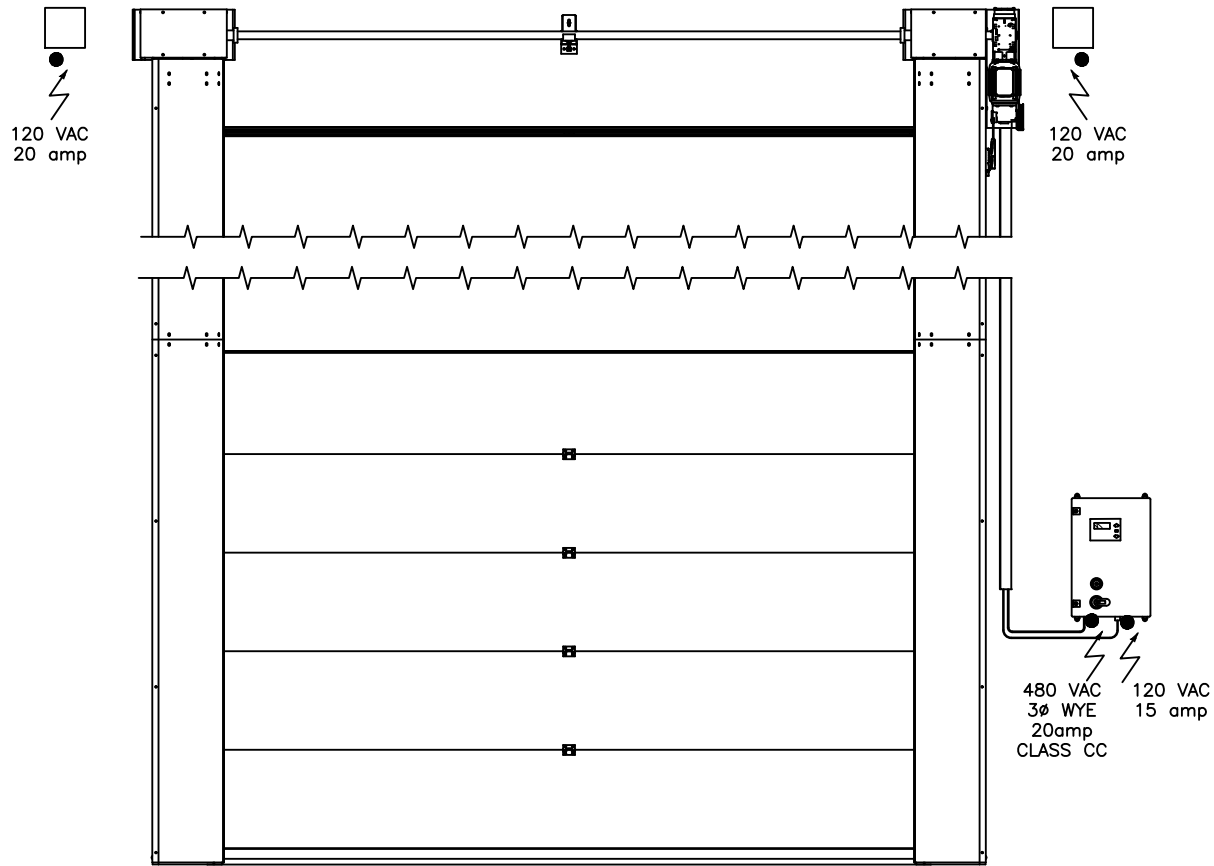


HÖRMANN

117 STARPOINTE BOULEVARD
BURGETTSTOWN, PA 15021-9506
PH: +1 (800) 365-3667 FAX: 724.385.9151
www.hormann.us

TITLE: HIGH PERFORMANCE DOOR SPECIFICATIONS			
MODEL: ISO SPEED COLD V 100	PART #:	-	
DRAWING #:	-	PAPER SIZE:	ANSI "B"
PAGE:	1 OF 2	SCALE:	N/A
QTY: -	ENGINEER: GJB	DRAWN:	12/6/2016

WE RESERVE THE RIGHT TO CHANGE SPECIFICATIONS WITHOUT NOTICE



HORMANN

117 STARPOINTE BOULEVARD
 BURGETTSTOWN, PA 15021-9506
 PH: +1 (800) 365-3667 FAX: 724.385.9151
 www.hormann.us

TITLE: HIGH PERFORMANCE DOOR SPECIFICATIONS			
MODEL:	SG5000V-100	PART #:	-
DRAWING #:	-	PAPER SIZE:	ANSI "B"
PAGE:	2 OF 2	SCALE:	N/A
QTY:	-	ENGINEER:	GJB
		DRAWN:	10/6/2022

WE RESERVE THE RIGHT TO CHANGE SPECIFICATIONS WITHOUT NOTICE