

EN

## Instructions for Fitting, Operating and Maintenance

High-Speed Door SC 1400 SEL

FR

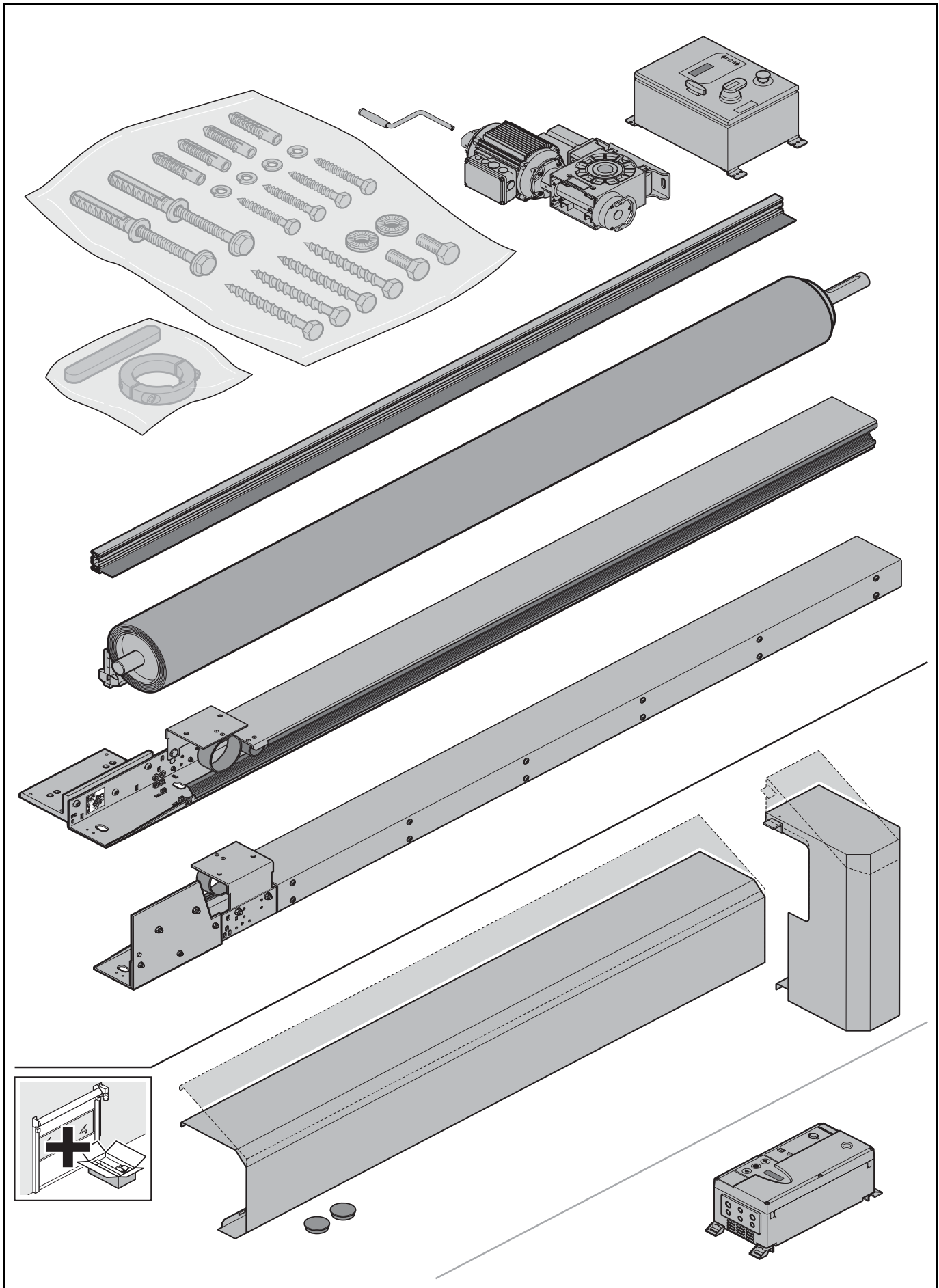
## Instructions de montage, de service et de maintenance

Porte rapide SC 1400 SEL

ES

## Instrucciones de montaje, funcionamiento y mantenimiento

Puerta de apertura rápida SC 1400 SEL



## Important Installation Instructions

### WARNING

- ▶ To reduce the risk of severe injury or death
- 1. **READ AND FOLLOW ALL INSTALLATION INSTRUCTIONS**
- 2. Install only on a properly operating and balanced door. A door that is operating improperly could cause severe injury. Have qualified service personnel make repairs to cables, spring, assemblies, and other hardware before installing the operator.
- 3. Remove all pull ropes and remove, or make inoperative, all locks (unless mechanically and/or electrically interlocked to the power unit) connected to the door before installing the operator.
- 4. A commercial/industrial door operator that has exposed moving parts capable of causing injury to persons or employs a motor deemed indirectly accessible by UL325 10.6 by virtue of its location above the floor shall include:
  - Install the door operator at least 2.44 m (8 ft) or more above the floor;
  - or
  - if the operator must be installed less than 2.44 m (8 ft) above the floor, then exposed moving parts must be protected by covers or guarding, provided by the manufacturer;
  - or
  - both (a) and (b)
- 5. Do not connect the door operator to the source of power until instructed to do so.
- 6. Locate the control station: (a) within sight of the door, and (b) at a minimum height of 1.53 m (5 ft) above floors, landings, steps, or any other adjacent walking surface and (c) away from all moving parts of the door.
- 7. Ensure that the track attached Entrapment Warning Label is visible.
- 8. For products having a manual release, instruct the end user on the operator of the manual release.

## Instructions de montage importantes

### AVERTISSEMENT

- ▶ Pour réduire le risque de blessures graves ou de décès
- 1. **LISEZ ET SUIVEZ TOUTES LES INSTRUCTIONS DE MONTAGE**
- 2. N'installez que sur une porte en bon état de fonctionnement et équilibrée. Une porte qui ne fonctionne pas correctement risque de causer des blessures graves. Avant d'installer la motorisation, demandez au personnel qualifié de réparer les câbles, ressorts, assemblages et tout autre outil.
- 3. Avant d'installer la motorisation, enlevez toutes les cordes de traction et retirez, ou rendez inopérants, tous les mécanismes de verrouillage (sauf s'ils sont verrouillés mécaniquement et/ou électriquement à la source d'énergie) reliés à la porte.
- 4. Une motorisation de porte commerciale/industrielle à pièces mobiles exposées susceptibles de causer des blessures aux personnes ou utilisant un moteur considéré indirectement accessible par la norme UL325 10.6 en raison de son emplacement au-dessus du sol, doit inclure :
  - une installation à au moins 2,44 m (8 pieds) ou plus au-dessus du sol;
  - ou
  - des caches ou un capot fournis par le fabricant pour les pièces mobiles exposées, si la motorisation doit être installée à moins de 2,44 m (8 pieds) au-dessus du sol;
  - ou
  - à la fois (a) et (b)
- 5. Ne connectez pas la motorisation de porte à la source d'alimentation avant d'avoir reçu l'instruction de le faire.
- 6. Localisez le poste de commande : (a) à portée de vue depuis la porte, et (b) à une hauteur minimum de 1,53 m (5 pieds) au-dessus des étages, paliers, marches ou toute autre surface de marche adjacente et (c) loin de toute les parties mobiles de la porte.
- 7. Assurez-vous que l'étiquette d'avertissement de piégeage attachée à la voie est visible.
- 8. Pour les produits à déverrouillage manuel, indiquez à l'utilisateur final le nom de la motorisation pour le déverrouillage manuel.


## Instrucciones importantes de instalación

### ADVERTENCIA

- ▶ Para reducir el riesgo de lesiones grave y muerte
- 1. **LEA Y SIGA TODAS LAS INSTRUCCIONES DE INSTALACIÓN**
- 2. Instale solo en una puerta que funcione correctamente y esté balanceada. Una puerta que funciona incorrectamente podría causar lesiones graves. Haga que personal de servicio calificado repare los cables, resortes, ensambles y cualquier otro accesorio antes de instalar el operador.
- 3. Retire todas las cuerdas de tracción y quite, o mantenga inoperantes, todas las cerraduras conectadas a la puerta antes de instalar el operador (a menos que estén trabadas mecánica y/o eléctricamente a la unidad de potencia).
- 4. Si un operador de puerta comercial / industrial tiene expuestas partes móviles capaces de causar lesiones a personas o emplea un motor al que la norma UL325 10.6 considere indirectamente accesible como resultado de su ubicación sobre el piso, se deberá realizar lo siguiente:
  - Instale el operador de la puerta al menos a 2.44 m (8 pies) o más sobre el piso;
    -
  - si el operador debe instalarse a menos de 2.44 m (8 pies) sobre el piso, las partes móviles expuestas deben protegerse con cubiertas o protecciones, suministradas por el fabricante;
    -
  - tanto (a) como (b).
- 5. No conecte el operador de la puerta a la fuente de energía hasta que se le indique.
- 6. Ubique la estación de control: (a) a la vista de la puerta, y (b) a una altura mínima de 1.53 m (5 pies) sobre los pisos, descansos, escalones o cualquier otra superficie adyacente para caminar y (c) lejos de todas las partes móviles de la puerta.
- 7. Asegúrese de que la etiqueta de advertencia de atrapamiento adjunta a la vía esté visible.
- 8. Para los productos que tienen una liberación manual, indique al usuario final sobre el operador de liberación manual.



# Contents

- 1 About These Instructions.....5**
- 1.1 Further applicable documents.....5
- 1.2 Warnings used.....5
- 1.3 Symbols used.....6
- 1.4 Abbreviations used.....6
- 2  Safety Instructions.....6**
- 2.1 Intended use.....6
- 2.2 Qualification of personnel.....7
- 2.3 Standards and regulations .....7
- 2.4 General safety instructions.....7
- 2.5 Safety instructions for operation .....7
- 2.6 Safety instructions for maintenance and troubleshooting .....7
- 3 Fitting.....8**
- 4 Putting into Service .....8**
- 4.1 Setting the end-of-travel positions.....8
- 4.2 Test run.....9
- 5 Operation.....9**
- 5.1 Instructed personnel.....9
- 5.2 Normal wear .....9
- 5.3 Emergency-OFF .....9
- 6 Inspection and Maintenance .....9**
- 6.1 Maintenance intervals.....10
- 6.2 Wearing parts .....10
- 7 Control.....10**
- 8 Malfunctions and Troubleshooting .....11**
- 9 Cleaning and Care .....11**
- 10 Extension and Conversion.....11**
- 11 Dismantling and Disposal.....11**



.....28

Dissemination as well as duplication of this document and the use and communication of its content are prohibited unless explicitly permitted. Noncompliance will result in damage compensation obligations. All rights reserved in the event of patent, utility model or design model registration.

Dear Customer,  
We are delighted that you have decided to choose a high-quality product from our company.

## 1 About These Instructions

These instructions are divided into a text section and an illustrated section. The illustrated section can be found after the text section.

These instructions are **original instructions** as outlined in the EC Directive 2006 / 42 / EC. Read through all of the instructions carefully: they contain important information about the product. Pay attention to and follow the instructions provided, particularly the safety instructions and warnings.

Please keep these instructions in a safe place and make sure that they are available to all users at all times.

The manufacturer is not liable for any damage caused as a result of non-compliance with the operating instructions and the information contained therein or due to non-customary use of the industrial door.





Competent operation and proper maintenance influence the performance and availability of your industrial door to a considerable degree. Operating errors and inadequate maintenance lead to avoidable failures. Only competent operation and proper maintenance will guarantee satisfactory, long-term operational safety.

Our customer service department will be happy to assist you. Please contact them if you have any questions after working through these operating instructions.






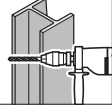








### 1.1 Further applicable documents









Depending on the ordered accessories, the delivery includes further instructions, e.g. instructions on how to control the door. Also read these instructions carefully and thoroughly. Pay attention to and follow the instructions provided herein, particularly the safety instructions and warnings.

### 1.2 Warnings used

	The general warning symbol indicates a danger that can lead to <b>injury</b> or <b>death</b> . In the text, the general warning symbol will be used in connection with the caution levels described below. In the illustrated section, an additional instruction refers back to the explanation in the text.
 <b>DANGER</b>	Indicates a danger that leads directly to death or serious injuries.
 <b>WARNING</b>	Indicates a danger that can lead to death or serious injuries.
 <b>CAUTION</b>	Indicates a danger that can lead to minor or moderate injuries.
<b>ATTENTION</b>	Indicates a danger that can lead to <b>damage</b> or <b>destruction</b> of the product.

**1.3 Symbols used**

	Important advice to prevent injury to persons or damage to property
	Warning of dangerous electrical voltage
	Tighten the screws firmly
	Tighten the screws by hand
	Optional components
	Drilling in steel
	Drilling in concrete
	Use suitable lifting devices (e.g. forklift, crane)
	Remove residue
	Inspect
	Danger of crushing
	Risk of shearing
	Risk of impact
	Risk of trapping during door travel

	Grease
	Thread lock
	Correct arrangement or activity
	Non-permissible arrangement or activity
	Remove and dispose of component or packaging
	See text section
	See illustrated section
	See separate Fitting Instructions for the control or for the additional electrical control elements

**1.4 Abbreviations used**

EN	European Standard
FFL	Top edge of finished floor line
DW	Door opening width
DH	Door opening height
Units	mm and (inches)
	NM and (Ft-Lbs)
	mm <sup>2</sup> and (FT <sup>2</sup> )

**2  Safety Instructions**

When used properly and for the intended purpose, industrial doors are reliable and safe to operate. Nevertheless, when used incorrectly or for purposes other than those intended, they can pose a risk. We therefore expressly draw your attention to the safety instructions contained in the individual chapters.

**2.1 Intended use**

Industrial doors are used to close passage openings, to safely shut off rooms, to make machines safe and secure, to save energy costs, to improve the room air conditions and to accelerate the flow of materials.

Intended use also includes paying attention to these instructions and observing inspection and maintenance conditions. Any other or further use is regarded as non-intended use. The manufacturer / supplier is not liable for any damage resulting from this. The risk is borne solely by the user.

## 2.2 Qualification of personnel

Only qualified and instructed personnel may fit, operate and maintain the industrial door.

Before commencing work the assigned personnel must read these instructions, particularly chapter 2.

For safety reasons, specify distinct responsibilities for operation, maintenance and repairs to ensure that there are no unclear assignments.

## 2.3 Standards and regulations

At the least, observe the following European standards and directives, as well as country-specific safety requirements, standards and regulations.

### Standards

ANSI/DASMA 108-2017	Standard Method for Testing Sectional Garage Doors, Rolling Doors and Flexible Doors: Determination of Structural Performance Under Uniform Static Air Pressure Difference
UL325	Standard for safety: Door, drape, gate, louver, and window operators and systems

### Electrical regulations

NFPA70	Electrical installations with electronic equipment <i>**Note that local regulations must be considered but are not listed**</i>
--------	--

### Accident prevention regulations

NFPA70	Electrical installations and equipment
OSHA1910	Technical Rules for Workplaces

## 2.4 General safety instructions

- In addition, also observe the generally applicable statutory regulations and other binding regulations for accident prevention and environmental protection, country-specific regulations, and the recognized specialist technical rules for safe and competent working. Before beginning work, instruct personnel in accordance with these rules and regulations.
- Always keep these instructions ready to hand at the location where the industrial door is used.
- Without the supplier's prior approval, do not carry out any modification, attachment or conversion work on the industrial door which might compromise safety.
- Do not make any modifications to the software on programmable control systems.
- The location and operation of fire extinguishers must be indicated by appropriate information signs. Observe the statutory fire alarm and fire-fighting regulations.

- All work on the industrial door (such as maintenance, cleaning work and inspections) may only be performed during an operational shutdown.
- Only qualified electricians may perform work on the mains supply.
- Before undertaking any work, disconnect the system from the mains supply and ensure that it cannot be inadvertently turned on. If available, deactivate the emergency opening lever.


## 2.5 Safety instructions for operation

- Before actuating the door, make sure that no persons or objects are located in the door's area of travel.
- Do not reach into the guide or guide area while the door is in operation.
- Only actuate the industrial door if it is safe and functional. All protective devices and safety-related devices (e.g. detachable protective devices and emergency-OFF devices) must be present and functioning.
- Do not modify or put the safety devices out of operation.

## 2.6 Safety instructions for maintenance and troubleshooting

- Perform inspection and maintenance work as described in chapter 6. Comply with the maintenance intervals and note the information on the replacement of parts / partial equipment.
- Maintenance and troubleshooting may only be carried out by specialist personnel.
- Only use spare parts that comply with the technical requirements specified by the manufacturer. This is always guaranteed when original spare parts are used.
- Only carry out welding, burning and grinding work on the industrial door if this work has been expressly approved. For example, there may be a risk of fire and explosion! Prior to welding, burning and grinding, remove dust and combustible materials from the industrial door and its surroundings and ensure that there is adequate ventilation (risk of explosion)!
- Before disassembling the operator, fix the shaft on the operator side (e.g. with a forklift).

### 3 Fitting

 <b>DANGER</b>
<p><b>Mains voltage!</b></p> <p>Contact with the mains voltage presents the danger of a deadly electric shock. For that reason, observe the following warnings under all circumstances:</p> <ul style="list-style-type: none"> <li>▶ Only qualified electricians may perform work on the mains supply.</li> <li>▶ Make sure that the on-site electrical installation complies with the applicable safety requirements.</li> <li>▶ Ensure that the national regulations governing the operation of electrical equipment are complied with.</li> <li>▶ Install the control unit for the industrial door operator within sight of the door.</li> <li>▶ Before undertaking any electrical work, disconnect the system from the mains supply and ensure that it cannot be inadvertently turned on.</li> </ul>

<b>ATTENTION</b>
<p><b>External voltage</b></p> <p>External voltage on the connecting terminals of the control will destroy the electronics.</p> <ul style="list-style-type: none"> <li>▶ Do not apply any external voltage (e.g. mains voltage) to the connecting terminals of the control unit.</li> </ul>

<b>ATTENTION</b>
<p><b>Pull forces on electric cables</b></p> <p>Pull forces on electric cables will destroy the electronics.</p> <ul style="list-style-type: none"> <li>▶ Never pull on the connecting leads of the electrical components.</li> </ul>

**NOTE:**

The included fixing material is approved for the following subsurfaces.

Concrete screws:	Fitting subsurface cracked concrete C20 / 25, uncracked concrete C20 / 25 and brickwork.
Long shaft plug:	Fitting subsurface concrete C12 / 15, gas concrete, sand-lime solid brick and solid brick.
Metric screws:	Fitting subsurface steel, a suitable material thickness and strength must be observed.

For deviating subsurfaces, suitable fixing material must be selected (not in scope of delivery).

**NOTE:**

Also follow the other enclosed instructions for installation of electrical connections and fitting additional electrical control elements.


**To fit the door:**

1. Take precautionary measures to make the site safe.
2. Check the on-site fitting conditions for the door (check measurements).
3. Check the quality of the structure for its strength.

4. Choose suitable fastenings.
5. Unpack the door and check for damage.
6. If delivered by a freight forwarder: Report any damage immediately.
7. Check that the delivery is complete.
8. Dispose of the packaging material.
9. Fit the door as shown in the illustrated section.

### 4 Putting into Service

 <b>WARNING</b>
<p><b>Faulty door</b></p> <p>A faulty door may injure persons or damage objects.</p> <ul style="list-style-type: none"> <li>▶ Only put the door into service if it is in perfect condition.</li> </ul>

 <b>WARNING</b>	<p><b>Door movements</b></p> <p>Door travel may injure persons or damage objects.</p> <ul style="list-style-type: none"> <li>▶ Make sure that no persons or objects are in the door's closing area during operation.</li> <li>▶ Never use the door to lift objects or persons.</li> <li>▶ Never reach into the guide, guide area, chain, toothed wheel or return pulley during door operation.</li> </ul>
--	---

#### 4.1 Setting the end-of-travel positions

The end-of-travel positions of the door are set on the control cabinet.

**NOTE:**

Please follow the instructions supplied with the operator and control unit.

##### 4.1.1 CLOSE end-of-travel position

<b>ATTENTION</b>
<p><b>Exceeding the CLOSE end-of-travel position</b></p> <p>If the door travels beyond the <i>CLOSE</i> end-of-travel position, the bottom profile may be compressed. This could disrupt the diode deactivation of the light grille.</p> <ul style="list-style-type: none"> <li>▶ Never exceed the <i>CLOSE</i> end-of-travel position.</li> </ul>

- ▶ Set the *CLOSE* end-of-travel position so that the bottom profile makes full contact with the floor. If the guide is supported or the floor uneven, select the bottom edge of the side element as the end-of-travel position.

4.1.2 OPEN end-of-travel position





<b>ATTENTION</b>
<p><b>Exceeding the OPEN end-of-travel position</b>                  If the door travels beyond the <i>OPEN</i> end-of-travel position, there is a risk of the door curtain slipping out of the side guides and sustaining damage.</p> <ul style="list-style-type: none"> <li>▶ Never exceed the <i>OPEN</i> end-of-travel position.</li> </ul>

- ▶ Set the *OPEN* end-of-travel position so that the lower edge of the bottom profile corresponds to the dimension for the door height.

4.2 Test run

1. After fitting the door, test the functional safety according to the acceptance / handing-over report.
2. Verify in the test log book (dated and signed) that a test run has been successfully completed.
3. Hand the entire door documentation over to the owner or operator of the door.

5 Operation

 <b>WARNING</b>	
  	<p><b>Door movements</b>                  Door travel may injure persons or damage objects.</p> <ul style="list-style-type: none"> <li>▶ Make sure that no persons or objects are in the door's closing area during operation.</li> <li>▶ Make sure that the door has opened completely before driving in or out! Never drive or walk through doorways unless the door has reached the <i>OPEN</i> end-of-travel position.</li> <li>▶ Whenever driving in or out of the opening, always check that the door curtain has traveled up far enough to provide the necessary passage height.</li> <li>▶ Never use the door to lift objects or persons.</li> <li>▶ Do not reach into the guide or guide area while the door is in operation.</li> </ul>

<b>ATTENTION</b>
<p><b>Emergency operation devices</b>                  Too frequent use of the emergency operation devices may damage them. This will also void the warranty for the door.</p> <ul style="list-style-type: none"> <li>▶ Only use the emergency operation devices in the case of a power failure or during repair work.</li> </ul>

<b>ATTENTION</b>
<p><b>Aggressive media, wind and heat</b>                  Aggressive media, wind and heat may damage the door.</p> <ul style="list-style-type: none"> <li>▶ Protect the door from aggressive media:                         <ul style="list-style-type: none"> <li>– Saltpeter from stone or concrete</li> <li>– Cement</li> <li>– Plaster</li> <li>– Acids</li> <li>– Alkali</li> <li>– Road salt</li> <li>– Aggressive paints or sealants</li> <li>– Aggressive sealants</li> </ul> </li> <li>▶ Do not open or close the door if it is windy (no outside door).</li> <li>▶ Avoid temperatures greater than 50°C near the door.</li> </ul>

5.1 Instructed personnel

The door may only be operated by persons who have been instructed in its proper use. A person is considered to be instructed (EN 12453), if they have received instruction as to how to operate the door safely and has received permission from the owner to use the door system.


5.2 Normal wear


The design of the door represents state-of-the-art technology. Pressure marks and abrasive wear are design-related and cannot be avoided.





5.3 Emergency-OFF



- ▶ In emergency situations, deenergize the control by actuating the main switch, pulling the mains plug or, if available, actuating the red **emergency-OFF** button.

6 Inspection and Maintenance

 <b>WARNING</b>
<p><b>Unmaintained doors</b>                  There is a danger of injury and damage if the door is not regularly maintained. This will also void the warranty.</p> <ul style="list-style-type: none"> <li>▶ Inspect and maintain the door regularly as described in these instructions or entrust this work to the manufacturer's service department.</li> </ul>

 <b>DANGER</b>
<p><b>Mains voltage!</b>                  Contact with the mains voltage presents the danger of a deadly electric shock.</p> <ul style="list-style-type: none"> <li>▶ Before undertaking any electrical work, disconnect the system from the mains supply and ensure that it cannot be inadvertently turned on.</li> </ul>

 <b>WARNING</b>	
	<p><b>Door movements</b></p> <p>There is a danger of injury and damage if the door is actuated during inspection or maintenance work.</p> <ul style="list-style-type: none"> <li>▶ Before undertaking any work, disconnect the system from the mains supply and ensure that it cannot be inadvertently turned on.</li> <li>▶ If available, deactivate the emergency opening lever / handle.</li> </ul>
	
	

 <b>WARNING</b>	
	<p><b>Falling parts</b></p> <p>During dismantling, parts may fall and injure persons or damage property.</p> <p><b>Cladding (option)</b></p> <ul style="list-style-type: none"> <li>▶ Fix the cladding (e.g. with a forklift) before dismantling.</li> </ul> <p><b>Shaft</b></p> <ul style="list-style-type: none"> <li>▶ Fix the shaft (e.g. with a forklift) before dismantling the operator.</li> </ul>

Only inspect and maintain the door yourself if you are a qualified specialist (competent person according to EN 12635). In other words, you have the suitable training, specialist knowledge and practical experience to allow you to carry out inspection and maintenance correctly and safely.

Observe all the applicable regulations governing work safety. In general, we recommend entrusting maintenance / inspection to the manufacturer's service department.

The high-speed door is low-maintenance. In normal operating conditions, all the bearings, including the gears, are lubricated for life and are maintenance-free.

### 6.1 Maintenance intervals

In compliance with the guidelines for power-operated windows, doors and gates, testing and maintenance of the door must be carried out once a year, and as far as possible at the same intervals.

Depending on the size of the door and the annual number of door cycles, we recommend the following maintenance intervals:

**In the case of a high number of door cycles (> 50000 per year):**




Servicing of the functional elements every six months:

- Electric operator and brake
- All screw connections
- Travel limit cut-off / creep speed switch-over
- Control / impulse generator

**In the case of a smaller number of door cycles:**

Annual servicing in conjunction with the stipulated test procedures.

- ▶ Check the function of the "D" devices (photocell / light grille) every six months.

<b>ATTENTION</b>	
	<p> ▶ Maintenance will be necessary, service counter expires soon</p>
	<p> ▶ Malfunction, maintenance required</p>
<p><b>NOTE:</b></p> <p>It is mandatory to replace the elements marked with (*) within the next 5,000 door cycles.</p>	

### 6.2 Wearing parts

If provided, the indicated maximum assumable cycles or door cycles apply to the following wearing parts:

Wearing parts	Cycles	Period
Operator (60% ON time)	500,000	2 years
Operator (tubular drive; 60% ON time) <sup>1)</sup>	700,000	2 years
Brake	250,000	2 years
Radio crash switch battery	-/-	2 years
Energy chain with cable	250,000	2 years
Springs	100,000	2 years
Fabric belts	100,000	2 years
Flat belts (counter weight, sections)	500,000	2 years
Rollers / slider	100,000	2 years
UPS battery	-/-	1.5 years
UPS battery (RW doors)	-/-	1 years
Hinges	100,000	2 years
Seals / sealing strip	150,000	2 years
Light grille / photocell	-/-	2 years

1) It is compulsory that components are replaced at the above-mentioned cycles.

## 7 Control

The control system is manufactured individually for each door ordered. The respectively applicable wiring diagram is included in the operator instructions.

- ▶ Add the wiring diagram and software description to these instructions.

Each control cabinet has its own identification number.

- ▶ Always quote this number in the case of queries.



## 8 Malfunctions and Troubleshooting

In the case of malfunctions, contact the Customer Service.

### Operator power


The operating voltage must be 230 V ± 5% or 460 V ± 5%. If the voltage deviates greatly from this, there may be problems with the operator power. Verify with factory.

## 9 Cleaning and Care

Use warm water together with a neutral, non-abrasive cleaning agent (household detergent, pH value 7, Isopropanol 99.9%).

To clean the surface, use only a soft cloth or window leather. Rinse off any dirt and dust particles with clear water.



## 10 Extension and Conversion

 <b>WARNING</b>	
<b>Unsuitable components</b>	
Unsuitable components could overload the door construction. This could lead to serious injury.	
▶ Only use components approved by the manufacturer.	

Only extend or convert this door system with the manufacturer's permission.

Carrying out any structural alterations to the product without the manufacturer's permission renders the warranty and product liability null and void.

## 11 Dismantling and Disposal

 <b>WARNING</b>	
	<b>Falling parts</b>
	During dismantling, parts may fall and injure persons or damage property
	<b>Cladding (option)</b>
	▶ Fix the cladding (e.g. with a forklift) before dismantling.
	<b>Shaft</b>
	▶ Fix the shaft (e.g. with a forklift) before dismantling the operator.

Only dismantle this door if you are qualified to do so. In other words, you have the suitable training, specialist knowledge and practical experience to allow you to dismantle the door correctly and safely.

Observe all the applicable regulations governing work safety when dismantling the door.

### To dismantle and dispose of the door:

1. Open the door fully.
2. Carefully roll up the door manually (emergency manual operation).

3. Tape round the door curtain several times with strong adhesive tape (e.g. packing tape) to prevent it from unrolling.
4. Drive a forklift truck with suitable pallet or supporting frame underneath the shaft, so that the shaft rests on the pallet or supporting frame.
5. Release the fastenings securing the bearing and the operator.
6. Lift the shaft or top part together with the operator off the support brackets.

### CAUTION

#### The operator may slide off the barrel journal

- ▶ When letting the shaft or top part down, take care to keep it level.
7. Dismantle the side guides or side elements and support brackets.
  8. Disassemble the door into component parts and dispose of them properly.

## Table des matières

<b>1</b>	<b>A propos de ce mode d'emploi .....</b>	<b>12</b>
1.1	Documents valables .....	12
1.2	Consignes de sécurité utilisées.....	12
1.3	Symboles utilisés.....	13
1.4	Abréviations utilisées.....	13
<b>2</b>	<b>⚠️ Consignes de sécurité.....</b>	<b>13</b>
2.1	Utilisation appropriée .....	14
2.2	Qualification du personnel.....	14
2.3	Normes et prescriptions .....	14
2.4	Consignes de sécurité générales .....	14
2.5	Consignes de sécurité concernant le fonctionnement.....	14
2.6	Consignes de sécurité pour la maintenance et la résolution des pannes .....	14
<b>3</b>	<b>Montage .....</b>	<b>15</b>
<b>4</b>	<b>Mise en service.....</b>	<b>15</b>
4.1	Réglage des positions finales.....	16
4.2	Trajet d'essai.....	16
<b>5</b>	<b>Fonctionnement.....</b>	<b>16</b>
5.1	Personnel formé .....	17
5.2	Usure normale .....	17
5.3	Arrêt d'urgence.....	17
<b>6</b>	<b>Inspection et maintenance .....</b>	<b>17</b>
6.1	Intervalle de maintenance.....	17
6.2	Pièces d'usure .....	18
<b>7</b>	<b>Commande.....</b>	<b>18</b>
<b>8</b>	<b>Pannes et dépannages.....</b>	<b>18</b>
<b>9</b>	<b>Nettoyage et entretien .....</b>	<b>18</b>
<b>10</b>	<b>Extension et modification .....</b>	<b>18</b>
<b>11</b>	<b>Démontage et élimination des déchets.....</b>	<b>18</b>



..... 28

Cher client,  
Nous vous remercions d'avoir opté pour un produit de  
qualité de notre société.

## 1 A propos de ce mode d'emploi

Cette notice se compose d'une partie texte et d'une partie illustrée. Vous trouverez cette dernière à la fin de la partie texte.

Traduction des instructions de service originales. Lisez entièrement et attentivement les présentes instructions. Elles contiennent d'importantes informations concernant ce produit. Veuillez tenir compte des remarques et respecter en particulier toutes les consignes de sécurité et de danger.

Conservez précieusement les présentes instructions et assurez-vous que tous les utilisateurs peuvent les consulter à tout moment.

Le fabricant décline toute responsabilité en cas de dommages dus à un non-respect des présentes instructions de service et de leurs consignes ou à une utilisation non conforme de la porte industrielle.

Une manœuvre appropriée et un entretien soigné déterminent dans une large mesure les prestations et la disponibilité de votre porte industrielle. Les erreurs de commande et un manque de maintenance provoquent des pannes de service qu'il est possible d'éviter. Seuls une commande professionnelle et un entretien soigneux permettent de garantir une fiabilité de service durable et satisfaisante.

Pour toute question, le service client se tient à votre disposition. Si vous avez encore des questions après avoir entièrement parcouru les présentes instructions de service, veuillez vous mettre en relation avec celui-ci.

### 1.1 Documents valables

Selon les accessoires commandés, la livraison comprend d'autres instructions, par exemple les instructions pour la commande de la porte. Veuillez lire entièrement et attentivement ces instructions. Veuillez tenir compte des remarques et respecter en particulier toutes les consignes de sécurité et de danger de ces instructions.

### 1.2 Consignes de sécurité utilisées



Ce symbole général d'avertissement désigne un danger susceptible de causer des **blessures** graves ou la **mort**. Dans la partie texte, le symbole général d'avertissement est utilisé en association avec les degrés de danger décrits ci-dessous. Dans la partie illustrée, une indication supplémentaire renvoie aux explications du texte.

#### ⚠️ DANGER

Désigne un danger provoquant inmanquablement la mort ou des blessures graves.






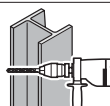

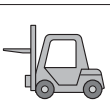




#### ⚠️ AVERTISSEMENT

Désigne un danger susceptible de provoquer la mort ou des blessures graves.



<b>⚠ CAUTION</b>
Désigne un danger susceptible de provoquer des blessures légères à moyennes.
<b>ATTENTION</b>
Désigne un danger susceptible d'endommager ou de détruire le produit.

### 1.3 Symboles utilisés

	Consigne importante pour éviter tout dommage corporel ou matériel
	Mise en garde contre une tension électrique dangereuse
	Serrez les vis à fond
	Serrez les vis à la main
	Composants optionnels
	Forer dans l'acier
	Forer dans le béton
	Utiliser un engin de levage approprié (p. ex. chariot élévateur, grue)
	Enlever les résidus
	Contrôler
	Risque d'écrasement
	Risque de cisaillement

	Risque de collision
	Risque de happement pendant le trajet de porte
	Graisser
	Arrêt de vis
	Disposition ou procédure correcte
	Disposition ou activité interdite
	Retirer l'élément de construction ou le conditionnement et l'éliminer
	Voir partie texte
	Voir partie illustrée
	Voir instructions de montage séparées de la commande ou des éléments de commande électriques additionnels

### 1.4 Abréviations utilisées

EN	Norme européenne
FFL	Sol fini
DW	Passage libre en largeur
DH	Passage libre en hauteur
Unités	mm ou (inches) Nm ou (ft - lb) mm <sup>2</sup> ou (ft <sup>2</sup> )

## 2 ⚠ Consignes de sécurité

Dans le cadre d'une utilisation conforme aux instructions, les portes industrielles sont parfaitement fiables. En cas d'utilisation non conforme ou contraire aux instructions, elles peuvent présenter certains dangers. Nous attirons expressément l'attention des utilisateurs quant aux consignes de sécurité dans chaque chapitre.

## 2.1 Utilisation appropriée

Les portes industrielles sont conçues pour fermer les ouvertures de passage, fermer les locaux de manière sûre, protéger les machines, réduire les dépenses énergétiques, améliorer la température de la pièce et accélérer le flux de matériaux.

L'utilisation conforme implique également le respect des présentes instructions et des conditions d'inspection et de maintenance.

Toute autre utilisation est considérée comme non appropriée. Le fabricant / fournisseur décline toute responsabilité quant aux dommages en résultant. L'utilisateur est tenu pour seul responsable.

## 2.2 Qualification du personnel

L'installation, le service et la maintenance sont réservés aux personnes qualifiées et formées.

Avant le début des travaux, le personnel chargé des travaux sur la porte industrielle doit avoir lu les présentes instructions, en particulier le chapitre 2.

Veillez déterminer les compétences de manière claire en matière de commande, de maintenance et de réparations afin d'éviter tout conflit de compétences d'un point de vue de la sécurité.

## 2.3 Normes et prescriptions

Veillez au minimum tenir compte des normes et directives européennes suivantes, ainsi que de toutes les réglementations, normes et prescriptions spécifiques à chaque pays :

### Normes

ANSI/DASMA 108-2017	Méthode standard pour tester les portes de garage sectionnelles, les portes roulantes et les portes souples : détermination de la performance structurelle sous une différence de pression d'air statique uniforme
UL325	Norme de sécurité : motorisations et systèmes de porte, rideau, portail, persienne et fenêtre

### Réglementation électrique

NFPA70	Installations électriques avec équipement électronique <i>**Veillez noter que les réglementations locales doivent être prises en compte mais ne sont pas énumérées**</i>
--------	---

### Prescriptions de prévention des accidents

NFPA70	Installations et moyens de service électriques
ASR A1.7	Règles techniques pour locaux de travail

## 2.4 Consignes de sécurité générales

- Tenez compte des règlements légaux généralement admis et des autres règlements faisant foi en matière de prévention des accidents et de protection de l'environnement, les prescriptions nationales ainsi que les règles techniques reconnues pour les travaux de sécurité et spécialisés. Veuillez procéder à une initiation du personnel quant aux règles et prescriptions avant le début des travaux.
- Veuillez toujours conserver les présentes instructions à portée de main sur le site d'installation de la porte industrielle.
- Ne procédez à aucune modification, extension ou transformation de la porte industrielle susceptible d'affecter la sécurité, sans sollicitation préalable d'une autorisation auprès du fournisseur.
- Ne procédez à aucune modification des systèmes de commandes programmables via le logiciel.
- Indiquez clairement la localisation et la commande des extincteurs par des plaques d'identification. Respectez les prescriptions légales d'alarme d'incendie et de lutte contre le feu.
- Ne procédez aux divers travaux sur la porte, aux travaux de maintenance, de nettoyage et de contrôle que lorsque l'installation est à l'arrêt complet.
- Faites effectuer les raccordements électriques uniquement par un électricien professionnel.
- Avant tout travail électrique, mettez l'installation hors tension et protégez-la de toute remise en marche intempestive. Si présent, mettez le levier de l'ouverture de secours hors service.

## 2.5 Consignes de sécurité concernant le fonctionnement

- Avant d'actionner la porte, assurez-vous qu'aucune personne et qu'aucun objet ne se trouve dans la zone de déplacement de la porte.
- Durant le fonctionnement de la porte, ne vous approchez pas du guidage ou de la zone d'entrée.
- N'actionnez la porte industrielle que lorsque celle-ci se trouve dans un état de fonctionnement sûr et irréprochable. Tous les dispositifs de sécurité et de blocage tels que les dispositifs de sécurité amovibles et les dispositifs d'arrêt d'urgence, doivent être présents et en état de fonctionnement.
- Ne procédez à aucune modification des dispositifs de blocage et ne les mettez pas hors service.

## 2.6 Consignes de sécurité pour la maintenance et la résolution des pannes

- Procédez aux travaux d'inspection et de maintenance décrits au chapitre 6. Respectez les intervalles de maintenance et les indications de remplacement de pièces / équipements de pièces.
- Ne confiez les travaux de maintenance et la réparation des pannes qu'à un personnel formé.
- Utilisez exclusivement des pièces détachées satisfaisant aux exigences techniques fixées par le fabricant. Les pièces détachées d'origine satisfont toujours à cette condition.

- Ne procédez à des travaux de soudure, de brasage ou de meulage sur la porte industrielle que lorsque ceux-ci sont expressément autorisés. Il peut par exemple y avoir un risque d'incendie ou d'explosion! Avant le soudage, le brasage ou le meulage, retirez toute poussière et matière combustible de la porte industrielle et de son entourage en raison du risque d'explosion, puis assurez-vous d'une aération suffisante (risque d'explosion!).
- Avant de démonter la motorisation, fixez l'arbre sur le côté motorisation (à l'aide d'un chariot à fourche par exemple).

### 3 Montage

#### DANGER

##### Tension secteur!

Tout contact avec la tension secteur peut entraîner une décharge électrique mortelle. Par conséquent, veuillez impérativement respecter les consignes suivantes :

- ▶ Faites effectuer les raccordements électriques uniquement par un électricien professionnel.
- ▶ Assurez-vous que l'installation électrique par l'utilisateur satisfait aux dispositions de sécurité et de protection en vigueur.
- ▶ Assurez-vous que les prescriptions nationales en matière de fonctionnement des appareils électriques sont respectées.
- ▶ Montez la commande de la motorisation de porte industrielle à portée de vue de la porte.
- ▶ Avant tout travail électrique, mettez l'installation hors tension et protégez-la de toute remise en marche intempestive.

#### ATTENTION

##### Courant étranger

Un courant étranger aux bornes de raccordement de la commande entraîne une destruction de l'électronique.

- ▶ N'appliquez aucun courant étranger aux bornes de raccordement de la commande (par ex. tension secteur).

#### ATTENTION

##### Forces de traction aux câbles électriques

Des forces de traction aux câbles électriques provoquent une destruction de l'électronique.

- ▶ Ne tirez jamais sur les câbles de raccordement des composants électriques.

#### REMARQUE :

Les accessoires de fixation fournis sont homologués pour les types de surface suivants.

Vis pour béton :	Surface de montage en béton fissuré C20/25, béton non fissuré C20/25 et maçonnerie.
Chevilles à tige longue :	Surface de montage en béton C12/15, béton cellulaire, brique pleine silico-calcaire et brique pleine.
Vis métriques :	Surface de montage en acier ; veillez à une épaisseur de matériau et une résistance appropriées.

Pour tout autre type de surface, des accessoires de fixation adaptés (non fournis) doivent être sélectionnés.

#### REMARQUE :

Pour l'installation des raccordements électriques et le montage d'éléments de commande électriques supplémentaires, veuillez tenir compte des autres instructions livrées.

#### Pour le montage de la porte :

1. Protégez la construction.
2. Vérifiez les conditions de pose de la porte et les dimensions de montage.
3. Assurez-vous de la qualité de la résistance du sol.
4. Sélectionnez des moyens de fixation appropriés.
5. Déballez la porte et vérifiez que celle-ci n'est pas endommagée.
6. En cas de livraison par une entreprise de transport : veuillez communiquer immédiatement les dommages éventuels.
7. Assurez-vous que la livraison est complète.
8. Éliminez l'emballage.
9. Montez la porte comme décrit dans la partie illustrée.





### 4 Mise en service

#### AVERTISSEMENT

##### Porte défectueuse

Une porte défectueuse est susceptible de provoquer des dommages corporels ou matériels.

- ▶ Ne mettez la porte en service que si celle-ci se trouve dans un état irréprochable.

 <b>AVERTISSEMENT</b>	
  	<p><b>Mouvements de porte</b></p> <p>Des mouvements de porte peuvent provoquer des dommages corporels ou matériels.</p> <ul style="list-style-type: none"> <li>▶ Durant le fonctionnement de la porte, assurez-vous qu'aucune personne ou aucun objet ne se trouve dans la zone de fermeture de la porte.</li> <li>▶ Ne soulevez jamais des objets et/ou des personnes accrochés à la porte.</li> <li>▶ Durant le fonctionnement de la porte, ne vous approchez pas du guidage, de la zone d'entrée, de la chaîne, de la roue dentée ou de la poulie de renvoi.</li> </ul>

#### 4.1 Réglage des positions finales

Les positions finales de la porte sont réglées dans le boîtier de commande.

##### REMARQUE :

Respectez les instructions d'utilisation de la motorisation et de la commande.

##### 4.1.1 Position finale FERME

<b>ATTENTION</b>
<p><b>Dépassement de la position finale FERME</b></p> <p>En cas de dépassement de la fin de course <i>Fermé</i>, le profilé de fermeture risque d'être écrasé. Ce dépassement peut gêner l'activation des diodes de la barrière photoélectrique.</p> <ul style="list-style-type: none"> <li>▶ Ne dépassez pas la position finale <i>Fermé</i>.</li> </ul>

- ▶ Réglez la position finale *Fermé* de manière à ce que le profil de fermeture touche complètement le sol. En cas de bourrage du guidage ou en cas de sol irrégulier, prenez le niveau du côté inférieur de la partie latérale comme position finale.

##### 4.1.2 Position finale OUVERT

<b>ATTENTION</b>
<p><b>Dépassement de la position finale OUVERT</b></p> <p>En cas de dépassement de la position finale <i>Ouvert</i>, le tablier de porte risque de glisser des rails de guidage et d'être endommagé.</p> <ul style="list-style-type: none"> <li>▶ Ne dépassez pas la position finale <i>Ouvert</i>.</li> </ul>





- ▶ Réglez la position finale *Ouvert* de manière à ce que la distance jusqu'au côté inférieur du profil de fermeture corresponde à la dimension de hauteur de porte.

#### 4.2 Trajet d'essai

1. Au terme du montage, testez la sécurité de fonctionnement après le contrôle/le protocole de remise.
2. Vérifiez dans le carnet d'essai (daté et signé) qu'un trajet d'essai a été réussi.

3. Remettez l'ensemble de la documentation de l'installation de porte au propriétaire ou à l'exploitant.

## 5 Fonctionnement

 <b>AVERTISSEMENT</b>	
  	<p><b>Mouvements de porte</b></p> <p>Des mouvements de porte peuvent provoquer des dégâts corporels ou matériels.</p> <ul style="list-style-type: none"> <li>▶ Durant le fonctionnement de la porte, assurez-vous qu'aucune personne ou aucun objet ne se trouve dans la zone de fermeture de la porte.</li> <li>▶ Avant d'entrer ou de sortir, assurez-vous que la porte est également complètement ouverte. Le franchissement de la porte par un véhicule ou une personne n'est permis que lorsque la porte est en position finale <b>OUVERT</b>.</li> <li>▶ Avant d'entrer ou de sortir, assurez-vous que le passage libre en hauteur exigé est disponible.</li> <li>▶ Ne soulevez jamais des objets et/ou des personnes accrochés à la porte.</li> <li>▶ Durant le fonctionnement de la porte, ne vous approchez pas du guidage ou de la zone de guidage.</li> </ul>

<b>ATTENTION</b>
<p><b>Dispositifs de commande de secours</b></p> <p>Une utilisation trop fréquente des dispositifs de commande de secours est susceptible d'endommager ces derniers. En outre, la garantie légale de la porte perd toute validité.</p> <ul style="list-style-type: none"> <li>▶ Veuillez n'utiliser les dispositifs de commande de secours qu'en cas de panne de courant ou lors de travaux de réparation.</li> </ul>

<b>ATTENTION</b>
<p><b>Produits agressifs, vent et chaleur</b></p> <p>Des produits agressifs, le vent et la chaleur sont susceptibles d'endommager la porte.</p> <ul style="list-style-type: none"> <li>▶ Protégez la porte des produits agressifs : <ul style="list-style-type: none"> <li>– Salpêtre dégagé par les briques ou le mortier</li> <li>– Ciment</li> <li>– Plâtre</li> <li>– Acides</li> <li>– Bases</li> <li>– Sel d'épandage</li> <li>– Peintures agressives</li> <li>– Matériaux d'étanchéité agressifs</li> </ul> </li> <li>▶ N'ouvrez et ne fermez pas la porte en cas de vent (pas de porte extérieure).</li> <li>▶ Evitez les températures supérieures à 50 °C à proximité de la porte.</li> </ul>

### 5.1 Personnel formé

La porte doit uniquement être manœuvrée par un personnel formé. Une personne est considérée comme formée (selon la norme EN 12453) lorsqu'elle a été initiée à une commande sans danger de la porte et lorsqu'elle a reçu une autorisation d'utilisation de l'installation de porte de la part du propriétaire.


### 5.2 Usure normale


La construction de la porte de garage roulante est conforme aux techniques les plus modernes. Les marques de pression et d'abrasion sont inévitables en raison du type de construction.





### 5.3 Arrêt d'urgence



- ▶ En situation d'urgence, mettez la commande hors tension en actionnant l'interrupteur principal, en retirant la fiche ou en actionnant, si présent, le bouton rouge d'arrêt d'urgence.

## 6 Inspection et maintenance

 <b>AVERTISSEMENT</b>
<p><b>Porte non entretenue</b></p> <p>Si la porte n'est pas inspectée et entretenue régulièrement, il existe un risque de blessures et de dommages. En outre, la garantie légale de la porte perd toute validité.</p> <ul style="list-style-type: none"> <li>▶ Inspectez la porte régulièrement et maintenez-la en état comme décrit dans les présentes instructions ou chargez-en le service fabricant.</li> </ul>

 <b>DANGER</b>
<p><b>Tension secteur!</b></p> <p>Tout contact avec la tension secteur peut entraîner une décharge électrique mortelle.</p> <ul style="list-style-type: none"> <li>▶ Avant tout travail électrique, mettez l'installation hors tension et protégez-la de toute remise en marche intempestive.</li> </ul>

 <b>AVERTISSEMENT</b>	
  	<p><b>Mouvements de porte</b></p> <p>Tout actionnement de la porte durant les travaux d'inspection et de maintenance entraîne un risque de blessures et de dommages matériels.</p> <ul style="list-style-type: none"> <li>▶ Avant tout travail, mettez l'installation hors tension et protégez-la de toute remise en marche intempestive.</li> <li>▶ Si présent, mettez le levier / la poignée de l'ouverture de secours hors service.</li> </ul>

 <b>AVERTISSEMENT</b>	
	<p><b>Chute de pièces</b></p> <p>Lors du démontage de la porte, des pièces peuvent tomber et provoquer des dommages corporels ou matériels.</p> <p><b>Revêtement (en option)</b></p> <ul style="list-style-type: none"> <li>▶ Avant de démonter la porte, fixez le revêtement (par exemple à l'aide d'un chariot à fourche).</li> </ul> <p><b>Arbre</b></p> <ul style="list-style-type: none"> <li>▶ Avant de démonter la motorisation, fixez l'arbre (à l'aide d'un chariot à fourche par exemple).</li> </ul>

Inspectez la porte et maintenez-la en état uniquement si vous êtes un spécialiste (personne compétente conformément à la norme EN 12635). Cela signifie que vous disposez d'une formation appropriée, de connaissances qualifiées et d'une expérience pratique pour une exécution correcte et sûre de l'inspection et de la maintenance.

Respectez toutes les prescriptions en matière de sécurité sur le lieu de travail.

De manière générale, nous recommandons de confier l'inspection et la maintenance au service fabricant.

La porte rapide est à faible entretien. En conditions d'exploitation normales, tous les paliers, transmissions comprises, sont lubrifiés à vie et sans entretien.

### 6.1 Intervalle de maintenance

Conformément aux directives pour les fenêtres, portes et portails à commande électrique, le contrôle et la maintenance de la porte doivent être effectués une fois par an et, dans la mesure du possible, aux mêmes intervalles.

Selon les dimensions de porte et les cycles de fonctionnement annuels, nous recommandons les intervalles de maintenance suivants :

#### En cas de cycles de fonctionnement très élevés (> 50 000 par an) :

Maintenance semestrielle des éléments de fonctionnement suivants :




- Motorisation électrique et frein
- Tous les assemblages à vis
- Sécurité d'arrêt en position finale/passage à la marche lente
- Commande/élément de commande à impulsion

#### En cas de cycles de fonctionnement moindres :

Révision annuelle de manière conjointe avec les procédures de test spécifiées.

- ▶ Assurez-vous tous les six mois du bon fonctionnement des dispositifs de passage (cellule photoélectrique/barrière photoélectrique).



<b>ATTENTION</b>	
	 ► La maintenance va être requise, le compteur de service expire bientôt
	 ► Dysfonctionnement, maintenance requise
<b>REMARQUE :</b> Les composants marqués d'une (*) dans le tableau des pièces d'usure doivent être remplacés dans les 5000 cycles de charge suivants.	

## 6.2 Pièces d'usure

Le cas échéant, le nombre maximal admis de cycles et d'inversions d'effort indiqué est valable pour les pièces d'usure suivantes :

Pièces d'usure	Cycles	Intervalle
Motorisation (indice de charge 60 %)	500000	2 ans
Motorisation (moteur tubulaire, indice de charge 60 %) <sup>1)</sup>	700000	2 ans
Frein	250000	2 ans
Batterie interrupteur anti-crash radio	-/-	2 ans
Chaîne de puissance avec câble	250000	2 ans
Ressorts	100000	2 ans
Bandes en tissu	100000	2 ans
Courroie plate (contrepoids, panneaux)	500000	2 ans
Roulettes de guidage/patin	100000	2 ans
Batterie UPS	-/-	1,5 ans
Batterie UPS (portes RW)	-/-	1 an
Charnières	100000	2 ans
Joints/Listels d'étanchéité	150000	2 ans
Barrière photoélectrique	-/-	2 ans

1) Pour les cycles ci-dessus, les composants doivent impérativement être remplacés.

## 7 Commande

Le système de commande est fabriqué individuellement pour chaque porte commandée. Le schéma de câblage applicable est respectivement inclus dans les instructions de commande.

- Veuillez ajouter le schéma électrique et la description des logiciels aux présentes instructions.

Chaque boîtier de commande possède un numéro.

- Pour toute demande de précision, veuillez indiquer ce numéro.

## 8 Pannes et dépannages

En cas de pannes, veuillez vous adresser au service client.

### Performance de la motorisation

La tension de service doit être de 230 V ± 5 % ou de 460 V ± 5 %. Des écarts plus importants peuvent engendrer des problèmes de performance de la motorisation. Vérifiez avec l'usine.

## 9 Nettoyage et entretien

Utilisez de l'eau chaude avec un détergent neutre non abrasif (nettoyant ménager, valeur pH 7, Isopropanol 99,9 %).

Pour le nettoyage, utilisez uniquement un chiffon doux ou une peau de chamois. Rincez les particules de crasse et de poussière à l'eau claire.

## 10 Extension et modification

### **AVERTISSEMENT**

#### Éléments de construction non adaptés

Des éléments de construction non adaptés risquent de surcharger la construction de porte. Cela peut provoquer des blessures mortelles.

- Veuillez utiliser exclusivement des pièces autorisées par le fabricant.

Procédez à une extension ou à une modification de l'installation de porte uniquement après obtention d'une autorisation de la part du fabricant.

Si vous entreprenez des modifications de construction sans l'accord préalable du fabricant, la garantie ainsi que la responsabilité produit ne seront plus valables.

## 11 Démontage et élimination des déchets

### **AVERTISSEMENT**



#### Chute de pièces

Lors du démontage de la porte, des pièces peuvent tomber et provoquer des dommages corporels ou matériels.

#### Revêtement (en option)

- Fixez le revêtement (par exemple à l'aide d'un chariot à fourche) avant de démonter celles-ci.

#### Arbre

- Fixez l'arbre (par ex. à l'aide un chariot élévateur) avant de démonter les tôles de protection du logement d'arbre.

Ne démontez cette porte que si vous êtes qualifié à le faire. Cela signifie que vous disposez d'une formation appropriée, de connaissances spécialisées et d'une expérience pratique pour un démontage correct et sûr.

Lors du démontage, respectez toutes les prescriptions en matière de sécurité sur le lieu de travail.

**Pour le démontage et l'élimination de la porte :**

1. Ouvrez intégralement la porte.
2. Enroulez prudemment le rideau avec la commande manuelle d'urgence.
3. Enveloppez le tablier plusieurs fois à l'aide d'une bande adhésive solide (par exemple bande adhésive d'emballage), afin qu'il ne puisse plus se dérouler.
4. Placez le chariot élévateur avec un palette adaptée ou un support adapté sous l'arbre de manière telle que ce dernier repose sur la palette ou le support.
5. Enlevez les fixations du palier et de la motorisation.
6. Soulevez l'arbre ou la partie supérieure avec motorisation des consoles.

**ATTENTION**

**L'arbre est susceptible de glisser du tourillon pour arbre d'enroulement**

- ▶ Lorsque vous reposez l'arbre ou la partie supérieure, assurez-vous que ceux-ci sont à l'horizontale.
7. Démontez les rails de guidage ou les parties latérales ainsi que les consoles.
  8. Démontez la porte en pièces détachées que vous éliminerez de façon adaptée.

Índice

1 **Acerca de estas instrucciones** ..... 20

1.1 Otros documentos vigentes ..... 20

1.2 Indicaciones de advertencia utilizadas..... 20

1.3 Símbolos utilizados ..... 21

1.4 Abreviaturas utilizadas..... 21

2 **⚠ Indicaciones de seguridad** ..... 21

2.1 Uso apropiado ..... 22

2.2 Cualificación del personal ..... 22

2.3 Normas y prescripciones..... 22

2.4 Indicaciones de seguridad generales..... 22

2.5 Indicaciones de seguridad para el funcionamiento ..... 22

2.6 Indicaciones de seguridad para el mantenimiento y la solución de fallos..... 22

3 **Montaje**..... 23

4 **Puesta en marcha**..... 23

4.1 Ajuste de las posiciones finales ..... 24

4.2 Funcionamiento de prueba ..... 24

5 **Funcionamiento** ..... 24

5.1 Personal instruido..... 25

5.2 Desgaste normal ..... 25

5.3 Parada de emergencia ..... 25

6 **Comprobación y mantenimiento**..... 25

6.1 Intervalos de mantenimiento ..... 25

6.2 Piezas de desgaste ..... 26

7 **Cuadro de maniobra**..... 26

8 **Averías y solución de averías** ..... 26

9 **Limpeza y cuidado**..... 26

10 **Ampliación y modernización** ..... 26

11 **Desmontaje y reciclaje**..... 26



..... 28

Estimada cliente, estimado cliente:  
Nos complace que se haya decidido por un producto de calidad de nuestra casa.

1 **Acerca de estas instrucciones**

Estas instrucciones están divididas en una parte de texto y una parte de ilustraciones. La parte de las ilustraciones se encuentra a continuación de la parte de texto.

Traducción del manual original. Lea estas instrucciones íntegra y cuidadosamente, ya que contienen información importante sobre el producto. Tenga en cuenta las indicaciones, en particular las indicaciones de seguridad y de advertencia.

Guarde estas instrucciones cuidadosamente y asegúrese de que se encuentren siempre en un lugar accesible para el usuario del producto.

El fabricante no asume responsabilidad alguna por daños debidos a la no observación de estas instrucciones de funcionamiento, así como sus indicaciones o a un uso no apropiado de la puerta industrial.

El manejo y mantenimiento correctos influyen en gran medida sobre el rendimiento y la disponibilidad de su puerta industrial. Los errores de manejo y el mantenimiento deficiente pueden causar problemas de funcionamiento evitables. La seguridad de funcionamiento duradera y satisfactoria sólo se garantiza con un correcto manejo y un cuidadoso mantenimiento.

Nuestro servicio de atención al cliente responderá gustosamente sus preguntas. Diríjase a nuestro servicio de atención al cliente si después de estudiar las instrucciones de funcionamiento todavía tiene dudas.

1.1 **Otros documentos vigentes**

Según los complementos pedidos el volumen de suministro incluye otras instrucciones, p. ej. las instrucciones del cuadro de maniobra de la puerta. Lea estas instrucciones íntegra y cuidadosamente. Tenga en cuenta las indicaciones, en particular las indicaciones de seguridad y de advertencia, incluidas en estas instrucciones.

1.2 **Indicaciones de advertencia utilizadas**



El símbolo de advertencia general indica un peligro que puede provocar **lesiones** o **la muerte**. En el texto se utiliza el símbolo de advertencia general combinado con los niveles de advertencia que se describen a continuación. En la parte de ilustraciones una indicación especial hace referencia a las explicaciones del texto.

**⚠ PELIGRO**

Indica un peligro que puede provocar directamente la muerte o lesiones graves.

**⚠ ADVERTENCIA**

Indica un peligro que puede provocar lesiones graves o la muerte.



<b>⚠ PRECAUCIÓN</b>
Indica un peligro que puede provocar lesiones leves o de importancia media.
<b>⚠ ATENCIÓN</b>
Indica un peligro que puede <b>dañar o destruir el producto</b> .

**1.3 Símbolos utilizados**

	Indicación importante para evitar daños personales y materiales
	Advertencia contra tensión eléctrica peligrosa
	Apretar los tornillos fijamente
	Apretar tornillos con la mano
	Componentes opcionales
	Taladrar en acero
	Taladrar en hormigón
	Utilizar un dispositivo elevador adecuado (p. ej. carretilla elevadora, grúa)
	Retirar los residuos
	Comprobar
	Peligro de aprisionamiento
	Peligro de cizallamiento

	Peligro de golpe
	Peligro de aprehensión durante el movimiento de la puerta
	Lubricar
	Seguro para tornillo
	Disposición o actividad correcta
	Disposición o actividad no permitida
	Retirar y eliminar el componente o el embalaje
	Ver parte de texto
	Ver parte de ilustraciones
	Ver instrucciones de montaje separadas del cuadro de maniobra o de los elementos de mando eléctricos adicionales

**1.4 Abreviaturas utilizadas**

EN	Norma Europea
FFL	Canto superior del suelo acabado
DW	Ancho de luz de paso libre
DH	Alto de luz de paso libre
Unidades	mm y (inches)
	Nm y (ft - lb)
	mm <sup>2</sup> y (ft <sup>2</sup> )

**2 ⚠ Indicaciones de seguridad**

Las puertas industriales son seguras si se usan de forma correcta y para el uso apropiado. El uso incorrecto o distinto al uso apropiado puede ser peligroso. Por este motivo, hacemos referencia de manera explícita a las indicaciones de seguridad en cada capítulo.

## 2.1 Uso apropiado

Las puertas industriales se usan para cerrar aperturas de paso, para cerrar de forma segura espacios, para proteger máquinas, para ahorrar costes de energía, para mejorar el clima ambiental y para acelerar el flujo de material.

El uso apropiado incluye la observancia de las presentes instrucciones y el cumplimiento de las condiciones de inspección y mantenimiento.

Cualquier otro uso no es un uso apropiado. El fabricante / proveedor no asume responsabilidad alguna por daños resultantes de un uso no apropiado. El riesgo recae sobre el usuario.

## 2.2 Cualificación del personal

Los trabajos de instalación, funcionamiento y mantenimiento deben realizarse sólo por personal cualificado e instruido.

Antes de iniciar los trabajos, el personal encargado de trabajar en la puerta industrial debe haber leído las presentes instrucciones, en especial el capítulo 2.

Asigne claramente las competencias de funcionamiento, mantenimiento y reparación para que no haya dudas sobre las responsabilidades en cuanto a la seguridad.

## 2.3 Normas y prescripciones

Tenga en cuenta por lo menos las siguientes normas y directivas europeas, así como todas las disposiciones de seguridad, normas y prescripciones específicas del país de utilización:

### Normas

ANSI/DASMA 108-2017	Método estándar para probar puertas de garaje seccionales, puertas enrollables y puertas flexibles: determinación del desempeño estructural bajo diferencia de presión de aire estática uniforme
UL325	Estándar de seguridad: operadores y sistemas de puertas, cortinas, portones, persianas y ventanas

### Regulaciones eléctricas

NFPA70	Instalaciones eléctricas con equipo electrónico <i>**Tenga en cuenta que se deben considerar las regulaciones locales, pero estas no están listadas**</i>
--------	--

### Normas de prevención de accidentes

NFPA70	Instalaciones eléctricas y medios de funcionamiento
ASR A1.7	Regulaciones técnicas para puestos de trabajo

## 2.4 Indicaciones de seguridad generales

- Tenga en cuenta las normas generales, legales y de otra índole vigentes sobre la prevención de accidentes y la protección del medio ambiente, las prescripciones nacionales y otras normas específicas para la seguridad laboral. Instruya al personal según estas normas y prescripciones antes de iniciar los trabajos.
- Guarde estas instrucciones en el lugar de uso de la puerta industrial de modo que siempre estén accesibles.
- No realice ninguna modificación mediante ampliaciones o reformas de la puerta que puedan poner en peligro su seguridad sin previa autorización por el proveedor.
- No realice modificaciones en el software de sistemas de control programables.
- Señale el emplazamiento de los extintores y describa su funcionamiento mediante los correspondientes rótulos. Observe las normativas legales de detección y extinción de incendios.
- Únicamente realice trabajos en la puerta industrial, tal como trabajos de mantenimiento, limpieza y controles, con la puerta industrial fuera de servicio.
- Encargue las conexiones eléctricas sólo a un especialista.
- Antes de realizar trabajos eléctricos, desconecte la instalación de la tensión y asegúrese de que no pueda ser reconectada accidentalmente. En su caso, ponga fuera de servicio la palanca para la apertura de emergencia.

## 2.5 Indicaciones de seguridad para el funcionamiento


- Antes de accionar la puerta asegúrese de que no se encuentren personas u objetos en la zona de movimiento de la puerta.
- Durante el funcionamiento de la puerta no introduzca sus manos en la guía o en la entrada del enrollamiento.
- Únicamente accione la puerta industrial si se encuentra en un estado seguro y operativo. Todos los dispositivos de protección y los dispositivos de seguridad, tal como dispositivos de protección activables y dispositivos de parada de emergencia deben estar presentes y operativos.
- No modifique los dispositivos de seguridad y no los ponga fuera de servicio.

## 2.6 Indicaciones de seguridad para el mantenimiento y la solución de fallos

- Realice los trabajos de comprobación y mantenimiento prescritos en el capítulo 6. Observe los intervalos de mantenimiento y tenga en cuenta las indicaciones sobre la sustitución de componentes / equipamientos.
- Encargue la realización de los trabajos de mantenimiento y solución de fallos únicamente a personal especializado.
- Utilice únicamente repuestos que cumplan los requisitos técnicos establecidos por el fabricante. Esto siempre está garantizado con repuestos originales.

- Únicamente realice trabajos de soldadura, quemado y esmerilaje en la puerta industrial si tiene una autorización explícita. Existe peligro de p. ej. fuego y explosión. Antes de realizar los trabajos de soldadura, quemado y esmerilaje en la puerta industrial y en sus alrededores, asegúrese de que no haya polvo, ni sustancias inflamables y provea suficiente ventilación para evitar el peligro de explosión.
- Antes de desmontar el automatismo fije el eje en el lado del automatismo (p. ej. con una carretilla elevadora).

### 3 Montaje

 PELIGRO
<p><b>Tensión de red</b></p> <p>En caso de contacto con la tensión de red existe peligro de calambre mortal. Por este motivo, tenga en cuenta las siguientes indicaciones:</p> <ul style="list-style-type: none"> <li>▶ Encargue las conexiones eléctricas sólo a un especialista.</li> <li>▶ Asegúrese de que la instalación eléctrica en la obra cumple las normativas vigentes de seguridad y protección.</li> <li>▶ Preste atención a que se cumpla la normativa vigente en su país para el funcionamiento de aparatos eléctricos.</li> <li>▶ Monte el cuadro de maniobra del automatismo para puerta industrial en el campo de visión de la puerta.</li> <li>▶ Antes de realizar trabajos eléctricos, desconecte la instalación de la tensión y asegúrese de que no pueda ser reconectada accidentalmente.</li> </ul>

ATENCIÓN
<p><b>Tensión externa</b></p> <p>La presencia de corriente externa en los bornes de conexión del cuadro de maniobra puede destruir toda la electrónica.</p> <ul style="list-style-type: none"> <li>▶ No conecte corriente externa en los bornes de conexión del cuadro de maniobra (p. ej. tensión de red).</li> </ul>

ATENCIÓN
<p><b>Fuerzas de tracción en cables eléctricos</b></p> <p>Las fuerzas de tracción en cables eléctricos pueden deteriorar la electrónica.</p> <ul style="list-style-type: none"> <li>▶ No tire nunca de los cables de conexión de los componentes eléctricos.</li> </ul>

**NOTA:**

El material de fijación suministrado está homologado para las siguientes superficies.

Tornillos para hormigón:	Base de montaje de hormigón roto C20/25, hormigón intacto C20/25 y mampostería.
Tacos de caña larga:	Base de montaje de hormigón C12/15, hormigón poroso, piedra maciza caliza y ladrillo macizo.
Tornillos métricos:	Base de montaje de acero, se debe prestar atención al grosor de material y resistencia adecuados.

En caso de disponer de otras superficies, se deberá seleccionar un material de fijación adecuado (no incluido en el volumen de entrega).


**NOTA:**





Tenga en cuenta las demás instrucciones adjuntas para la instalación de las conexiones eléctricas y el montaje de elementos de mando eléctricos adicionales.

**Para montar la puerta:**

1. Asegure el lugar de la obra.
2. Compruebe las condiciones de montaje de la puerta y las medidas en la obra.
3. Compruebe la calidad del suelo respecto a su resistencia.
4. Seleccione el material de fijación apropiado.
5. Desembale la puerta y compruebe si presenta daños.
6. En caso de suministro por una agencia de transportes: comunique cualquier daño inmediatamente.
7. Compruebe que el suministro esté completo.
8. Elimine el material de embalaje.
9. Monte la puerta como se muestra en la parte de las ilustraciones.

### 4 Puesta en marcha

 ADVERTENCIA
<p><b>Puerta defectuosa</b></p> <p>Con una puerta defectuosa se pueden lesionar personas o dañar objetos.</p> <ul style="list-style-type: none"> <li>▶ Sólo accione la puerta si se encuentra en perfecto estado.</li> </ul>

 <b>ADVERTENCIA</b>	
  	<p><b>Movimientos de puerta</b></p> <p>Mediante los movimientos de puerta se pueden lesionar personas o dañar aparatos.</p> <ul style="list-style-type: none"> <li>▶ Asegúrese que no se encuentren personas o materiales en la zona de cierre de la puerta durante su funcionamiento.</li> <li>▶ No levante jamás objetos o personas con la puerta.</li> <li>▶ No introduzca sus manos en el carril-guía, en la entrada del enrollamiento, en la cadena, en la rueda dentada o en la polea de inversión durante el funcionamiento de la puerta.</li> </ul>

#### 4.1 Ajuste de las posiciones finales

Las posiciones finales de la puerta se ajustan en el armario de mando.

**NOTA:**

Siga las instrucciones del automatismo y del cuadro de maniobra.

##### 4.1.1 Posición final “Puerta cerrada”

<b>ATENCIÓN</b>
<p><b>Exceso de la posición final <i>Puerta cerrada</i></b></p> <p>Si se sobrepasa la posición final <i>Puerta cerrada</i>, existe peligro de comprimir el perfil del remate. Esto podría interferir negativamente en la desactivación de los diodos de la rejilla fotoeléctrica.</p> <ul style="list-style-type: none"> <li>▶ No exceda la posición final <i>Puerta cerrada</i>.</li> </ul>

- ▶ Ajuste la posición final *Puerta cerrada* de modo que el perfil de remate toque el suelo en todo su largo. En caso de recalzamiento de la guía o de un suelo desnivelado use de referencia para la posición final el nivel del borde inferior del lateral.

##### 4.1.2 Posición final “Puerta abierta”





<b>ATENCIÓN</b>
<p><b>Exceso de la posición final <i>Puerta abierta</i></b></p> <p>Si se sobrepasa la posición final <i>Puerta abierta</i>, existe peligro de que la hoja o persiana resbale saliéndose de los carriles-guía y se dañe.</p> <ul style="list-style-type: none"> <li>▶ No exceda la posición final <i>Puerta abierta</i>.</li> </ul>

- ▶ Ajuste la posición final *Puerta abierta* de modo que la distancia hasta el borde inferior del perfil de remate corresponda al alto de la puerta.

#### 4.2 Funcionamiento de prueba

1. Después de finalizar el montaje compruebe la seguridad de funcionamiento según el protocolo de entrega.
2. Confirme en el libro de comprobación, con fecha y firma, si el funcionamiento de prueba se ha realizado con éxito.
3. Entregue toda la documentación de la puerta al propietario o usuario de la instalación de puerta.

### 5 Funcionamiento

 <b>ADVERTENCIA</b>	
  	<p><b>Movimientos de puerta</b></p> <p>Mediante los movimientos de puerta se pueden lesionar personas o dañar aparatos.</p> <ul style="list-style-type: none"> <li>▶ Asegúrese que no se encuentren personas o materiales en la zona de cierre de la puerta durante su funcionamiento.</li> <li>▶ Asegúrese de que la puerta está completamente abierta antes de entrar o salir. Las instalaciones de las puertas sólo deben ser atravesadas a pie o en el vehículo cuando la puerta se haya parado.</li> <li>▶ Antes de entrar o salir, asegúrese de que el alto de paso sea suficiente.</li> <li>▶ No levante jamás objetos o personas con la puerta.</li> <li>▶ Durante el funcionamiento de la puerta no introduzca sus manos en la guía o en la entrada del enrollamiento.</li> </ul>

<b>ATENCIÓN</b>
<p><b>Dispositivos de manejo de emergencia</b></p> <p>Si se usan los dispositivos de manejo de emergencia con demasiada frecuencia, éstos pueden deteriorarse. Además se extingue la garantía para la puerta.</p> <ul style="list-style-type: none"> <li>▶ Use los dispositivos de manejo de emergencia únicamente en caso de fallo de corriente o al realizar trabajos de reparación.</li> </ul>

<b>ATENCIÓN</b>
<p><b>Medios agresivos, viento y calor</b></p> <p>Las sustancias agresivas, el viento y el calor excesivo pueden dañar la puerta.</p> <ul style="list-style-type: none"> <li>▶ Proteja la puerta de sustancias agresivas:                             <ul style="list-style-type: none"> <li>– nitratos de los ladrillos o el mortero</li> <li>– cemento</li> <li>– yeso</li> <li>– ácidos</li> <li>– álcalis</li> <li>– sal contra heladas</li> <li>– pinturas agresivas</li> <li>– materiales de sellado agresivos</li> </ul> </li> <li>▶ No abra o cierre la puerta en caso de viento.</li> <li>▶ Evite temperaturas superiores a 50 °C cerca de la puerta.</li> </ul>

### 5.1 Personal instruido

La puerta sólo debe ser manejada por personas instruidas. Una persona se considera instruida (EN 12453) si está formada para manejar la puerta de forma segura y si tiene la autorización del propietario para usar la instalación de puerta.


### 5.2 Desgaste normal

El diseño de la puerta de apertura rápida corresponde al actual estado de la técnica. La abrasión y los puntos de presión están condicionados por el tipo de construcción y son inevitables.





### 5.3 Parada de emergencia



- ▶ En situaciones de emergencia puede dejar sin corriente el cuadro de maniobra accionando el interruptor principal, desenchufando el enchufe de red o, en su caso, accionando el pulsador rojo **Parada de emergencia**.

## 6 Comprobación y mantenimiento

 <b>ADVERTENCIA</b>
<p><b>Falta de mantenimiento de la puerta</b></p> <p>Si la puerta no se comprueba ni mantiene regularmente, existe peligro de lesiones y daños. Además se extingue la garantía.</p> <ul style="list-style-type: none"> <li>▶ Realice regularmente los trabajos de comprobación y mantenimiento de la puerta como se describe en estas instrucciones o encargue estos trabajos al servicio técnico del fabricante.</li> </ul>

 <b>PELIGRO</b>
<p><b>Tensión de red</b></p> <p>En caso de contacto con la tensión de red existe peligro de calambre mortal.</p> <ul style="list-style-type: none"> <li>▶ Antes de realizar trabajos eléctricos, desconecte la instalación de la tensión y asegúrese de que no pueda ser reconectada accidentalmente.</li> </ul>

 <b>ADVERTENCIA</b>	
    	<p><b>Movimientos de puerta</b></p> <p>Si durante los trabajos de comprobación o mantenimiento se acciona la puerta, existe peligro de lesiones y daños.</p> <ul style="list-style-type: none"> <li>▶ Antes de realizar trabajos eléctricos, desconecte la instalación de la tensión y asegúrese de que no pueda ser reconectada accidentalmente.</li> <li>▶ En su caso, ponga fuera de servicio la palanca / tirador para la apertura de emergencia.</li> </ul>

 <b>ADVERTENCIA</b>	
	<p><b>Peligro por caída de partes</b></p> <p>Durante el desmontaje pueden caer partes y herir a personas o dañar objetos.</p> <p><b>Revestimiento (opcional)</b></p> <ul style="list-style-type: none"> <li>▶ Fije el revestimiento (p. ej. con una carretilla elevadora), antes de desmontarlo.</li> </ul> <p><b>Eje</b></p> <ul style="list-style-type: none"> <li>▶ Fije el eje (p. ej. con una carretilla elevadora), antes de desmontar el automatismo.</li> </ul>

Realice la comprobación y el mantenimiento de la puerta sólo si usted es un experto (persona competente según EN 12635). Es decir, si tiene una formación adecuada, conocimientos cualificados y experiencia práctica para realizar de forma correcta y segura la comprobación y el mantenimiento.

Siga todas las normas vigentes en materia de seguridad laboral.

En general recomendamos delegar la comprobación y el mantenimiento al servicio técnico del fabricante.

La puerta de apertura rápida requiere poco mantenimiento. En condiciones normales de funcionamiento todos los puntos de apoyo, incluidos los engranajes, tienen lubricación de por vida y no requieren mantenimiento.

### 6.1 Intervalos de mantenimiento

De conformidad con las directrices locales para ventanas, puertas y portones que funcionan con electricidad, la comprobación y el mantenimiento de puertas y portones se debe realizar una vez al año y con los mismos intervalos, siempre que sea posible.

En función de las medidas de la puerta y los márgenes de carga anuales le recomendamos los siguientes intervalos de mantenimiento:

#### En caso de márgenes de carga muy altos (> 50.000 por año):

Mantenimiento de los elementos de función cada seis meses:

- Automatismo eléctrico y frenos
- Todas las uniones atornilladas
- Desconexión de la posición final / conmutación a marcha lenta
- Cuadro de maniobra / transmisor de impulsos

#### En caso de márgenes de carga bajos:

Mantenimiento anual de conformidad con los procedimientos de prueba estipulados.

- ▶ Compruebe el funcionamiento de los dispositivos D (célula / rejilla fotoeléctrica) cada seis meses.



<b>ATENCIÓN</b>	
	<p><b>1.080</b> ▶ El mantenimiento necesario del puesto de servicio caducará pronto</p>
	<p><b>F.080</b> ▶ Se requiere mantenimiento de averías</p>
<p><b>NOTA:</b> Los componentes marcados con (*) en la tabla de desgaste deben cambiarse obligatoriamente en los próximos 5000 cambios de carga.</p>	

## 6.2 Piezas de desgaste

Para las piezas de desgaste enumeradas a continuación, siempre y cuando formen parte del respectivo equipamiento, se aplica el número de ciclos o de cambios de carga más alto:

Piezas de desgaste	Ciclos	Intervalo de tiempo
Automatismo (60 % ED)	500 000	2 años
Automatismo (motor tubular; 60 % ED) <sup>1)</sup>	700 000	2 años
Frenos	250 000	2 años
Pila del interruptor FunkCrash	-/-	2 años
Cadena energética con cable	250 000	2 años
Muelles	100 000	2 años
Correas de tejido	100 000	2 años
Cadena plana (contrapeso, paneles)	500 000	2 años
Ruedas-guía	100 000	2 años
Batería USV	-/-	1,5 años
Batería USV (puertas RW para vías de emergencia)	-/-	1 años
Bisagras	100 000	2 años
Juntas/perfiles de sellado	150 000	2 años
Rejilla / célula fotoeléctrica	-/-	2 años

1) Los componentes deben cambiarse obligatoriamente durante los ciclos mencionados.

## 7 Cuadro de maniobra

El sistema de control se fabrica individualmente para cada pedido de puerta. El diagrama de cableado correspondiente se incluye en las instrucciones del operador.

- ▶ Adjunte el esquema de conexión y la descripción del software a estas instrucciones.

Cada armario de control tiene un número.

- ▶ En caso de consultas indique este número.

## 8 Averías y solución de averías

En caso de averías, diríjase a nuestro servicio técnico.

### Potencia del automatismo

La tensión de servicio debe ser 230 V ± 5 % o 460 V ± 5 %. En caso de diferencias mayores pueden producirse problemas en el rendimiento del automatismo. Verifique con la fábrica.

## 9 Limpieza y cuidado

Utilice agua caliente con un detergente neutro no abrasivo (detergente doméstico, pH 7, Isopropanol 99,9 %).

Emplee para la limpieza sólo trapos o gamuzas para limpiar vidrios. Enjuague las partículas de suciedad y de polvo con agua corriente.

## 10 Ampliación y modernización

<b>ADVERTENCIA</b>
<p><b>Componentes no adecuados</b> Los componentes no adecuados pueden sobrecargar la estructura de la puerta. Esto puede conducir a lesiones con peligro de muerte.</p> <p>▶ Utilice para ello exclusivamente los componentes autorizados por el fabricante.</p>

Sólo amplíe o modifique la instalación de puerta con la autorización del fabricante.

La garantía y la responsabilidad por el producto se extinguen si se realizan modificaciones constructivas sin la autorización del fabricante.

## 11 Desmontaje y reciclaje

<b>ADVERTENCIA</b>	
	<p><b>Peligro por caída de partes</b> Durante el desmontaje pueden caer partes y herir a personas o dañar objetos.</p> <p><b>Revestimiento (opcional)</b> ▶ Fije el revestimiento (p. ej. con una carretilla elevadora), antes de desmontarlo.</p> <p><b>Eje</b> ▶ Fije el eje (p. ej. con una carretilla elevadora) antes de desmontar la chapa de seguridad del alojamiento del eje.</p>

Desmonte esta puerta solamente si tiene la calificación necesaria para ello. Es decir, si posee la formación adecuada, los conocimientos cualificados y la experiencia práctica necesarias para realizar de forma correcta y segura el desmontaje.

Durante el desmontaje siga todas las normas vigentes en materia de seguridad laboral.

**Para desmontar y reciclar la puerta:**

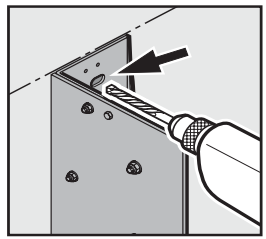
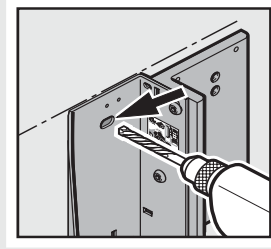
1. Abra la puerta totalmente.
2. Enrolle la puerta con cuidado mediante el funcionamiento manual de emergencia.
3. Envuelva la hoja o la persiana varias veces con cinta adhesiva resistente (p. ej. cinta de embalaje) de manera que ya no se pueda desenrollar.
4. Coloque una carretilla elevadora con un palet o estructura de soporte apropiado debajo del eje de modo que el eje quede sobre el palet o la estructura de soporte.
5. Suelte la fijación del alojamiento y la del automatismo.
6. Levante el eje o la parte superior con el automatismo de las consolas.

**PRECAUCIÓN**

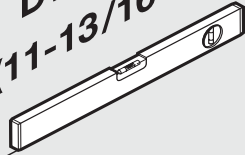
**El automatismo puede resbalar y salirse de los extremos del eje de enrollamiento.**

- ▶ Al bajar el eje o la parte superior manténgalo en una posición horizontal.
7. Desmonte los carriles-guía / laterales y las consolas.
  8. Desmonte la puerta en sus piezas individuales y elimínelas debidamente.

1



$DW + 300 \pm 5$   
 $(11-13/16 \pm 3/16)$



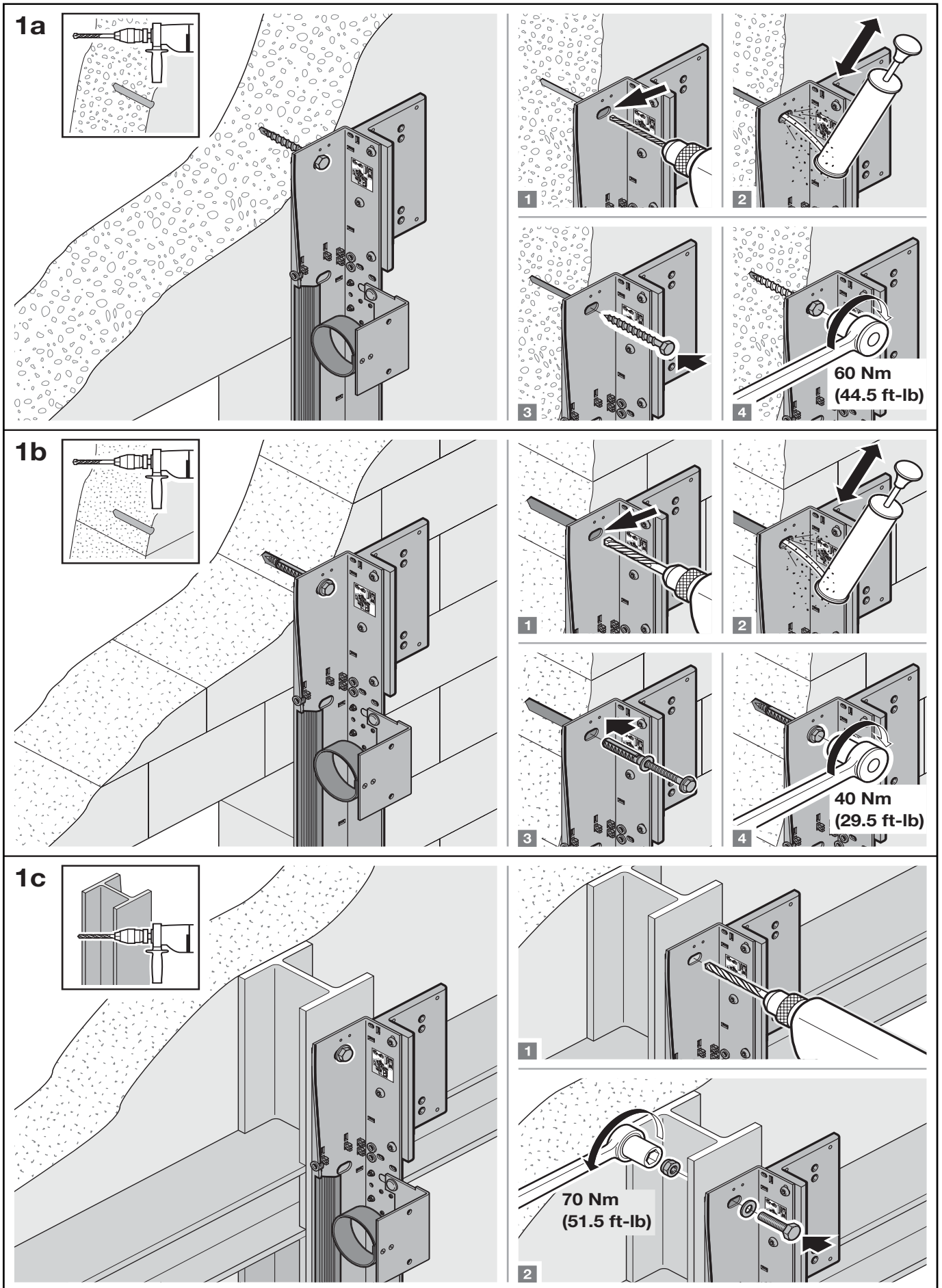
1a  
1b  
1c

1a  
1b  
1c

DW

DW

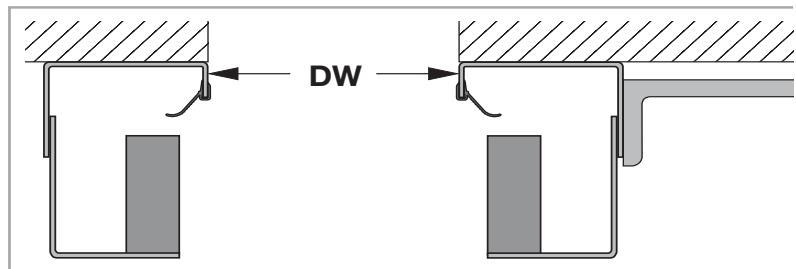
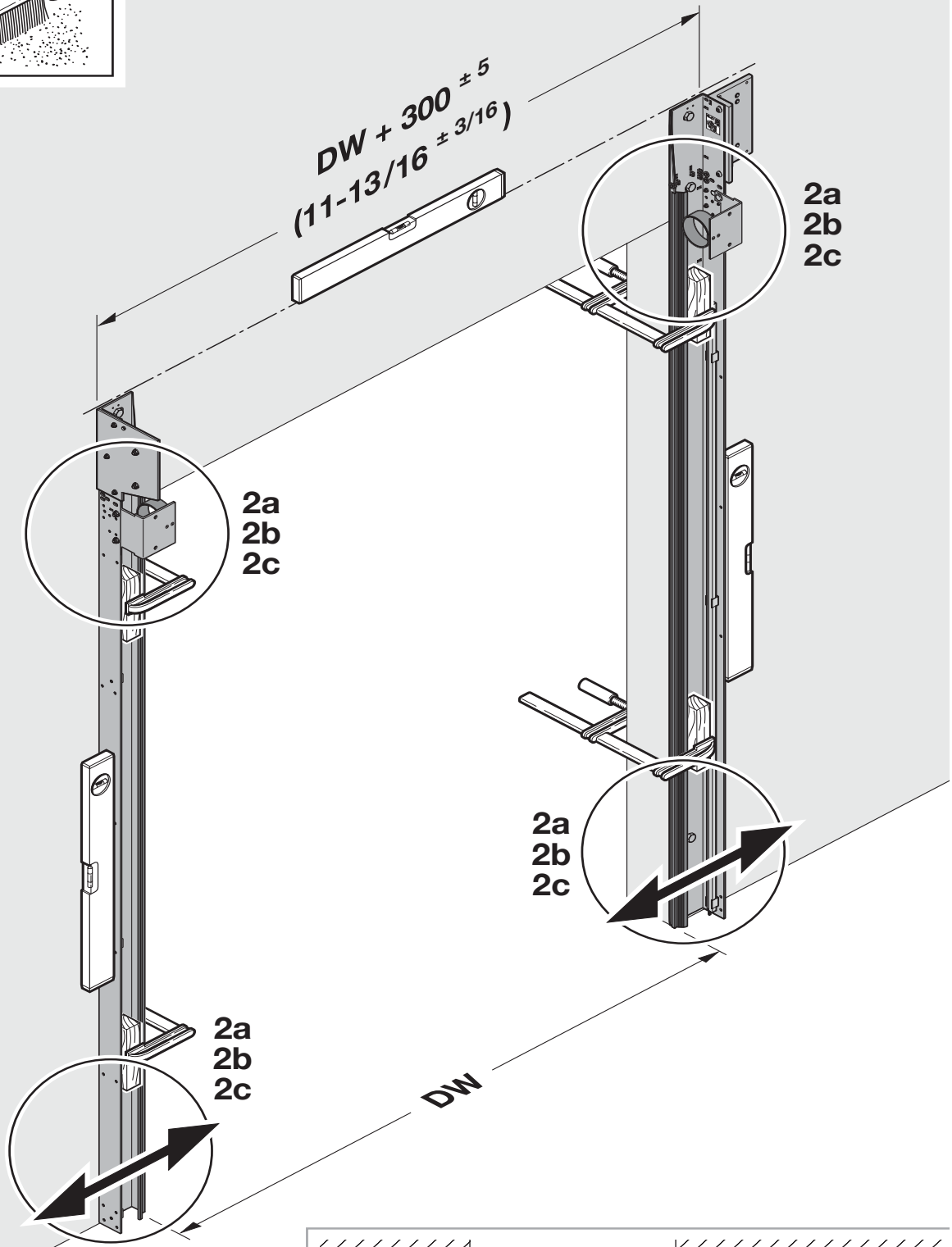


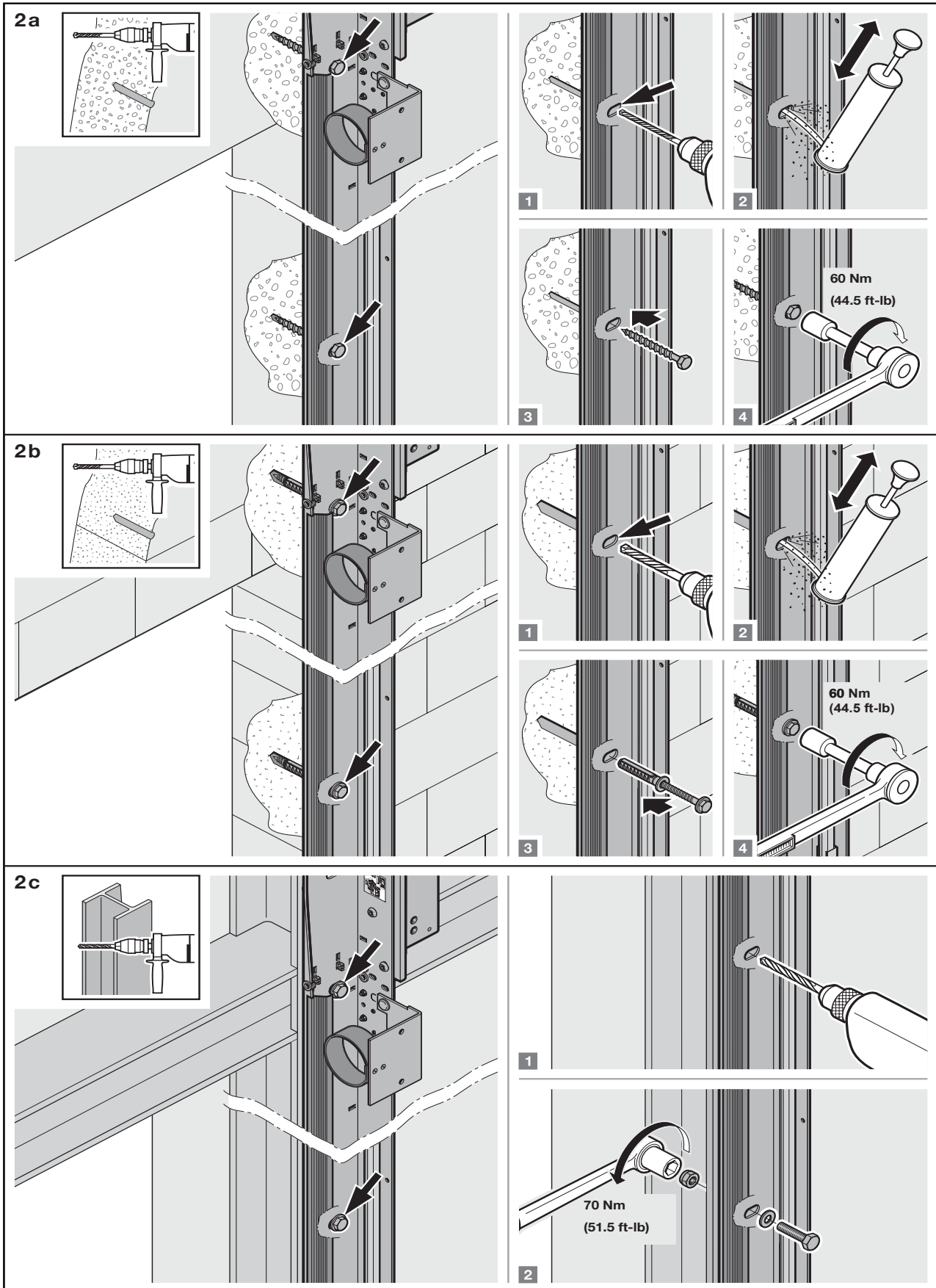


2

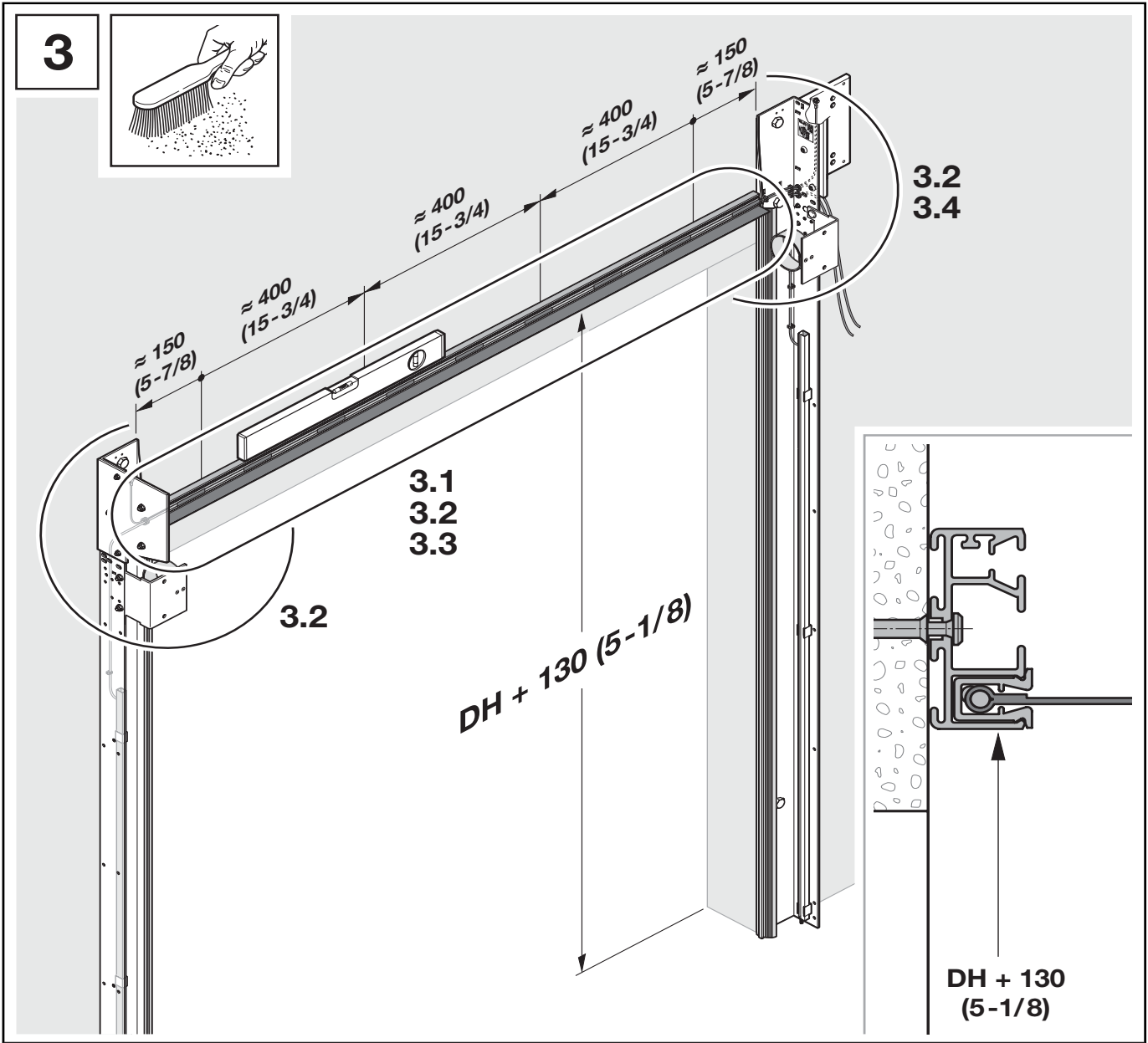


$DW + 300 \pm 5$   
(11-13/16  $\pm 3/16$ )

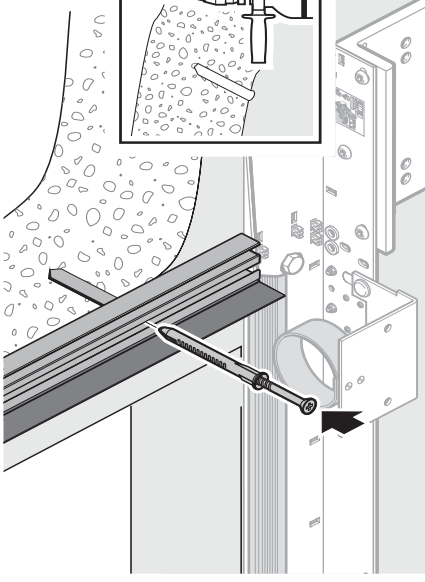
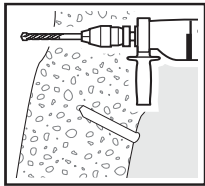




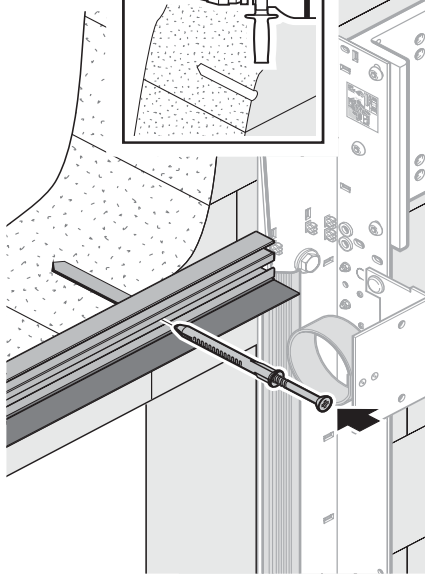
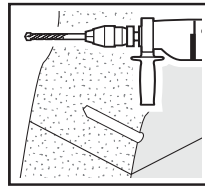
**3**



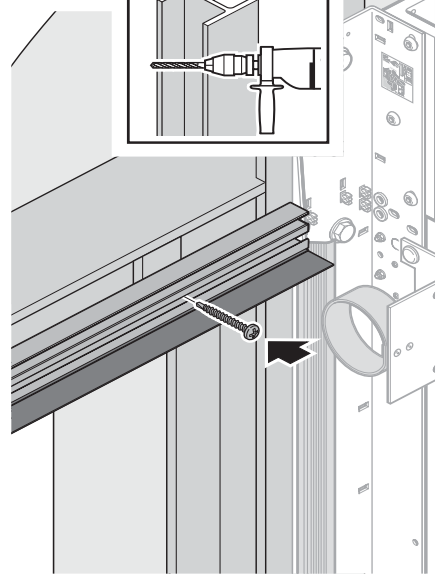
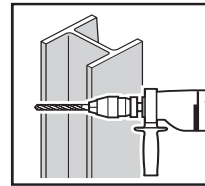
**3.1a**



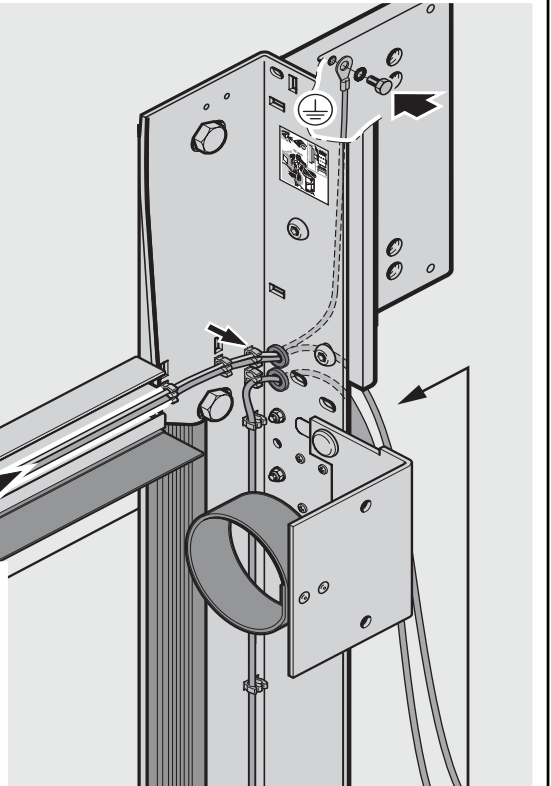
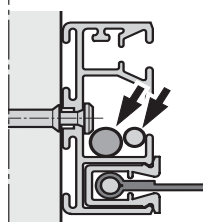
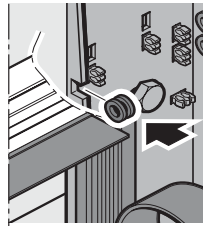
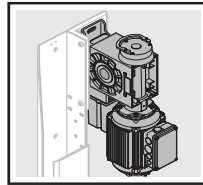
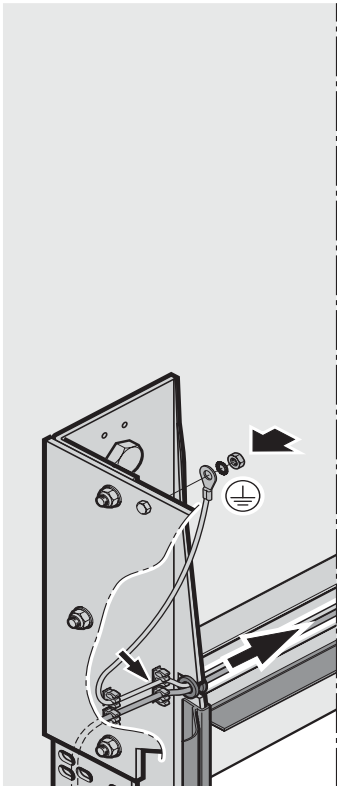
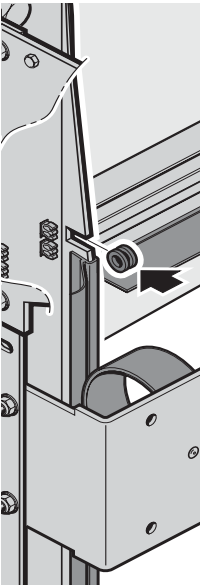
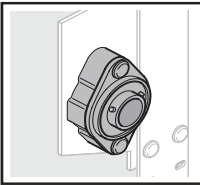
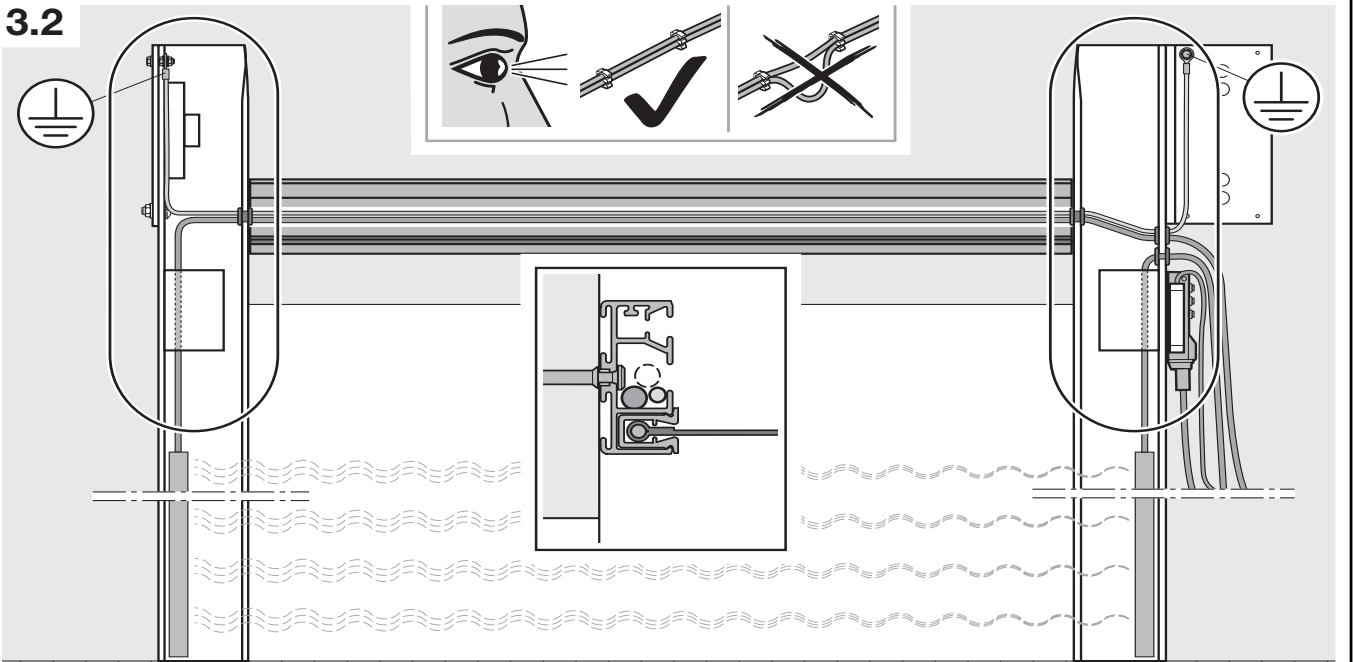
**3.1b**



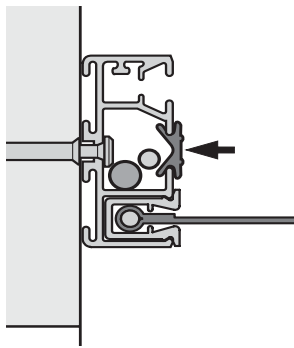
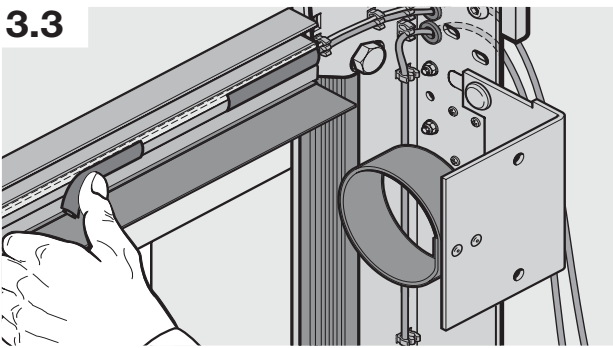
**3.1c**



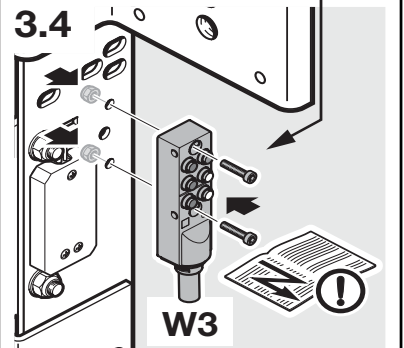
3.2

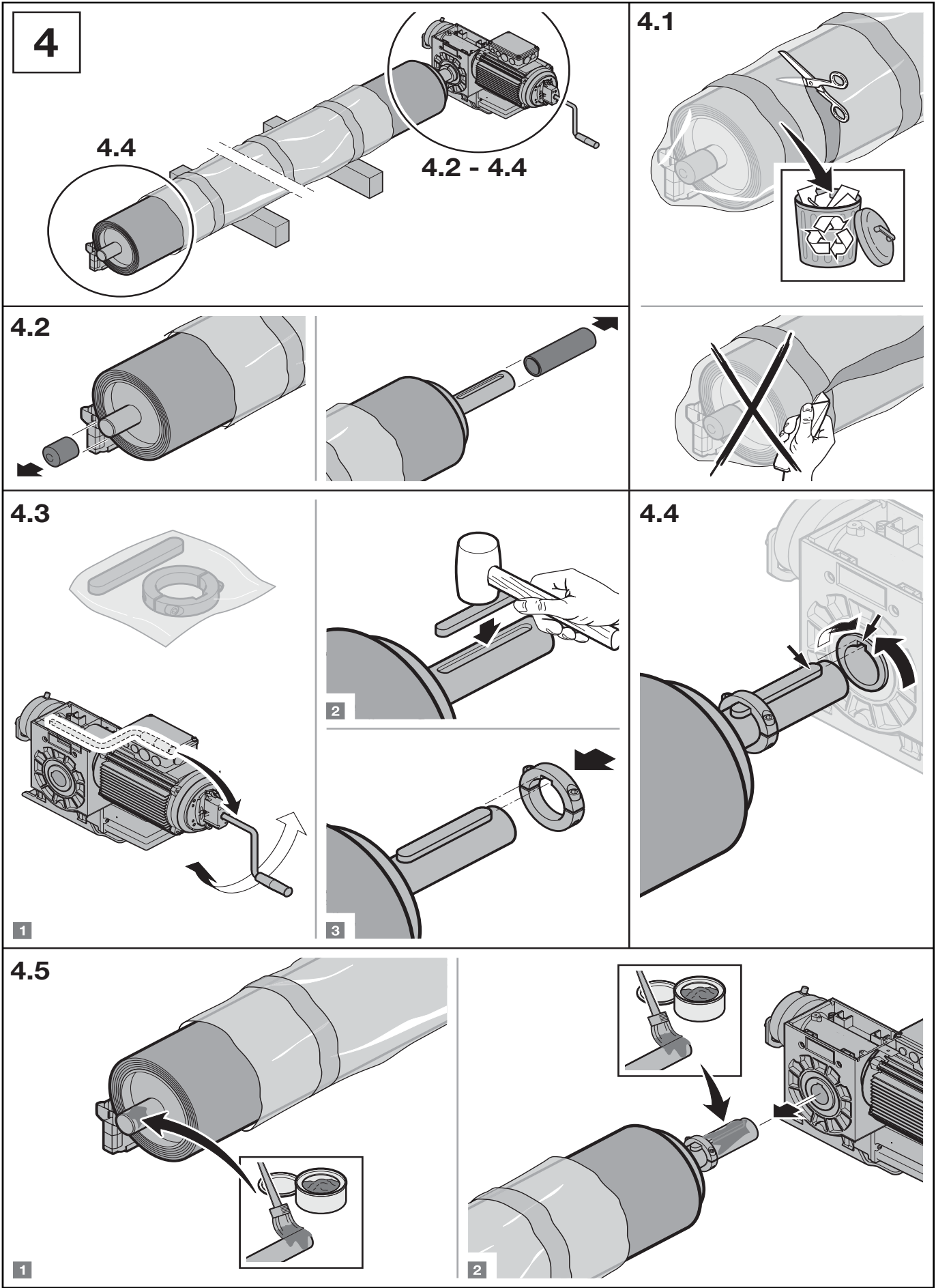


3.3



3.4



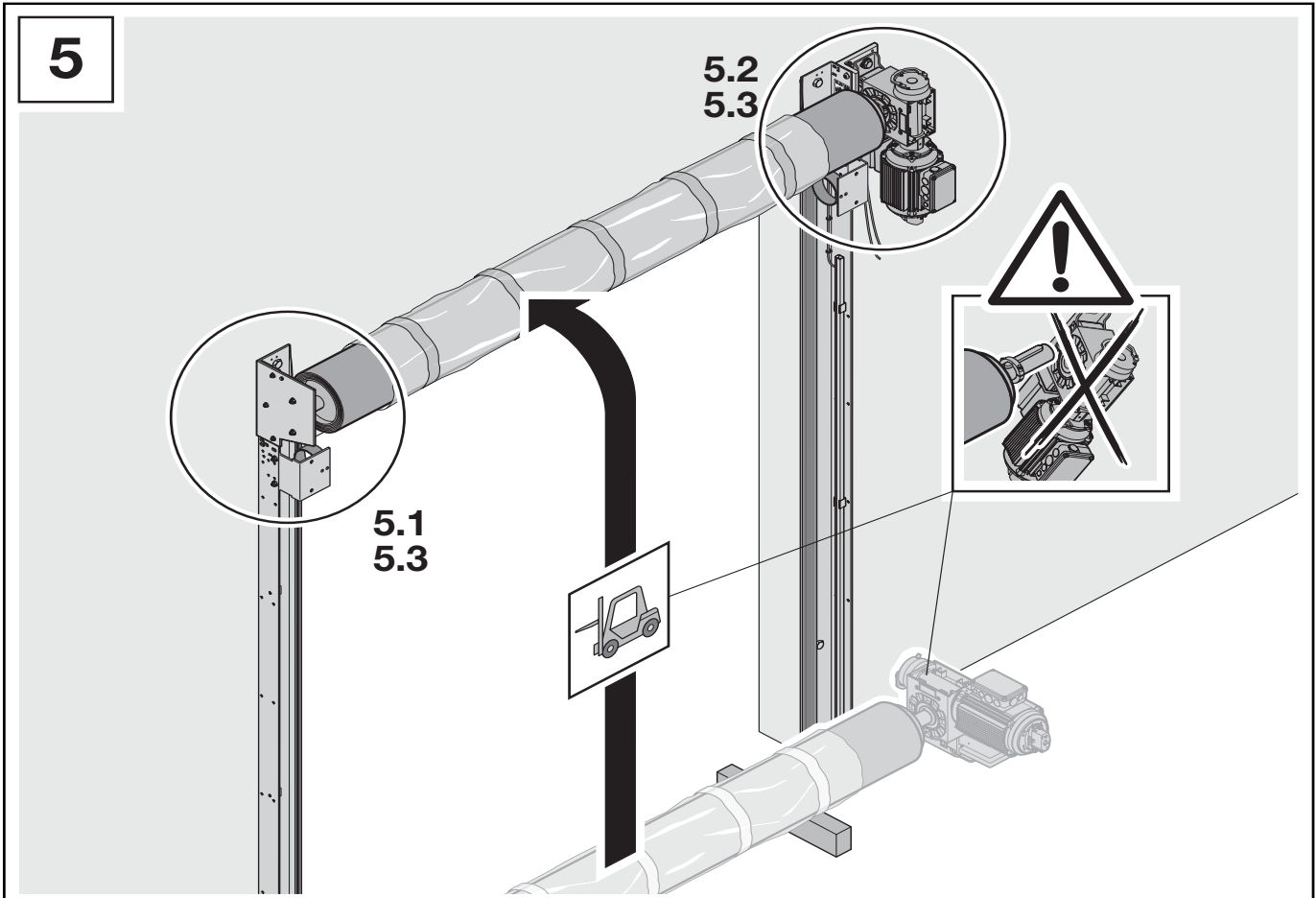




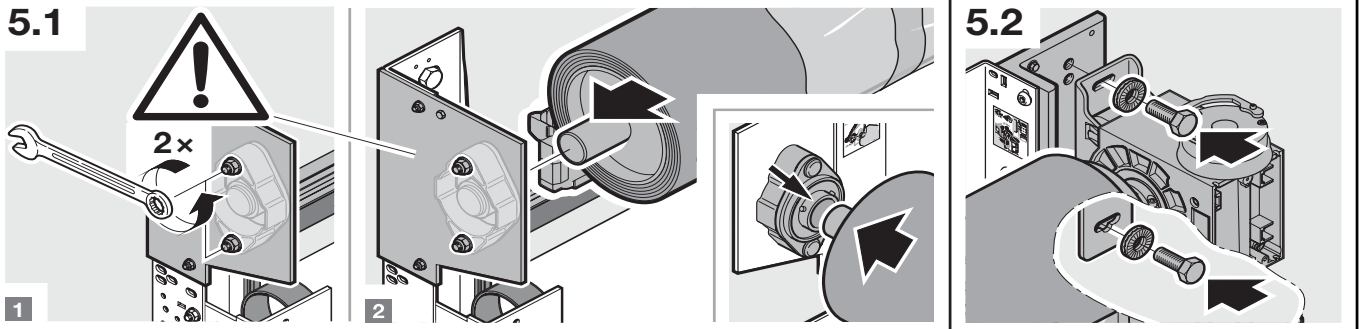
5

5.2  
5.3

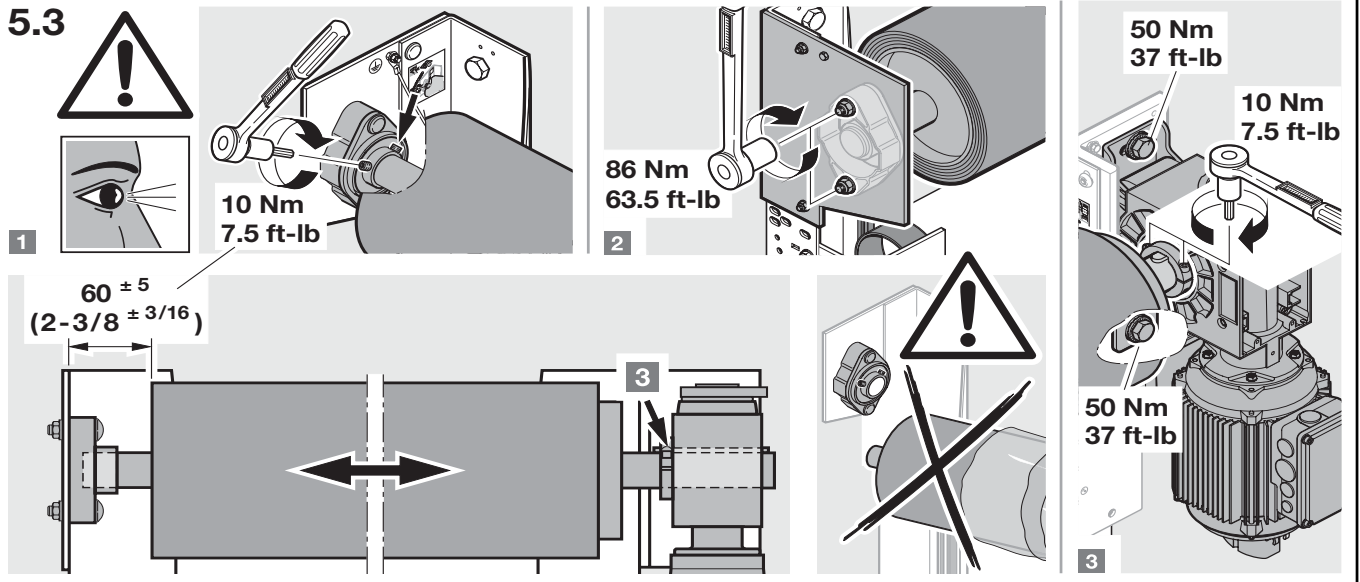
5.1  
5.3



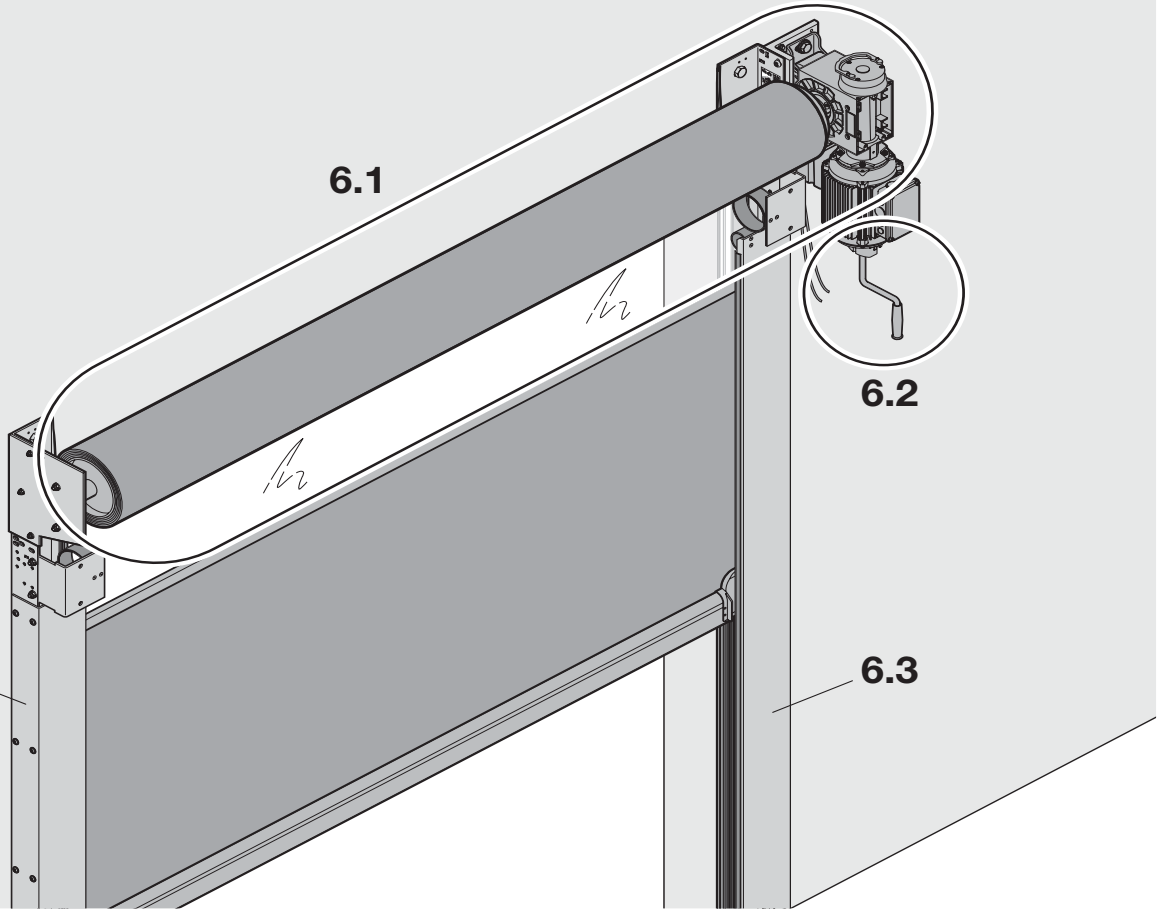
5.1



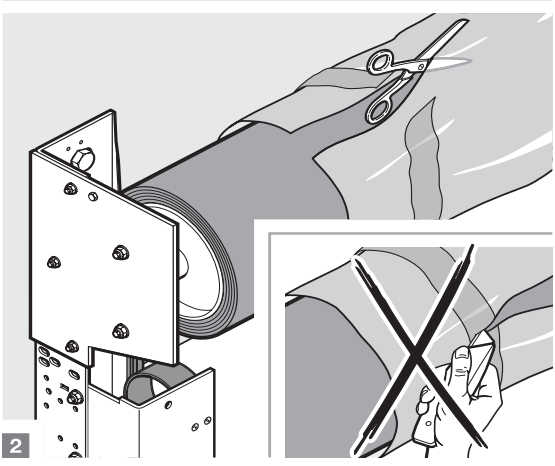
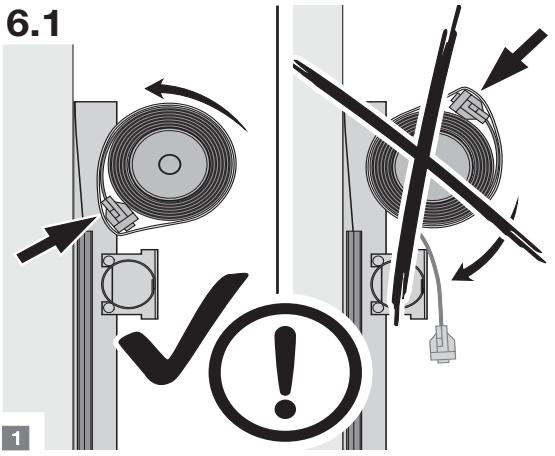
5.3



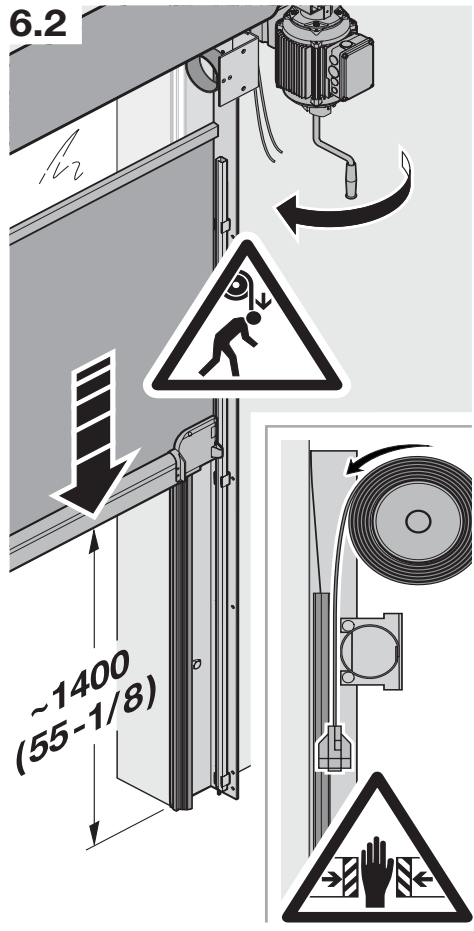
6



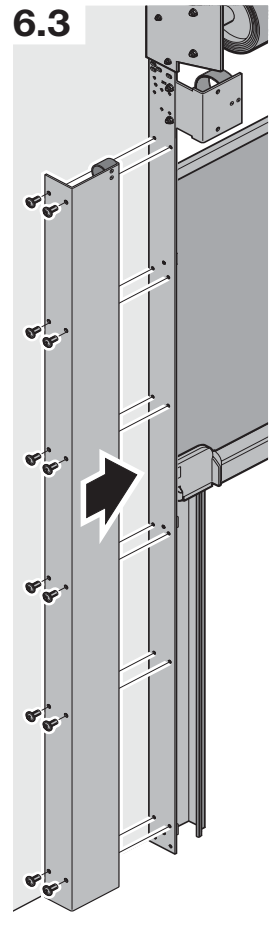
6.1



6.2



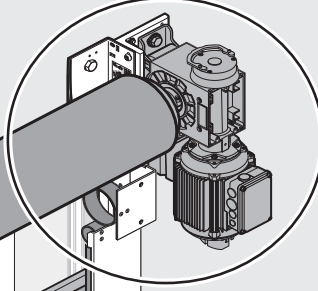
6.3



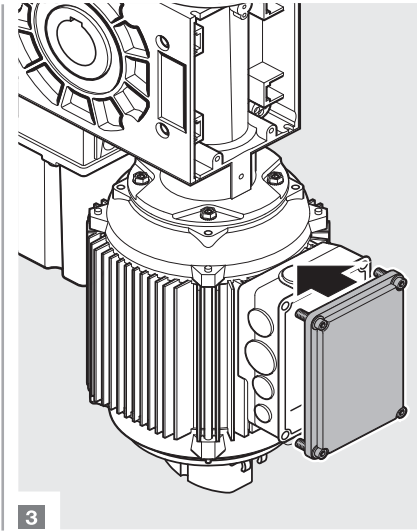
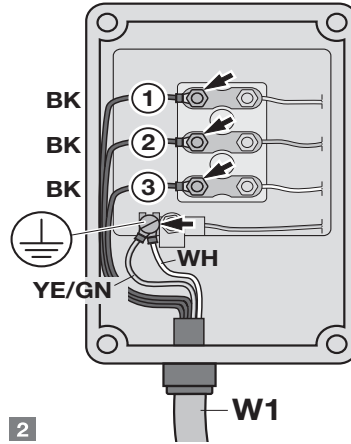
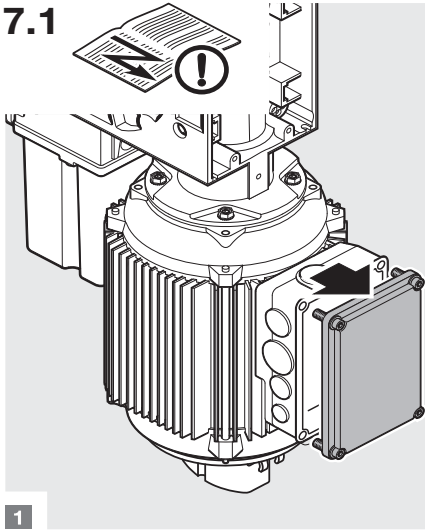


7

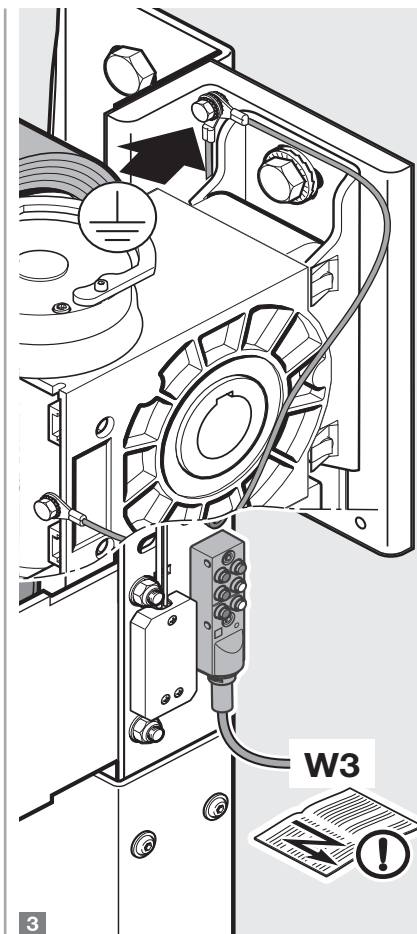
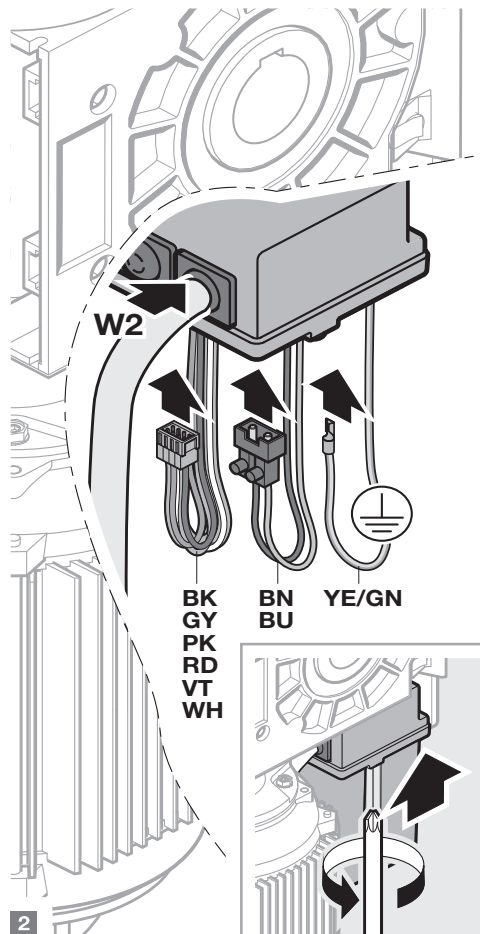
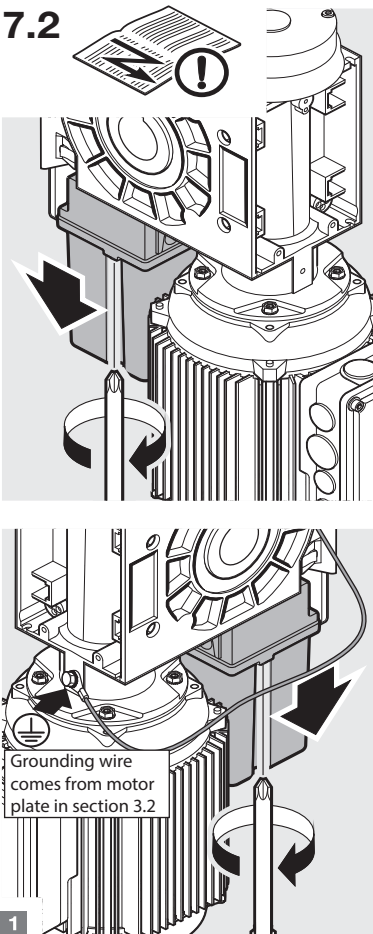
7.1  
7.2



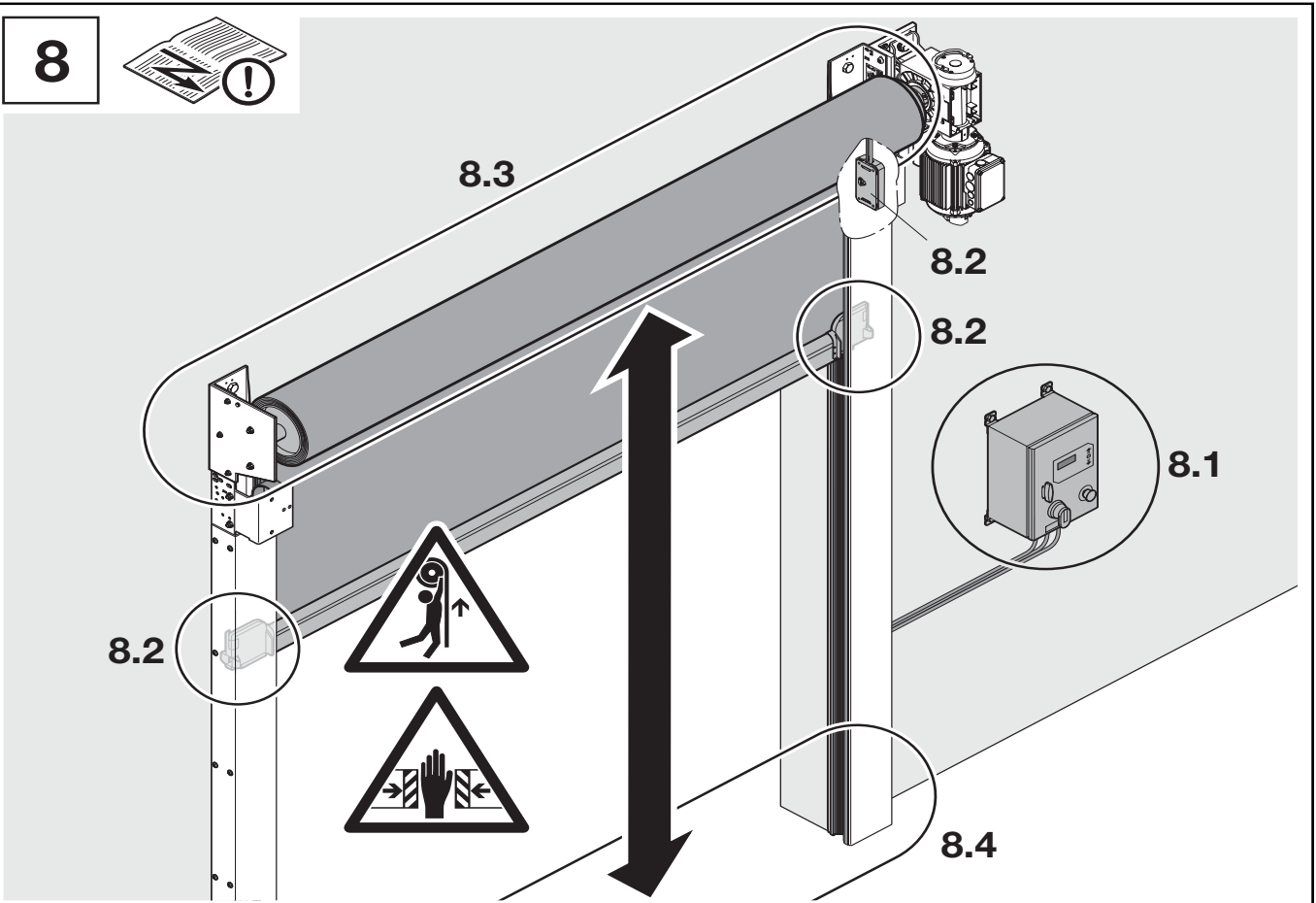
7.1



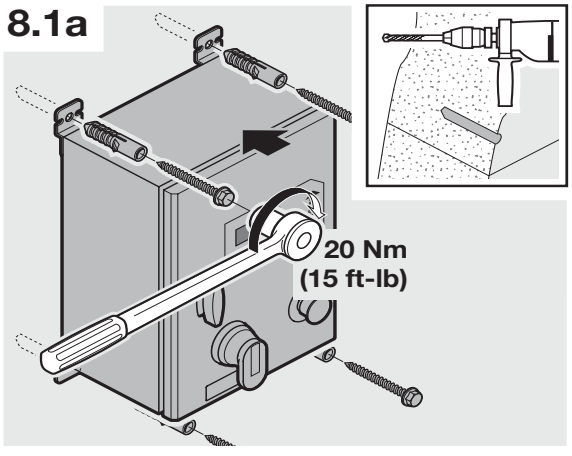
7.2



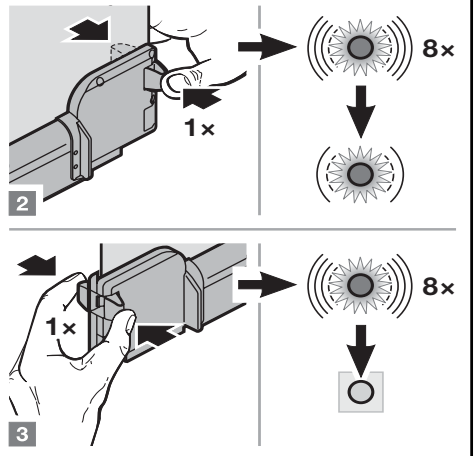
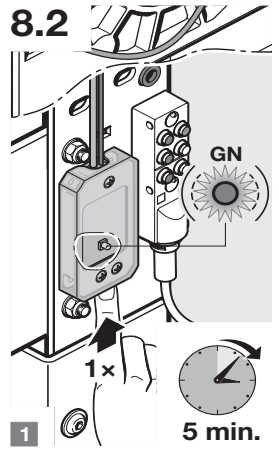
8



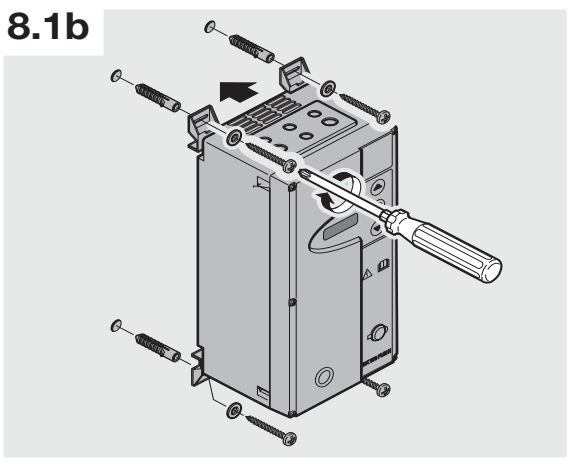
8.1a



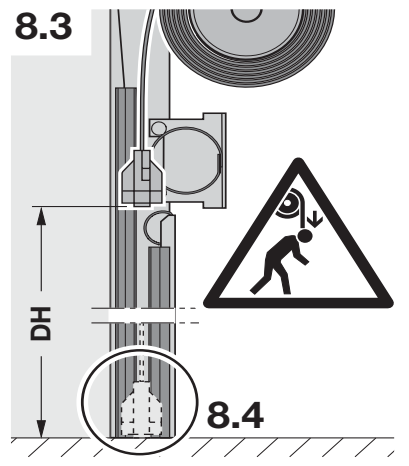
8.2



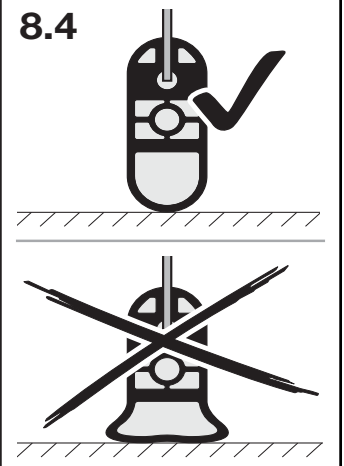
8.1b

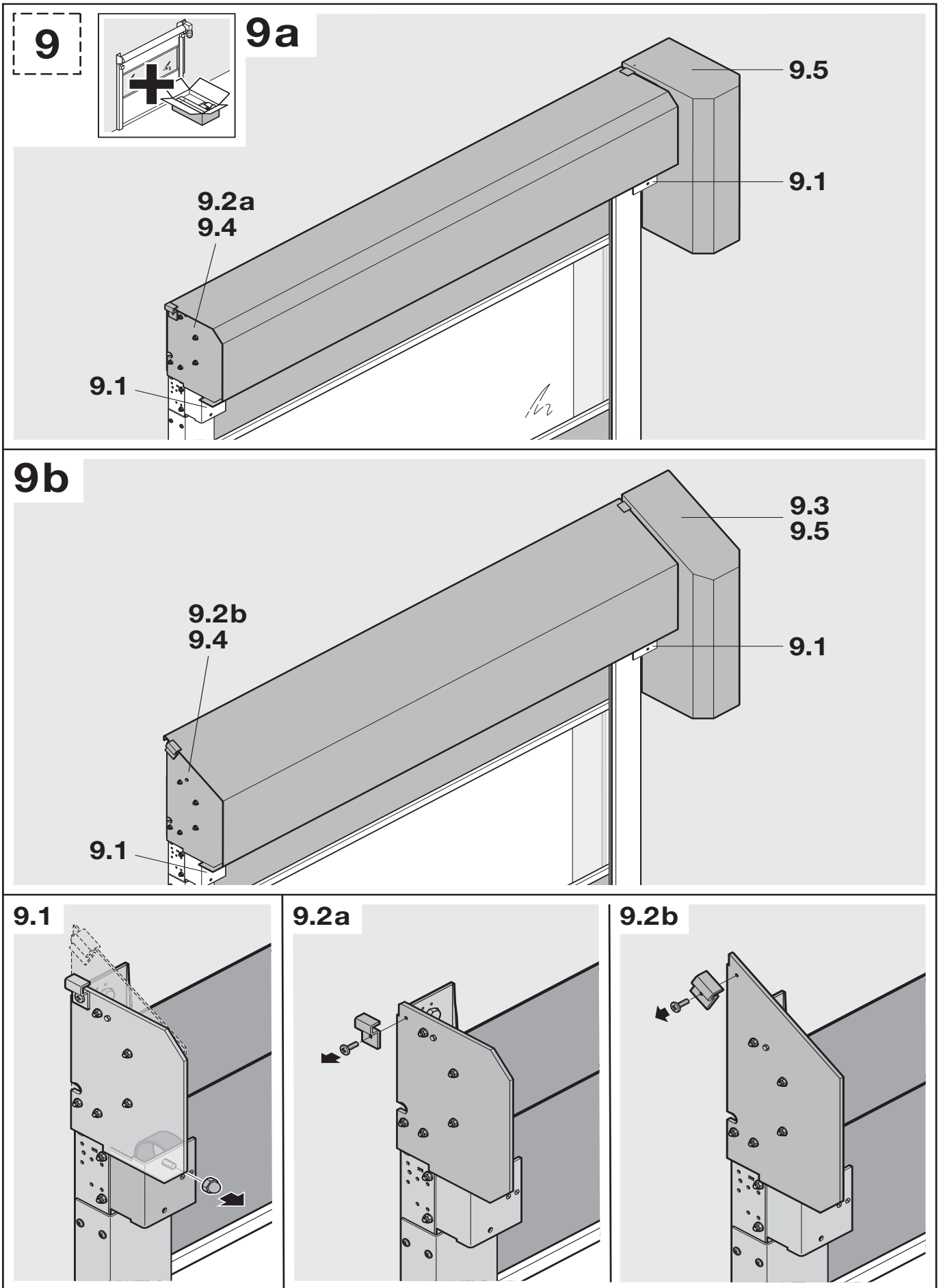


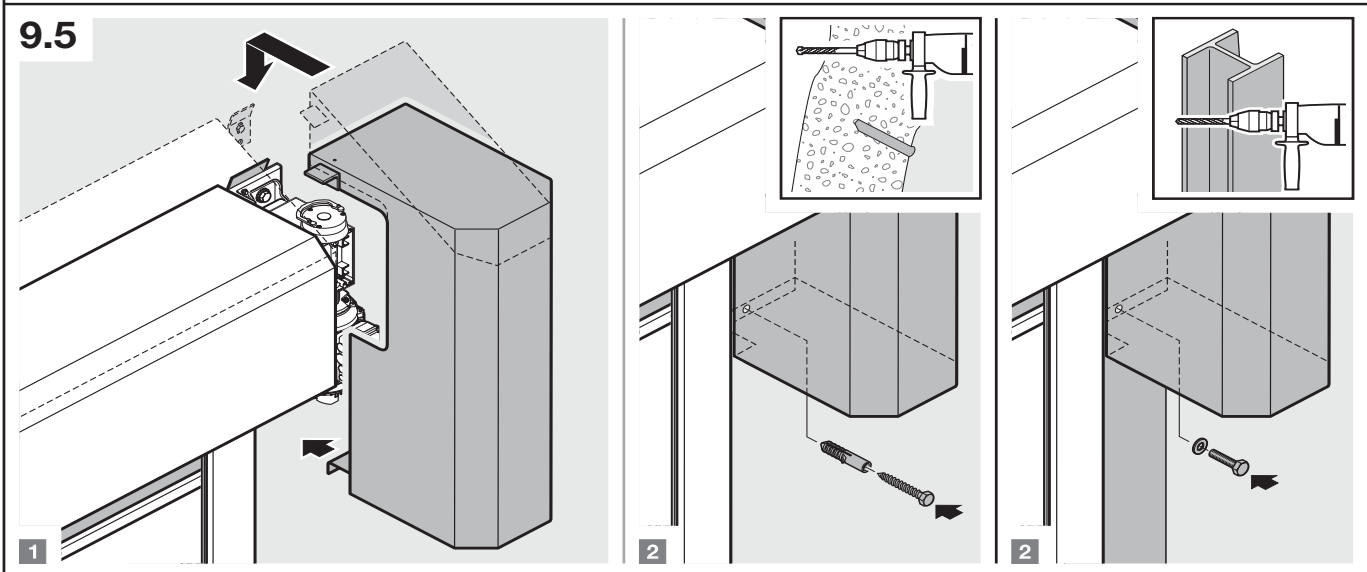
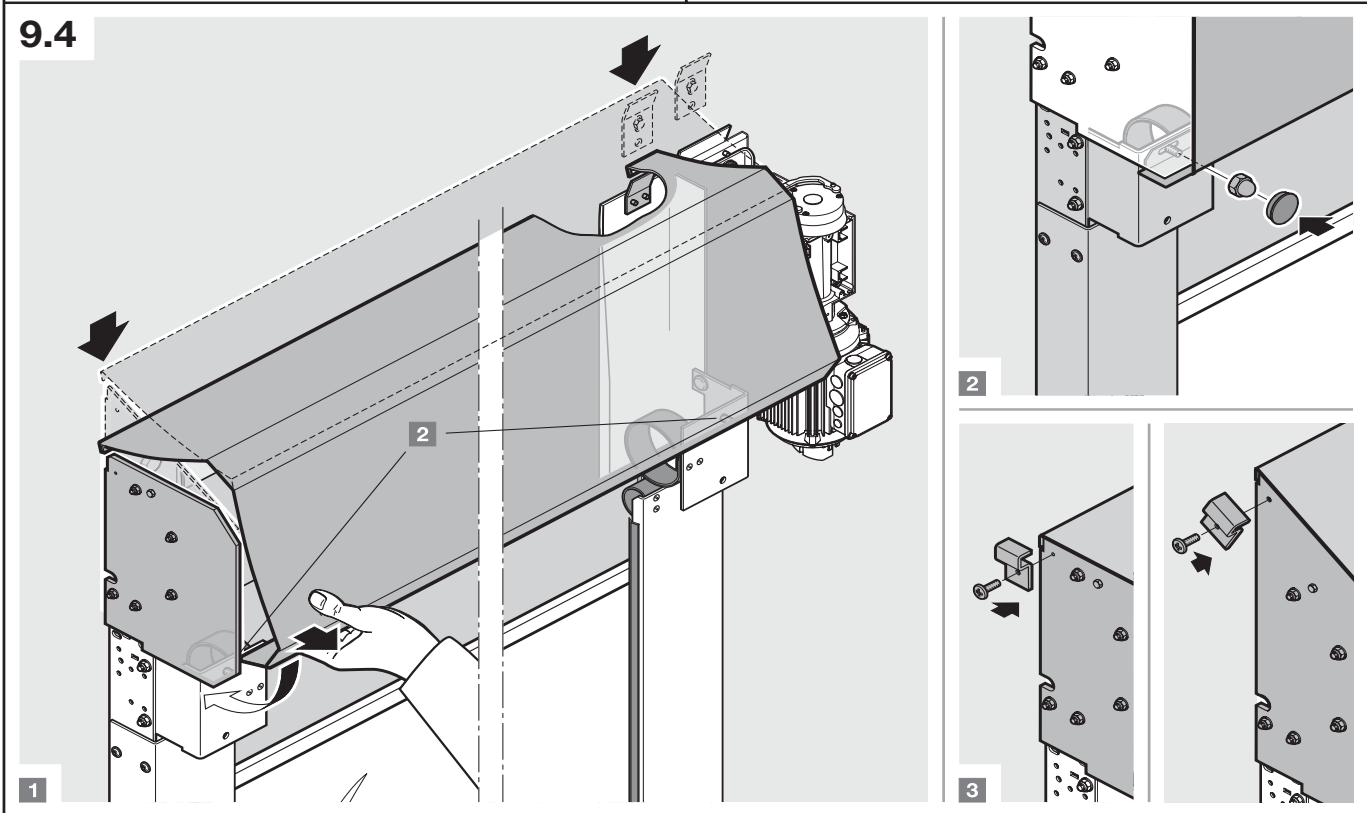
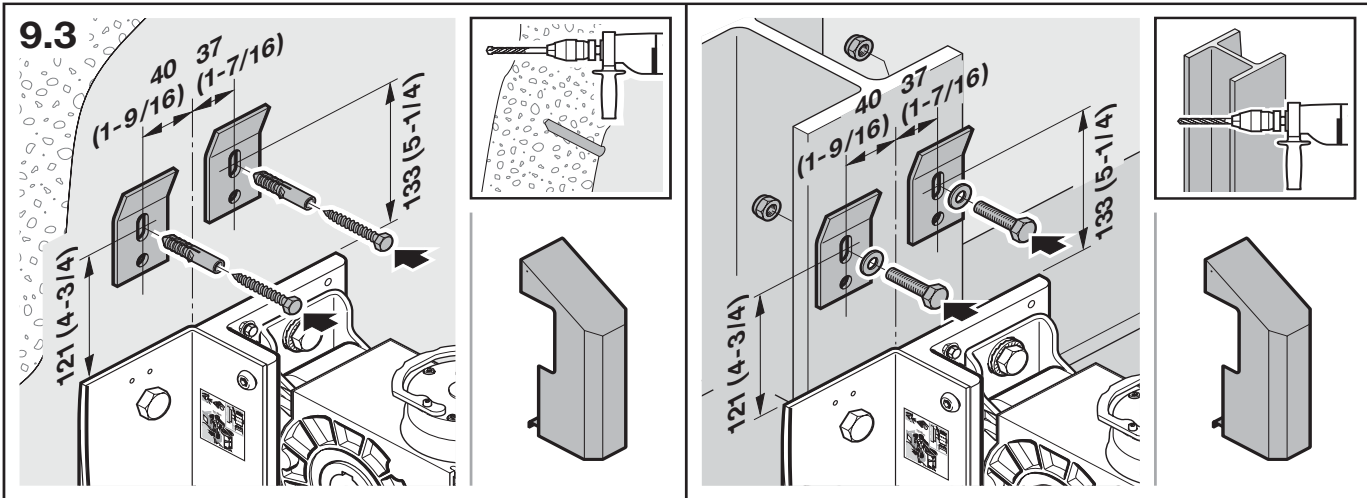
8.3

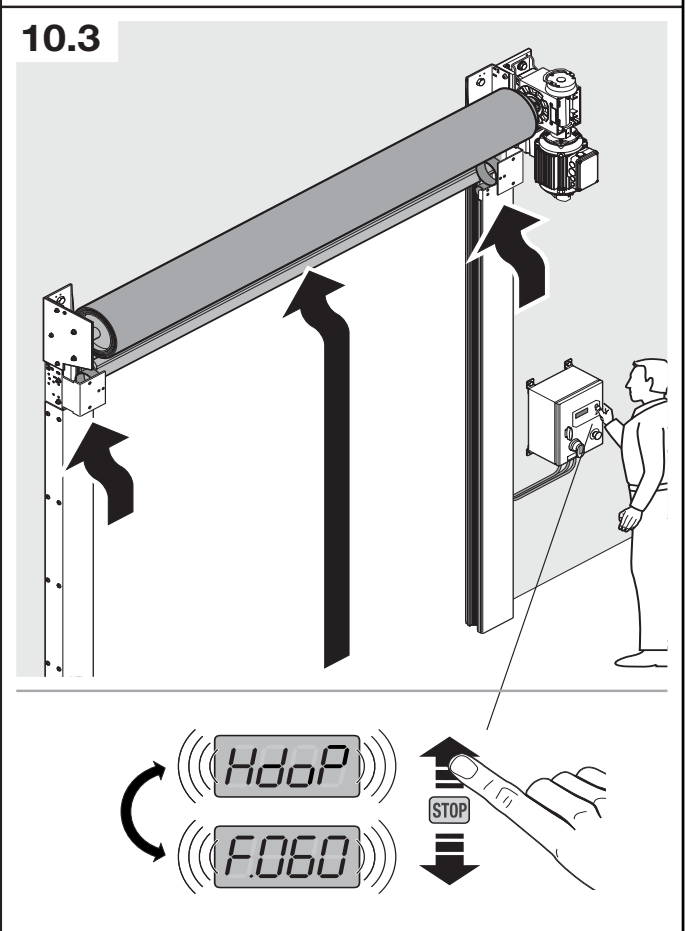
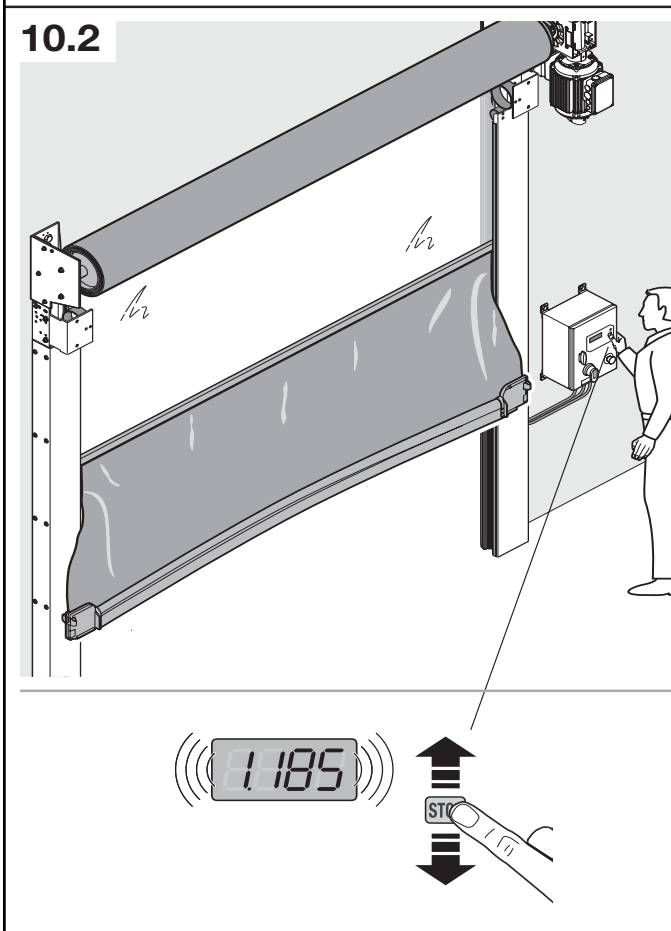
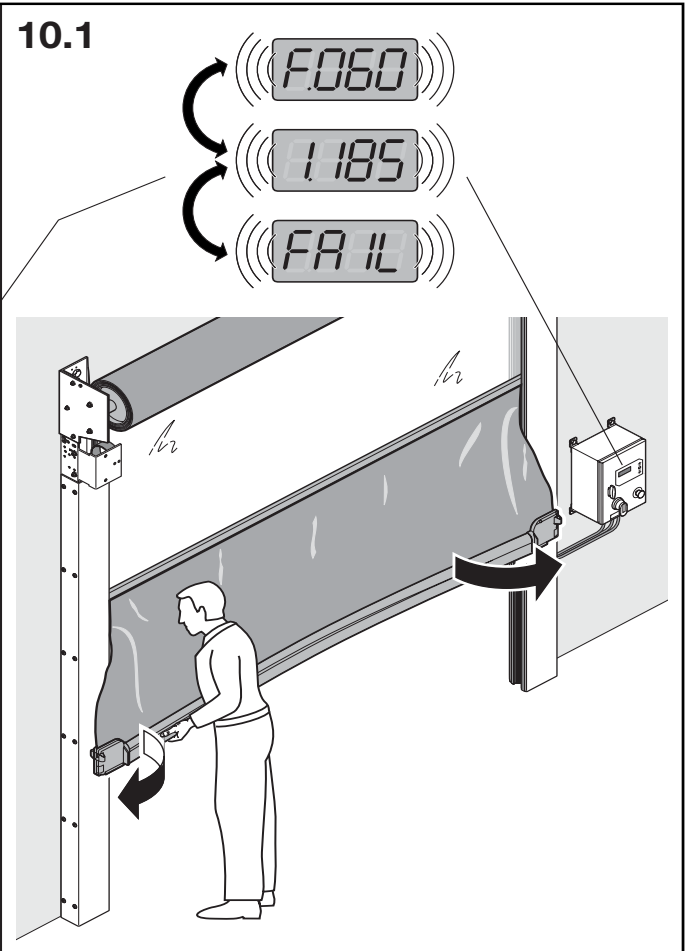
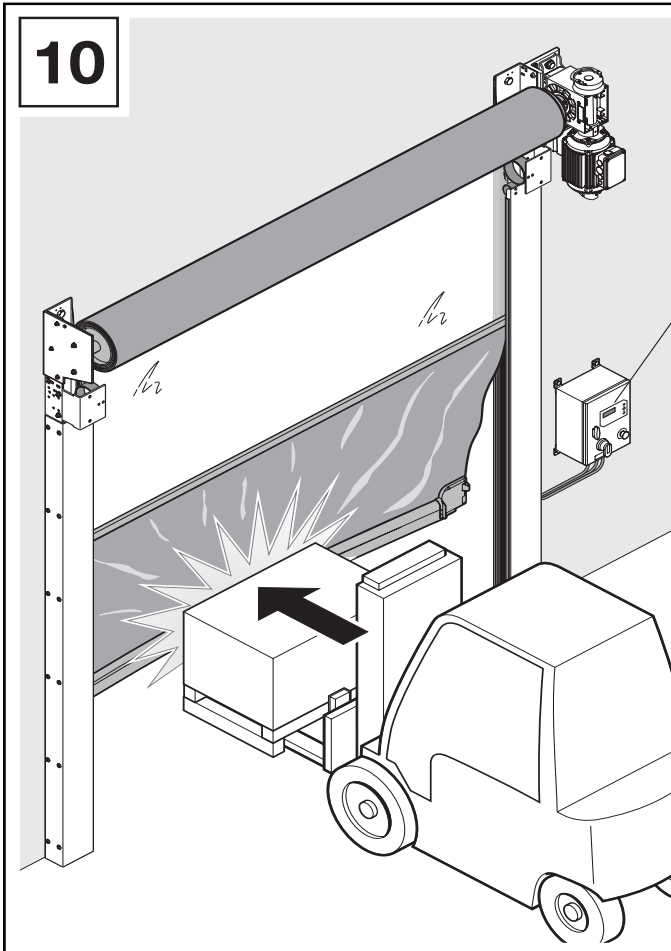


8.4















Innovative Door Systems

HÖRMANN

### Our promise to you

As one of the world's leading manufacturers of doors, we're committed to providing the best quality, value, and selection. Whether industrial or commercial, retail automotive, parking garages, transit, waste management,

fire stations or food processing, we have the door you're looking for. The Hörmann product line has a door for any application, from one manufacturer.



Hörmann, Burgettstown, PA



Hörmann, Barrie, Ontario, Canada

Connect with us!



Visit our website for more information!

Hörmann High Performance Doors  
Starpointe Business Park • 117 Starpointe Boulevard  
Burgettstown, PA 15021-9506  
Phone: 800.365.3667 • 724.385.9150 • Fax: 724.385.9151  
www.hormann.us • Email: info2@hormann.us



USGBC  
MEMBER

Environmental commitment has been part of our corporate culture for decades. From our manufacturing processes to the products we make.

In everything we do we strive to minimize energy and use of resources through efficient processes, long-lasting quality and innovative engineering.

Hörmann TNR Doors  
200 Fairview Road • Unit # 2  
Barrie, Ontario L4N 8X8  
Phone: 866.792.9968 • Fax: 705.735.9564  
www.TNRdoors.com • Email: info@tnrdoors.com

We reserve the right to change specifications without notice. ©Hörmann Flexon LLC