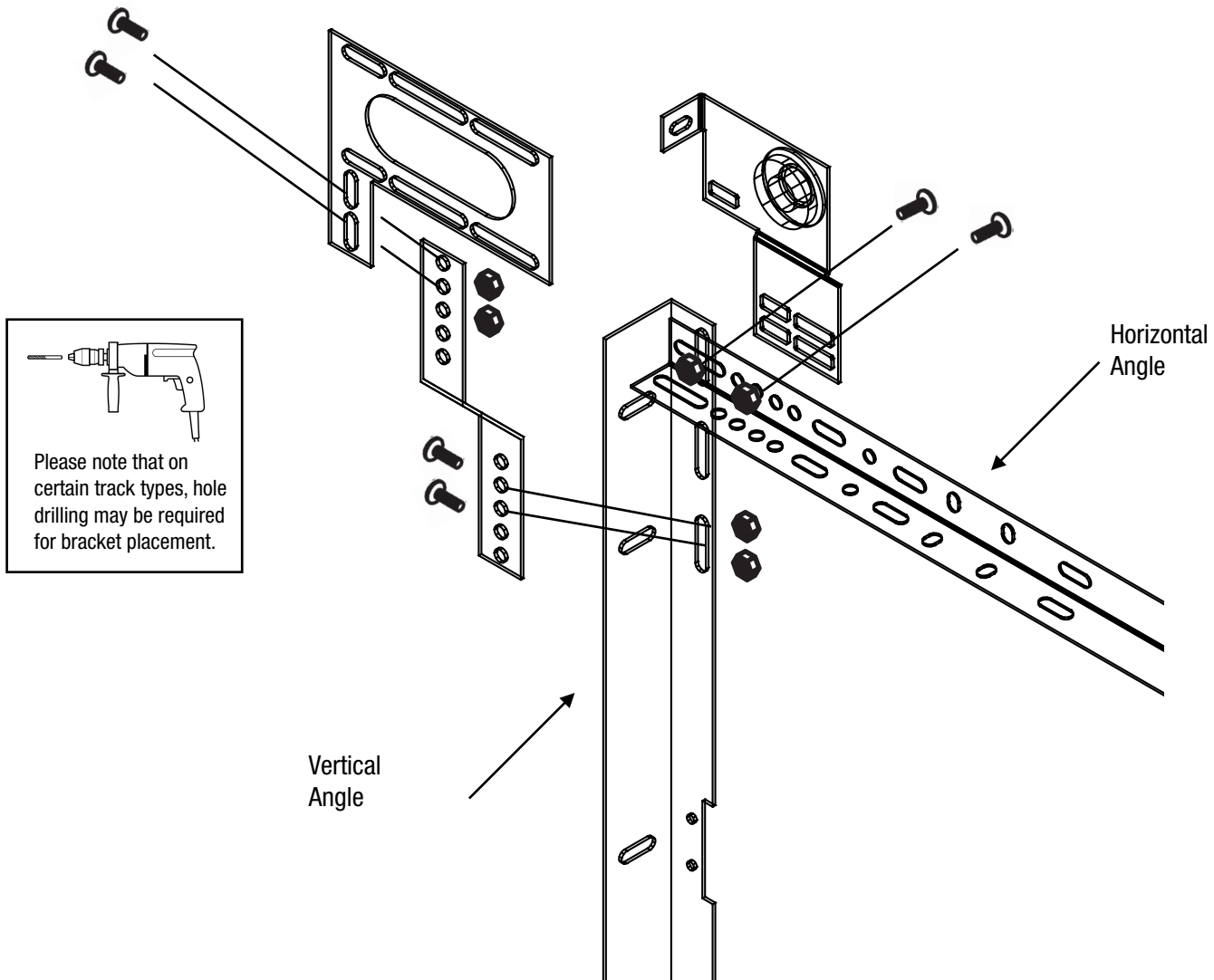


# Marantec VTA Operator Bracket Installation Instructions

**HÖRMANN**

Hörmann has partnered with Marantec to offer a proprietary mounting option for the VTA series operator. Please see below for mounting instructions for this bracket.



- Step 1.** Loosely install bracket to vertical angle. The bracket bolts to the included slots at the top of the angle.
- Step 2.** Install track as normal.
- Step 3.** Attach operator to the hole pattern that lines up with the torsion assembly.
- Step 4.** Tighten down all bolts.

For more information, or if additional installation instructions are needed, please login to the dealer portal at [www.hormann.us](http://www.hormann.us) and utilize the online resources available.