

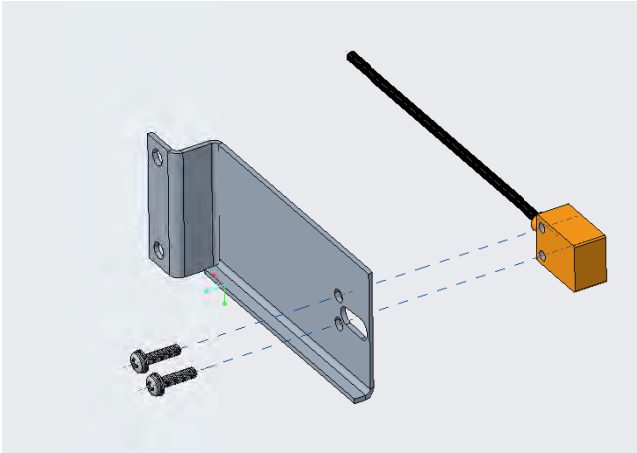


## ***Installation Instructions***

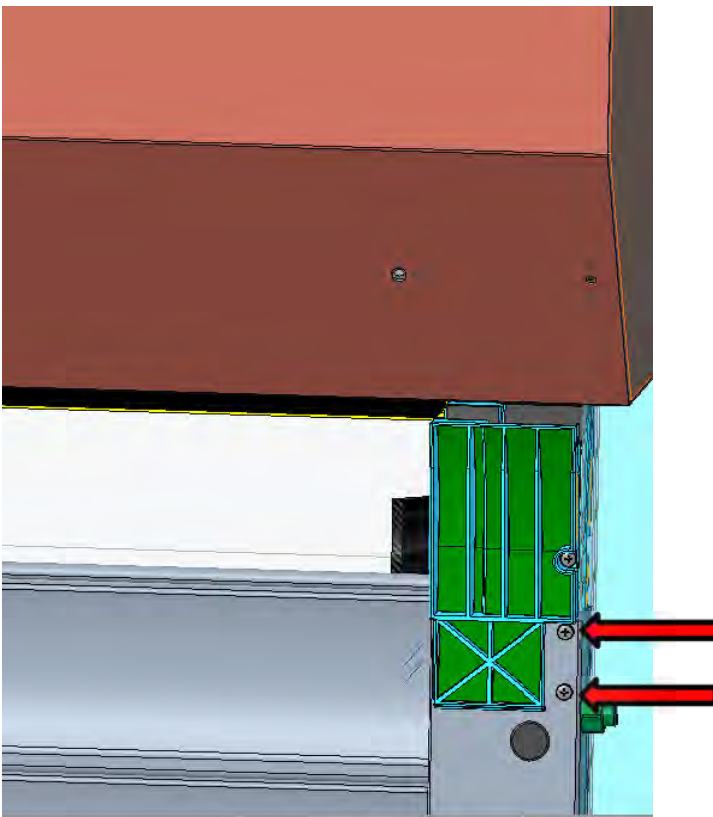
*SR9000L/LHR Over-Travel Sensor*

*For professional installers only  
Keep this document in a safe place for future reference*

1. Secure the work area and Lock out equipment as required
2. Assemble over travel sensor to bracket

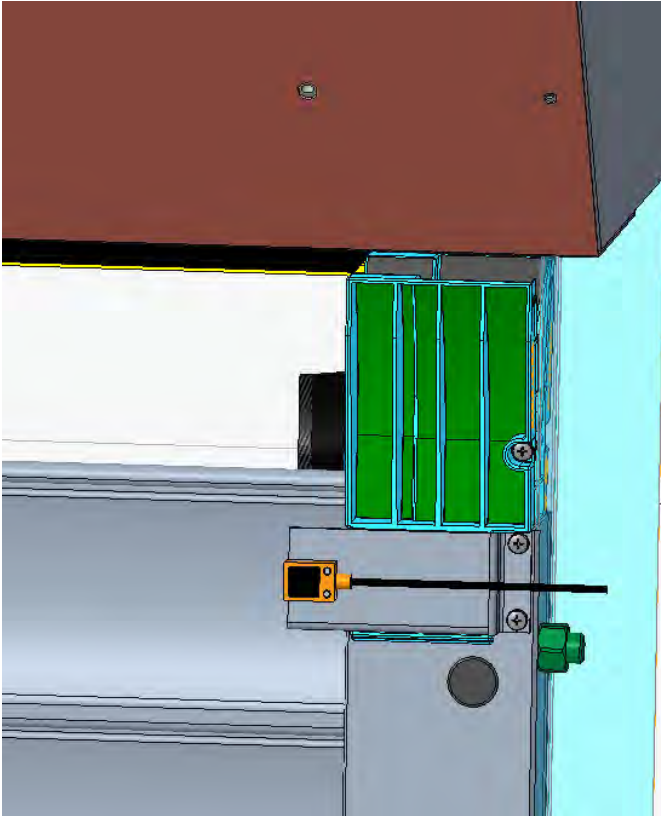


3. Remove bottom (2) screws from right hand track funnel



## Over travel Sensor Installation

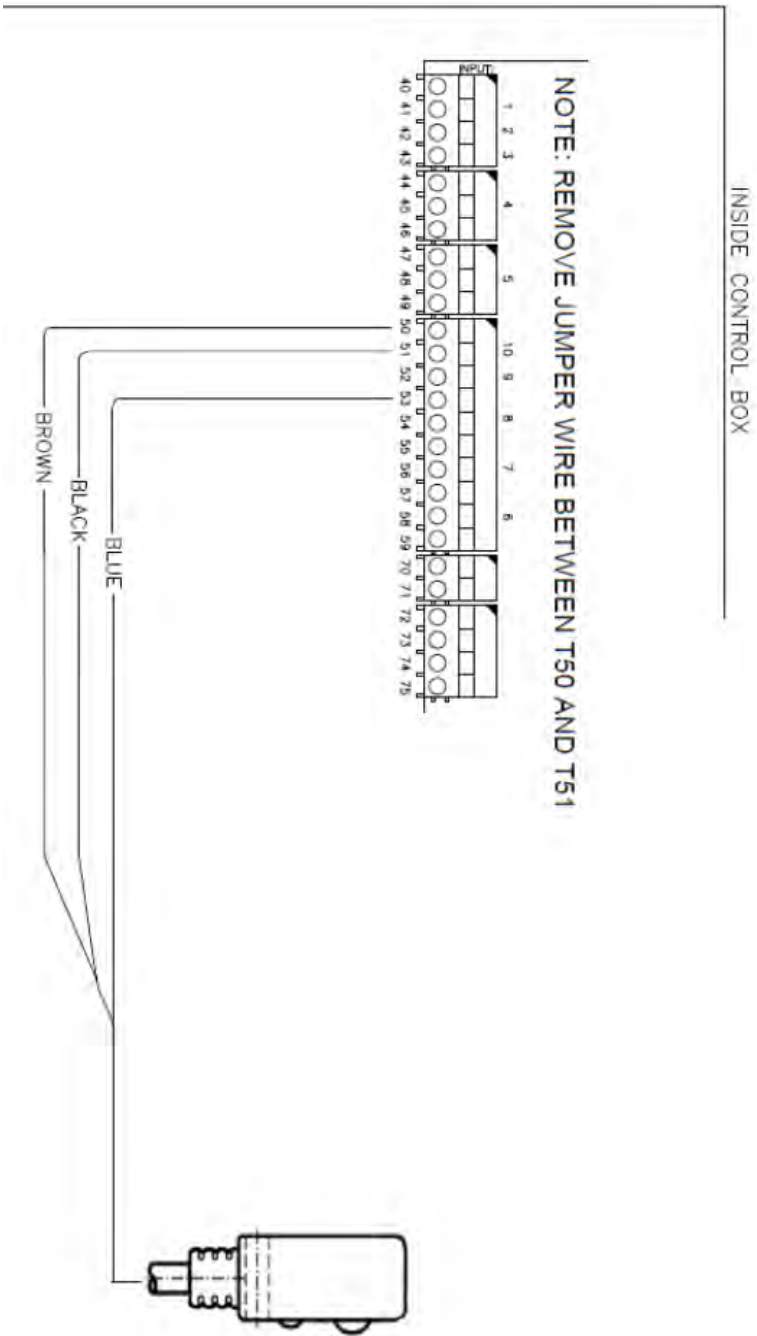
4. Install over travel sensor assembly using funnel screws removed in step 4



5. Attach cable and route to control box securing as required
6. Remove factory jumper between T50 and T51
7. Terminate in the control box at terminals
  - Brown to T50
  - Black to T51
  - Blue to T53
8. Remove lockout from control box
9. Set parameter 50A to 0402
10. Remove other lock outs and return door to service.

**4.10 Overtavel Sensor Connections**

P. 50A = 0402



Everything you've always wanted in a garage door, and more.



German Engineered, American Made

### Our promise to you.

As one of the world's leading manufacturers of doors, we're committed to providing the best quality, value, and selection. Whether residential or commercial, whether steel or high density polyethylene,

whether traditional or contemporary, we have the door you're looking for. Each Hörmann door gives you the perfect array of benefits and options, with the drive to match.



Hörmann Flexon LLC, Burgettstown, PA  
Headquarters and Manufacturing Plant



High Performance Doors and Dock Equipment

**For assistance call 1-800-365-3667**

*Environmental commitment has been part of our corporate culture for decades, from our manufacturing processes to the products we produce. In everything we do, we strive to minimize energy and resource consumption through efficient processes, long-lasting quality and innovative engineering.*

