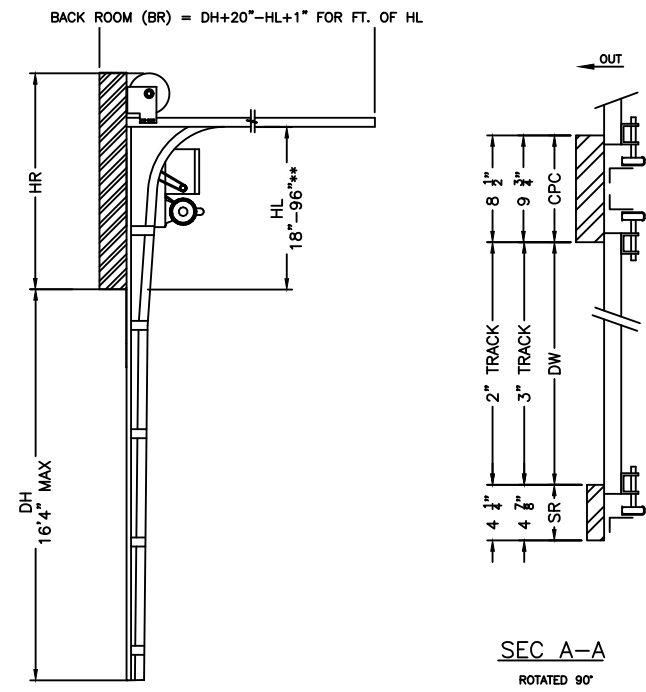
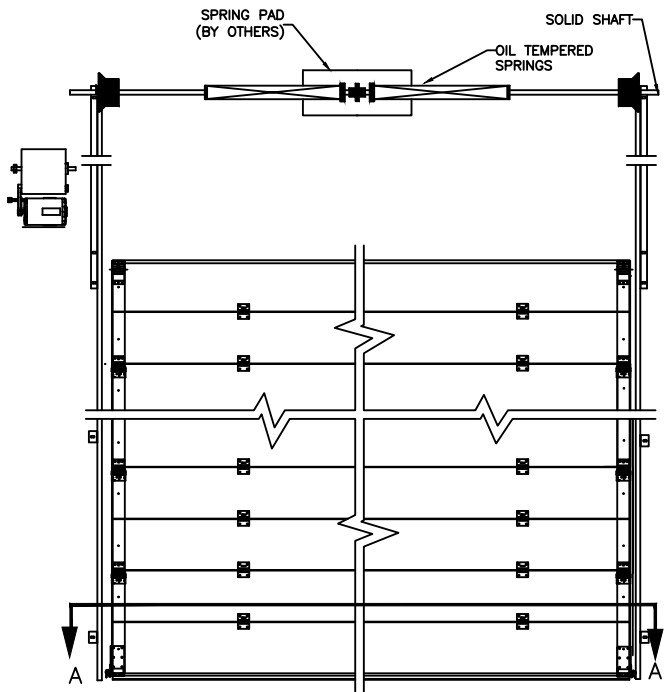


MODEL: SG5000LSH
 CUSTOMER: -
 ADDRESS: -
 CITY & STATE: -
 JOB: -
 LOCATION: -
 COMPANY: -

SIZE: DW= FT IN | DH= FT IN
 MOTOR LOCATION: LEFT RIGHT
 CONTROL BOX LOCATION: RIGHT LEFT
 VOLTAGE: 120V 1PH 230V 1PH
 208V 3PH 230V 3PH 480V 3PH

VISION AREA:
 # OF VISION PANELS: - STARTING AT -"
 # OF PERFORATED PANELS: - STARTING AT -"
 OPTIONS:
 3 BUTTON PUSH STATION -

NOTES:



DH = DOOR HEIGHT
 DW = DOOR WIDTH
 CPC = CENTER POST CLEARANCE
 SR = SIDE ROOM
 HL = HIGH LIFT
 HR = HEAD ROOM

HEADROOM (HR)			
DH	DRUM TYPE	HR	
		2" TRACK	3" TRACK
≤ 14'	4" DIA	HL + 8 1/4"	HL + 9 1/4"
> 14'	5 1/4" DIA	HL + 9 1/4"	HL + 10 1/4"

ALL DIMENSIONS ARE IN INCHES.
 *NECESSARY SPACE REQUIREMENT FOR MAINTENANCE.
 **CONSULT FACTORY FOR HL > 96"
 DRAWING SHOWN LEFT HAND, RIGHT HAND OPPOSITE.

HÖRMANN
 HÖRMANN FLEXON LLC
 STARPOINTE BUSINESS PARK
 117 STARPOINTE BOULEVARD
 BURGETTSTOWN, PA 15021-9506
 PH: 724.385.9150 FAX: 724.385.9151
 www.hormann-flexon.com

TITLE: HIGH PERFORMANCE DOOR SPECIFICATIONS

MODEL: SG5000LSH	PART #:	-
DRAWING #:	PAPER SIZE:	ANSI "B"
PAGE: 1 OF 1	SCALE:	N/A
QTY: -	ENGINEER: ESP	DRAWN: 7/19/2017

WE RESERVE THE RIGHT TO CHANGE SPECIFICATIONS WITHOUT NOTICE