

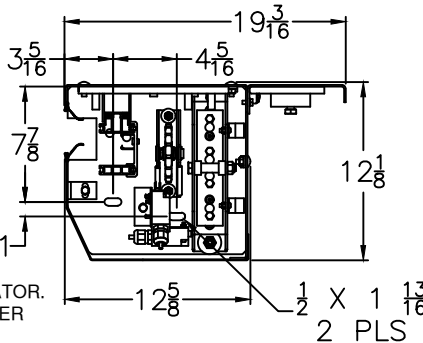
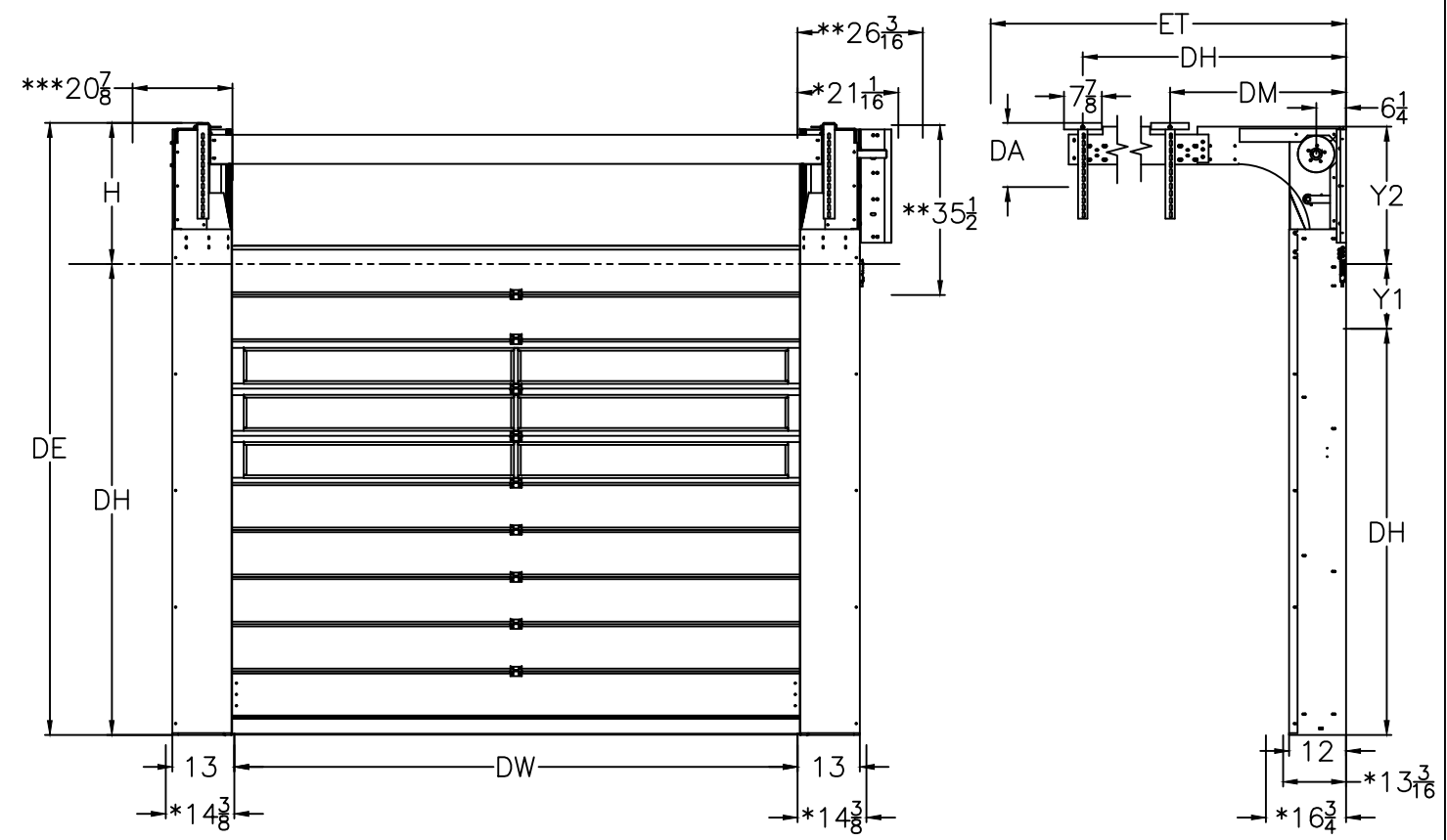
MODEL: SPEED GUARDIAN 5000H-42
CUSTOMER: -
ADDRESS: -
CITY & STATE: -
JOB: -
LOCATION: -
COMPANY: -

SIZE: DW=	DH=	
MOTOR LOCATION: RIGHT	LEFT	
CONTROL BOX LOCATION: RIGHT	LEFT	
VOLTAGE: 208V	230-240V	360-480V

VISION AREA:			
# OF VISION PANELS:	-	STARTING AT	-"
# OF PERFORATED PANELS:	-	STARTING AT	-"
OPTIONS:			
3 BUTTON PUSH STATION	-		
INDUCTION LOOP	-		
MOTION DETECTOR	-		

NOTES:

Dim	Designation	Calculation
DW	Clear passage width	
DH	Clear passage height	
DA	Distance to ceiling	
DM	Ceiling anchor center	
DH	Ceiling anchor rear	ET - 4 3/4
DE	Ceiling height	DH + H
ET	Distance back	2*DH - DE + 39 1/2
H	Headroom	20



- DA Distance to ceiling DE-DH-S+Y2
- DE Ceiling height DA+LDH+S+Y2
- DH Rear ceiling anchor ET-4 3/4
- DM Center ceiling anchor 37 1/8 (ET>49 1/2)
- ET Minimum distance back
2*DH-(DH+S)+39 3/8 (MIN.49 1/2)
- DW Door width
- LH Track height DH+S-Y2 (min.DH+Y1)
- H Headroom min.29 1/2, max.DH+23
- Y1 DH<98 7/16=17 3/8; DH>=98 7/16=19 1/2
- Y2 DH<98 7/16=12 1/4; DH>=98 7/16=10

HORMANN

117 STARPOINTE BOULEVARD
BURGETTSTOWN, PA 15021-9506
PH: +1 (800) 365-3667 FAX: 724.385.9151
www.hormann.us

TITLE: HIGH PERFORMANCE DOOR SPECIFICATIONS			
MODEL:	SG5000H-42	PART #:	-
DRAWING #:	-	PAPER SIZE:	ANSI "B"
PAGE:	1 OF 1	SCALE:	N/A
QTY:	-	ENGINEER:	GJB
		DRAWN:	12/2/2016

ALL DIMENSIONS ARE IN INCHES.
*FITTING CLEARANCE.
**SPACE REQUIRED TO FIT AND DISMANTLE THE OPERATOR.
***SPACE REQUIRED TO FIT AND DIMANTLE SIDE COVER
CONTROL BOX PROJECTION IS 6 INCHES.
DRAWING SHOWN RIGHT HAND, LEFT HAND OPPOSITE.

WE RESERVE THE RIGHT TO CHANGE SPECIFICATIONS WITHOUT NOTICE