



# ISO SPEED COLD

High-performance freezer door  
For cold storage and freezer applications

**HÖRMANN**

# Iso Speed Cold

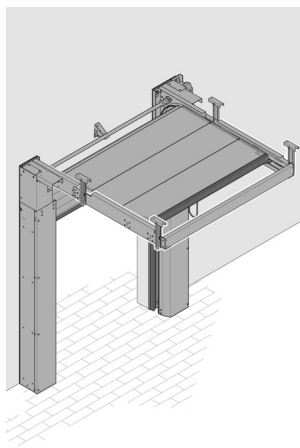
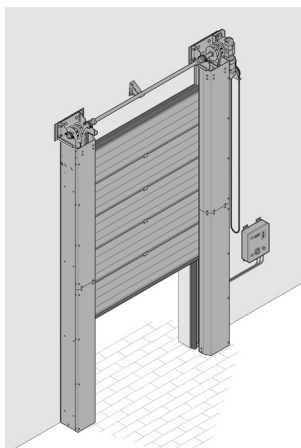
## Cold storage and freezer door

The Iso Speed Cold with its 100 mm (3.9") thick sections include thermal breaks and offer excellent insulation with a U-value of 0.50 W/(m<sup>2</sup>K)\*. Two track configurations are available for refrigerated and cold storage applications. The sections are Stucco-textured on the interior and exterior, in gray white based on RAL 9002. Optional RAL colors are available to match any design requirements.

\* consult factory for door sizes



### Temperature ranges based on door mounting



V - Installation side: Maximum -18° F. Opposite side: Maximum -18° F  
 H - Installation side: Maximum >32° F. Opposite side: Maximum -18° F



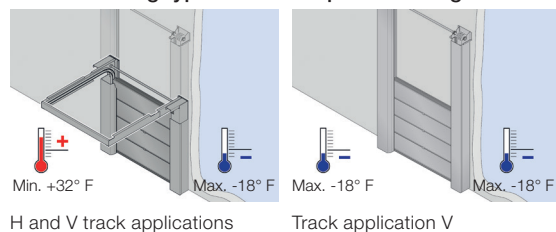
The robust 3.9" (100 mm) thick sections are highly insulated and are available in 200 different RAL colors.

### Heat is an option

For safe and reliable operation

- Heated side elements and bottom plate
- Heated operator
- Heated control housing
- Heated sealing frame

### Possible fitting types in the temperature ranges:



### Application options:

- Exterior door for cold storage warehouses, dock doors
- Use in in-house logistics for production and distribution
- Special solutions for conveyor technology
- Use in transitions with high temperature differences - e.g. pre-cooler area before the deep-freeze area
- Intelligent solution for use in deep freeze areas, replaces sliding door combined with a plastic door

# Equipment features

## Iso speed cold high-performance freezer doors

Door type	Iso Speed Cold V	Iso Speed Cold H
<b>Track configuration</b>	V (vertical-lift)	H (high-lift)
<b>Counterbalance</b> Belt mechanism	●	●
<b>Size range</b>		
Width	16'0"	16'0"
Height – Doors taller than 16'-0" consult factory	16'0"	16'0"
Minimum required headroom	Consult factory	29-1/2"
<b>Operating speeds</b>		
Maximum opening (in/s) - Consult factory	80"	80"
Closing approximately (in/s)	20"	20"
<b>Temperature range**</b>		
Installation side > +32° F, opposite side maximum -18° F = H track Maximum -18° F = V track	●	●
<b>Resistance to wind load (93 mph)</b> (EN 12424)	Class 5 up to 23 psf	Class 5 up to 23 psf
<b>Resistance to water penetration</b> (EN 12425)	Class 3	Class 3
<b>Air permeability</b> (EN 12426)	Class 3	Class 3
<b>Thermal insulation / R-value</b> (EN 13241-1, Appendix B EN 12428)	32	32
U-value in W/m <sup>2</sup> ·K (0.50)	●	●
Section only U-value (0.24)	●	●
Acoustic insulated (STC26, RW 22 db)	●	●
Leed credit (EAC2, MRC1, MRC3)	●	●
<b>Guide Tracks (14 5/8" x 14 1/8")</b>		
11 ga. hot dipped galvanized steel	●	●
<b>Light curtain built into tracks</b>	●	●
<b>Control box heated NEMA 4X /IP 66</b>	●	●
Smart Start™ NXT NEMA 4X UL 3-phase, 480 v (575 v w/transformer)	●	●
Heat package 230 v, 1-phase	●	●
<b>Emergency opening</b>		
Manual chain hoist	●	●
Safety features - built in light grid	●	●

- = Standard
- = Optional
- = Unavailable

\* Factory recommends an on-site floor heating system in the area of the bottom seal to prevent it from potentially freezing to the floor.



### Warranty

The springless design enables us to include our 5 and 2 warranty, ensuring reliable and dependable operation with:

- 5 years or 1,000,000 cycles on operators with VFD
- 2 years on all other mechanical components
- 2 years on electrical components

Download our service support APP for iOS and Android at the App Store or Google Play





# HÖRMANN NORTH AMERICA



Sparta, TN - North American Headquarters / Sectional Doors

## FIVE PRODUCTION PLANTS, ONE FAMILY



Puyallup, WA - Sectional Doors



Montgomery, IL - Sectional Doors



Barrie, ON (CAN) - High Performance Doors



Burgettstown, PA - High Performance Doors

As one of the world's leading manufacturers of doors we're committed to providing the best quality, value, and selection. Whether residential, commercial or industrial, we have the door you're looking for. Each Hörmann product gives you the perfect array of benefits and options to satisfy your customers.

**USA**  
Toll Free: 800.365.3667  
Email: [info2@hormann.us](mailto:info2@hormann.us)  
Website: [hormann.us](http://hormann.us)

**Canada**  
Toll Free: 866.792.9968  
Email: [info@hormann.ca](mailto:info@hormann.ca)  
Website: [hormann.ca](http://hormann.ca)



Follow us on social media



AVAILABLE FROM:

