

EN

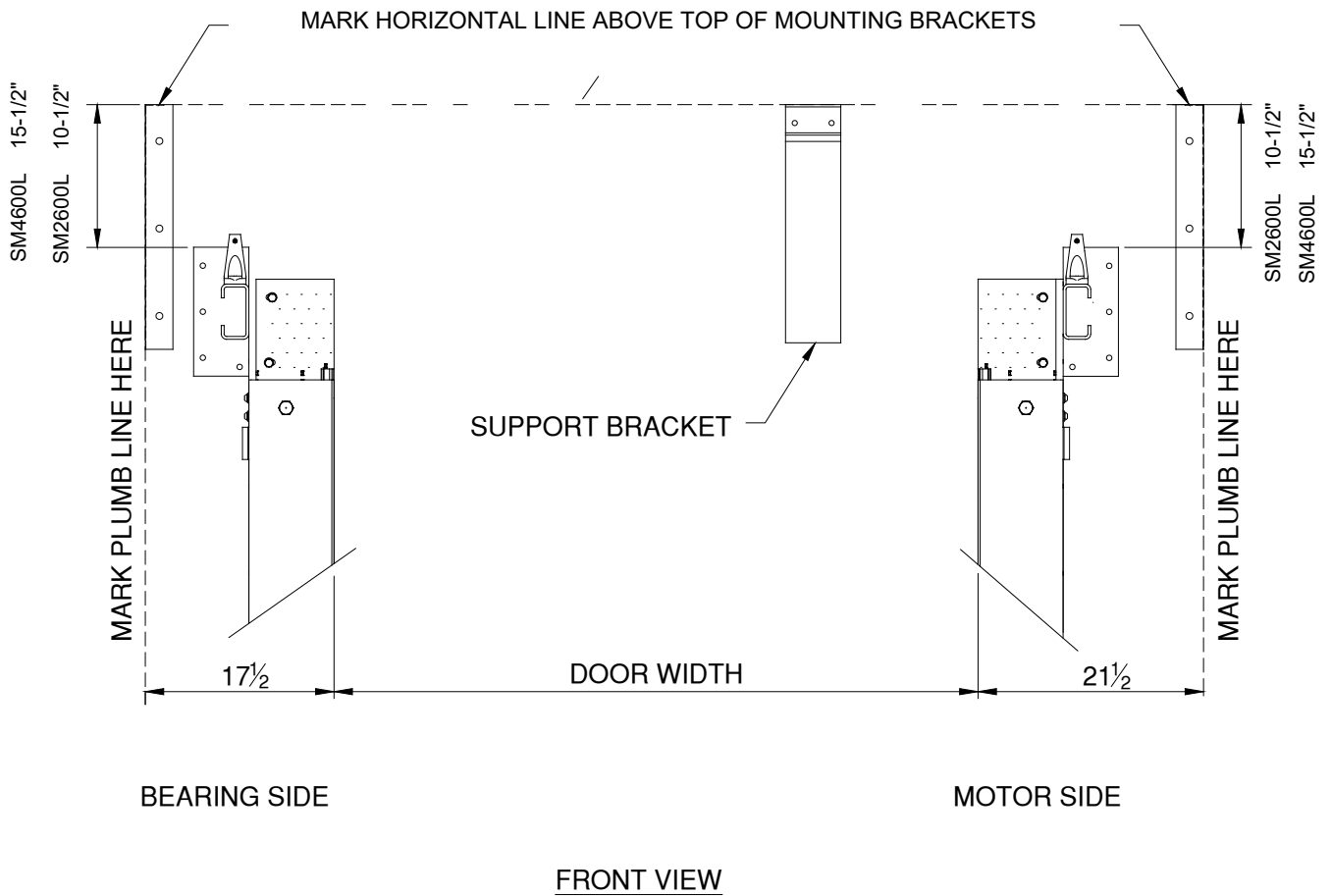
Instructions for Fitting, Operating and Maintenance

SM2600L and SM2600L Hood

After the Speed Master door has been mechanically installed, you can begin mounting the metal hood by following the steps below.

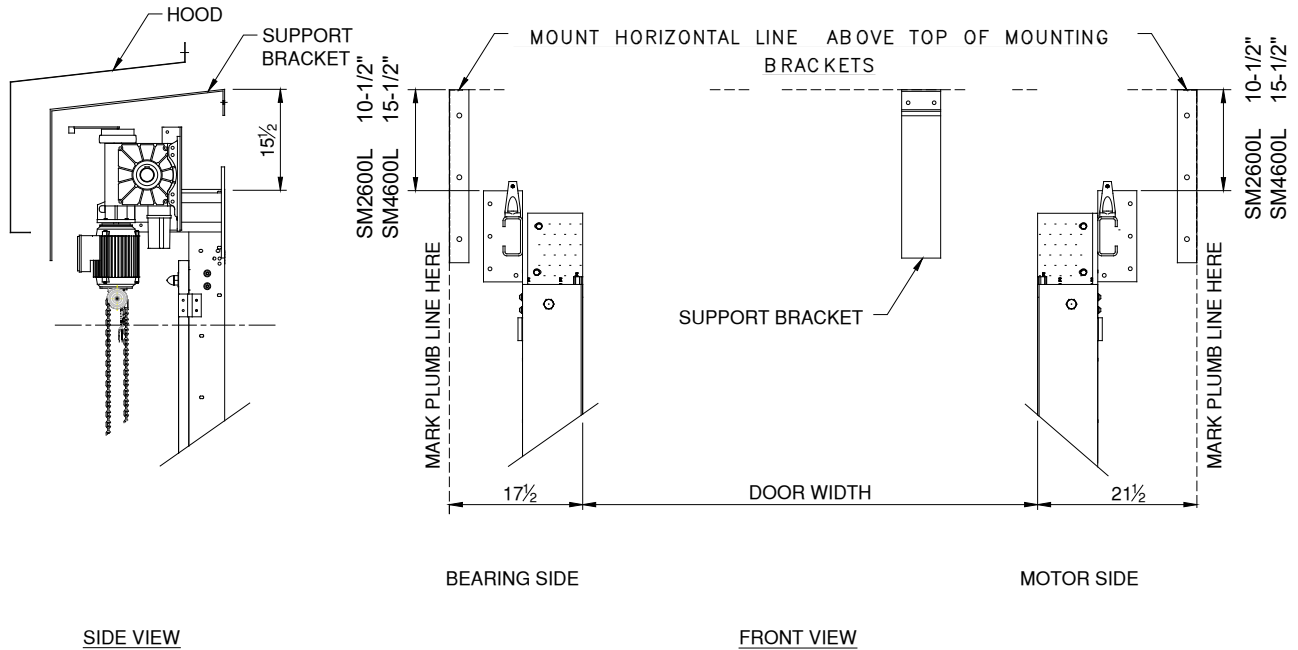
Step 1.

Mark a horizontal line above the top of the mounting brackets and plumb lines as shown below.



Step 2.

Mount the end brackets to the wall with appropriate fasteners. Orient the end panels so that the lip of the end panels point toward the center of the hood. The outer edges of the end caps should line up with the outside lines created in Step 1. The top of the end brackets should line up with the horizontal line created in Step 1.



Step 3.

Mount the hood support brackets to the wall with appropriate fasteners. The hood support brackets are made from 1/4 inch thick steel. Mount hood support brackets centered under each seam where the sections meet. See drawing above. The top of the support brackets should line up with the horizontal line created in Step 1.

Step 4.

Attach hood panels to support brackets using tek screws.

Step 5.

Attach end panels to each end of the hood using tek screws.

Innovative Door Systems

HÖRMANN

Our promise to you

As one of the world's leading manufacturers of doors, we're committed to providing the best quality, value, and selection. Whether industrial or commercial, retail automotive, parking garages, transit, waste management,

fire stations or food processing, we have the door you're looking for. The Hörmann product line has a door for any application, from one manufacturer.



Hörmann, Burgettstown, PA



Hörmann, Barrie, Ontario, Canada

Connect with us!



Visit our website for more information!

Hörmann High Performance Doors
Starpointe Business Park • 117 Starpointe Boulevard
Burgettstown, PA 15021-9506
Phone: 800.365.3667 • 724.385.9150 • Fax: 724.385.9151
www.hormann.us • Email: info2@hormann.us



USGBC
MEMBER

Environmental commitment has been part of our corporate culture for decades. From our manufacturing processes to the products we make.

In everything we do we strive to minimize energy and use of resources through efficient processes, long-lasting quality and innovative engineering.

Hörmann TNR Doors
200 Fairview Road • Unit # 2
Barrie, Ontario L4N 8X8
Phone: 866.792.9968 • Fax: 705.735.9564
www.TNRdoors.com • Email: info@tnrdoors.com

We reserve the right to change specifications without notice. ©Hörmann Flexon LLC