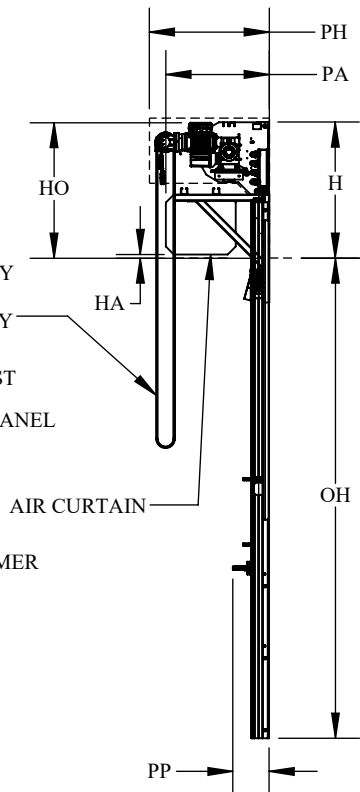


CABLE TRAY

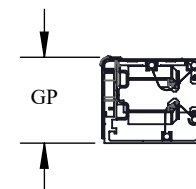
EMERGENCY
MANUAL
CHAIN HOIST

CONTROL PANEL
W1xH1xD1

TRANSFORMER
W2xH2xD2



DOOR DIMENSIONS		
OW	OPENING WIDTH	
OH	OPENING HEIGHT	
SL	SIDEROOM LEFT	7.5"
SR	SIDEROOM RIGHT	18"
SO	SIDEROOM OPERATOR	18"
SG	SIDEROOM GUIDE (CONCRETE/STEEL)	5.5"
H	HEADROOM	35.625"
HO	HEADROOM OPERATOR	35.625"
P	PROJECTION HEADER	19"
PO	PROJECTION OPERATOR	28"
GP	GUIDE PROJECTION	4.25"
PP	PROJECTION PHOTOCELL	n/a
W1xH1xD1	CONTROL PANEL	16"Wx24"Hx8"D
W2xH2xD2	TRANSFORMER	
OPTIONAL HOOD DIMENSIONS		
SLH	SIDEROOM LEFT HOOD	7.5"
SRH	SIDEROOM RIGHT HOOD	18"
HH	HEADROOM HOOD	35.625"
PH	PROJECTION HOOD	28"
OPTIONAL AIR CURTAIN DIMENSIONS		
PA	PROJECTION AIR CURTAIN	26" (min)
HA	HEADROOM AIR CURTAIN	1" (min)



Interior Mount On Interior Wall
RIGHT HAND DOOR SHOWN

**HEATING CIRCUIT REQUIRES SEPARATE SOURCE 120VAC
***EXTERNAL TRANSFORMER REQUIRED WHEN INCOMING POWER IS
NOT 460-480V 3PH, (13"x12"x6"). PORTRAYED TRANSFORMER
LOCATION FOR SIZE REFERENCE ONLY. MUST BE INSTALLED IN
ACCORDANCE WITH LOCAL ELECTRICAL AUTHORITY

HORMANN

DRAWING NUMBER: D-600-0169

DOOR MODEL: HD_Chillfast

END USER:

DEALER:

DOOR SIZE:

DW REFERENCE:

SERIAL #: