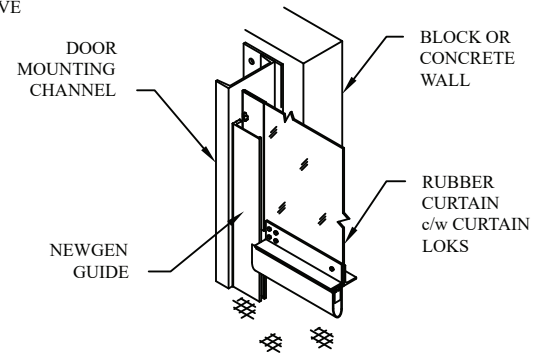


NEWGEN GUIDE AND CURTAIN LOK SYSTEM STEEL JAMB MOUNTING



NEWGEN GUIDE AND CURTAIN LOK SYSTEM CONCRETE WALL MOUNTING \*\*

\*\* CLEARANCE DIMENSION IS 14 1/2" FOR OPTIONAL CONCRETE MOUNT CONFIGURATION  
 \*\*\* OPTIONAL HOODS REQUIRE 14" & 19" SIDEROOM, 50" HEADROOM AND 44" OPERATOR PROTRUSION

**TNR INDUSTRIAL DOORS INC.**

**SHOP DRAWING, MODEL HDXL 6, LEFT HAND**

EXT. DETAIL: DOOR MOUNT OPERATOR & C'BAL SPRINGS

LIMITATIONS: UP TO 35' 0" x 25' 0"

DATE DR'N: JANUARY 28, 2004

REVISION: L - SEPT. 29, 2020

DRAWN BY: HOWARD MULRAIN

DRAWING No.: D-600-0005

**ELECTRICAL CRITERIA:**

CONTROL PANEL NEMA/EEMAC 4 STD. OR \_\_\_\_\_

PRIMARY POWER SUPPLY: \_\_\_\_\_ Volts, 3 Phase, 60 Hertz

OPERATOR CRITERIA: HG, HIGH EFFICIENCY HELICAL GEAR

LIMIT BOX NEMA/EEMAC 4 STD. OR \_\_\_\_\_

\_\_\_\_\_ HP, DOOR SPEED: OPEN & CLOSE UP TO@ \_\_\_\_\_ ips

END USER:

DEALER:

DOOR SIZE:

SERIAL No.: TNR-

MECHANICAL OPTIONS	ELECTRICAL OPTIONS	STANDARD SYSTEM INCLUDES
<input type="checkbox"/> - 100,000 CYCLE C'BAL SPRINGS	<input type="checkbox"/> - RELAY LOGIC CONTROLS	- SPEEDS UP TO 20 IPS
<input type="checkbox"/> - GUIDE GUARDS	<input type="checkbox"/> - FUSED DISCONNECT	- NEMA 4, WALL MOUNTED CONTROL PANEL
<input type="checkbox"/> - *** EXTERIOR HOODS	<input type="checkbox"/> - LOOP DETECTOR	- NEMA 4 LIMIT BOX ON OPERATOR
<input type="checkbox"/> - 16" x 16" WINDOWS, QTY. _____	<input type="checkbox"/> - WIRELESS RECEIVER	- 50,000 CYCLE COUNTERBALANCE SPRINGS
<input type="checkbox"/> - BLUE EPDM CURTAIN	<input type="checkbox"/> - WIRELESS TRANSMITTER, QTY. _____	- WIRELESS REVERSING EDGE
<input type="checkbox"/> - GRAY EPDM CURTAIN	<input type="checkbox"/> - N 4X, PUSHBUTTON ST'N, QTY. _____	- THRU-BEAM PHOTOEYE
<input type="checkbox"/> -	<input type="checkbox"/> - MOTION DETECTOR, QTY. _____	- 5" HIGH, BLACK EPDM RUBBER LOOP
<input type="checkbox"/> -	<input type="checkbox"/> - ADD. THRU-BEAM PHOTOEYE, QTY. _____	- KNOCK-AWAY STYLE BOTTOM BAR
<input type="checkbox"/> -	<input type="checkbox"/> - ADD. REFLECTIVE PHOTOEYE, QTY. _____	- NEWGEN GUIDE AND CURTAIN LOK SYSTEM
<input type="checkbox"/> -	<input type="checkbox"/> - CONSTANT PRESSURE CLOSE	- PROGRAMMABLE CONTROLLER
<input type="checkbox"/> -	<input type="checkbox"/> -	- CONTROL PANEL NON-FUSED DISCONNECT
<input type="checkbox"/> -	<input type="checkbox"/> -	-