

EN

Owner's Manual for Operation and Maintenance


CHAIN DRIVE door models: HD-CD 3025, HD-SD 3050, HD-SD 3020, HD-M 1500

Contents

1 About These Instructions..... 2

1.1 Further applicable documents..... 2

1.2 Warnings used..... 2

2  Safety Instructions..... 3

2.1 Intended use..... 3

2.2 Qualification of personnel..... 3

2.3 Standards and regulations 3

2.4 General safety instructions..... 3

2.5 Safety instructions for operation 3

2.6 Safety warning and instructions 4

2.7 Safety instructions for maintenance and troubleshooting 4

3 Installation..... 4

4 Putting into Service 5

4.1 Test run 5

5 Operation..... 5

5.1 Instructed personnel..... 5

5.2 Normal wear 5

5.3 Emergency-OFF 5

6 Inspection and Maintenance 5

6.1 Maintenance intervals..... 6

6.2 Wearing parts 6

7 Control Box 6

8 Malfunctions and Troubleshooting 6

9 Cleaning and Care 6

10 Dismantling and Disposal 7

11 Limited Warranty 7

12 Spare parts 8

13 Light Curtain 8

13.1 Initial start-up and adjustment..... 8

13.2 Output logic..... 8

13.3 LED display..... 8

13.4 Troubleshooting 8

14 Programming Electric Wireless Edge..... 8

14.1 Transmitter..... 8

14.2 Receiver..... 8

15 Programming Monitored Edge..... 9

15.1 Programming sequence 9

15.2 Programming sequence 9

15.3 Receiver and transmitter LEDs..... 9

16 Installation and Commissioning Checklists..... 10

17 Maintenance Schedule..... 11

18 Maintenance Log 12

19 Reset procedures after a vehicle impact 13

19.1 Reset procedure for standard door 13

20 Automated door set up recommendations 14

20.1 Application set up for one-way traffic 14

20.2 Application set up for two-way traffic 15

21 Replacement Parts 16

Dear Customer,

We are delighted that you have decided to choose a high-quality product from our company.

1 About These Instructions

These instructions are divided into a text section and an illustrated section. The illustrated section can be found after the text section.

The information contained within this manual will allow you to operate and maintain your Hörmann to maximize its life and give you years of trouble free operation.

Do not operate or maintain this product until you have read and understand the contents of this manual.

These instructions are **original instructions** as outlined in the EC Directive 2006/42/EC. Read through all of the instructions carefully: they contain important information about the product. Pay attention to and follow the instructions provided, particularly the safety instructions and warnings.

Please keep these instructions in a safe place and make sure that they are available to all users at all times.





Proper operation and competent maintenance influence the performance and longevity of your HD SERIES door. Operating errors and inadequate maintenance lead to avoidable failures. Only competent operation and proper maintenance will guarantee satisfactory, long-term operational safety.

If you have any questions about this manual or how to maintain or use the product, contact Hörmann. Refer to the serial number when contacting Hörmann. The serial number can be found on the electric operator, control box and mounting angle.

1.1 Further applicable documents

Depending on the ordered accessories, the delivery includes further instructions, e.g. instructions on how to control the door. Also read these instructions carefully and thoroughly. Pay attention to and follow the instructions provided herein, particularly the safety instructions and warnings.

1.2 Warnings used

	The general warning symbol indicates a danger that can lead to injury or death . In the text, the general warning symbol will be used in connection with the caution levels described below. In the illustrated section an additional text instruction refers back to the illustration.
 DANGER	Indicates a danger that leads directly to death or serious injuries.
 WARNING	Indicates a danger that can lead to death or serious injuries.
 CAUTION	Indicates a danger that can lead to minor or moderate injuries.

Dissemination as well as duplication of this document and the use and communication of its content are prohibited unless explicitly permitted. Noncompliance will result in damage compensation obligations. All rights reserved in the event of patent, utility model or design model registration.

ATTENTION

Indicates a danger that can lead to damage or destruction of the product.

2  **Safety Instructions**

When used properly and for the intended purpose, HD SERIES doors are reliable and safe to operate. Nevertheless, when used incorrectly or for purposes other than those intended, they can pose a risk. We therefore expressly draw your attention to the safety instructions contained in the individual chapters.

2.1 Intended use

HD SERIES doors are used to close door openings, to save energy costs, to improve the room air conditions and to accelerate the flow of materials.

Intended use also includes paying attention to these instructions and observing inspection and maintenance conditions.

Failure to follow the procedures contained within this manual may result in injury or death, damage to property or the product. Any deviations to the procedures or alterations to the product that are not authorized by Hörmann will automatically void the warranty and may cause injury or even death.

Any other or further use is regarded as non-intended use. The manufacturer / supplier is not liable for any damage resulting from this. The risk is borne solely by the user.

2.2 Qualification of personnel

Only qualified and instructed personnel may install, operate and maintain the HD SERIES door.

Two qualified installers (Technician training is available from Hörmann)

Qualified welder

Qualified electrician

Before commencing work the assigned personnel must read these instructions, particularly chapter 2.

For safety reasons, specify distinct responsibilities for operation, maintenance and repairs to ensure that there are no unclear assignments.

2.3 Standards and regulations

All electrical work must meet local, provincial, state and federal codes.

Fabricators and erectors responsible for welding structures fabricated or erected under CSA-S16 (the Design Standard for structural steel in Canada) shall be certified by the Canadian Welding Bureau to the requirements of CSA Standard W47.1 (Division 1 or Division 2) or W55.3, or both, as applicable.

Part of the work may be sublet to a Division 3 fabricator or erector; However, a Division 1 or Division 2 fabricator or erector shall retain responsibility for the sublet work. These Standards are valid in Canada only thus the local equivalents must be applied outside of Canada. The U.S.A equivalent specification is called AWS D1.1/D1.1M and erector or fabricator should be AWS certified welding fabricator certified under AWS QC17 or AWS B5.17.

2.4 General safety instructions

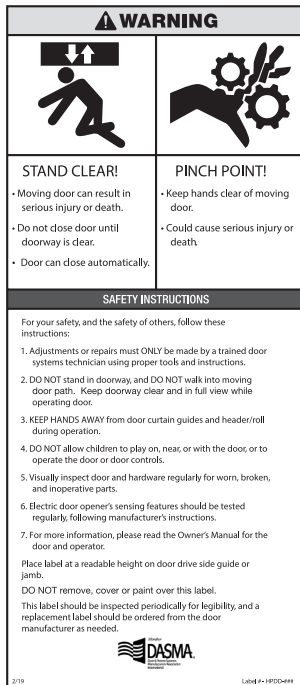
- In addition, also observe the generally applicable statutory regulations and other binding regulations for accident prevention and environmental protection, country-specific regulations and the recognised specialist technical rules for safe and competent working. Before beginning work, instruct personnel in accordance with these rules and regulations.
- Always keep these instructions available at the location where the industrial door is used.
- Without the supplier's prior approval, do not carry out any modification, attachment or conversion work on the industrial door which might compromise safety.
- Do not make any modifications to the software on programmable control systems.
- The location and operation of fire extinguishers must be indicated by appropriate information signs. Observe the statutory fire alarm and fire-fighting regulations.
- All work on the industrial door (such as maintenance, cleaning work and inspections) may only be performed during an operational shutdown.
- Only qualified electricians may perform work on the main power supply.
- Always refer to the AS500FUE-1 Control Box - Electrical Diagrams & Operation Manual that ships with the product when making all electrical connections.
- Before undertaking any work, disconnect the system from the main power supplies and ensure that it cannot be inadvertently turned on. If available, deactivate the emergency opening lever.

2.5 Safety instructions for operation

- Before actuating the door, make sure that no persons or objects are located in the door's area of travel.
- Do not reach into the guide or guide area while the door is in operation.
- Only actuate the industrial door if it is safe and functional. All protective devices and safety related devices (e.g. detachable protective devices and emergency-OFF devices) must be present and functioning.
- Do not modify or put the safety devices out of operation.

2.6 Safety warning and instructions

- It is recommended that these 2 warning labels are placed in a visible location on or near the door by the installer, to warn pedestrians about the safe use of this door.



2.7 Safety instructions for maintenance and troubleshooting

- Perform inspection and maintenance work as described in chapter 6. Comply with the maintenance intervals and note the information on the replacement of parts and sub-assemblies.
- Maintenance and troubleshooting may only be carried out by qualified personnel.
- Only use spare parts that comply with the technical requirements specified by the manufacturer. This is always guaranteed when original spare parts are used.
- Only carry out welding, cutting or grinding work on the HD SERIES door if this work has been expressly approved. There may be a risk of fire and/or explosion. Prior to welding, cutting or grinding, remove dust and combustible materials from the industrial door and its surroundings and ensure that there is adequate ventilation (to reduce risk of explosion).
- Before disassembling the operator, fix the shaft on the operator side (e.g. with a forklift).

3 Installation

<b style="font-size: 1.2em; margin-left: 5px;">DANGER
<p>Primary power supplies</p> <p>Contact with the primary power supplies presents the danger of a deadly electric shock. For that reason, observe the following warnings under all circumstances:</p> <ul style="list-style-type: none"> Only qualified electricians may perform work on the primary power supplies.

- | |
|---|
| <ul style="list-style-type: none"> Ensure that the on-site electrical installation complies with the applicable safety requirements. Ensure that the national regulations governing the operation of electrical equipment are complied with. Install the control box for the HD SERIES door operator within sight of the door. Before undertaking any electrical work, disconnect the system from the primary power supplies and ensure that it cannot be inadvertently turned on. Ensure that all electrical power sources have been locked out and tagged out according to OSHA regulations and local electrical codes. Test the equipment to ensure it can't start moving and that the electrical power is disconnected prior to commencing work. Ensure that any local disconnects, fuses, or breakers are sized correctly for the product. |
|---|

<b style="font-size: 1.2em;">ATTENTION
<p>External voltage</p> <p>External voltage on the connecting terminals of the control will destroy the electronics.</p> <ul style="list-style-type: none"> Do not apply any external voltage (e.g. primary power supplies) to the connecting terminals of the control unit.

<b style="font-size: 1.2em;">ATTENTION
<p>Pull forces on electric cables</p> <p>Pull forces on electric cables will destroy the electronics.</p> <ul style="list-style-type: none"> Never pull on the connecting leads of the electrical components.


NOTE:





All mounting fasteners to be sourced and supplied by installer. Refer to fastener instructions for torque specifications.

Before installing the door:

- Limit access to the work site to authorized personnel only.
- Check the on-site conditions for the door installation (check measurements).
- Check the quality of the structure for its strength.
- The mounting surface must be free of obstructions.
- Unpack the door and check for damage.
- Verify the contents of the shipment with the packing slip to ensure that there are no missing parts.
- If there is anything missing contact Hörmann immediately to allow prompt delivery of the missing parts and minimize any delays in the installation of the product.
- Dispose of the packaging material.
- When installing multiple doors at the same time, always ensure that all of the parts correspond to the correct serial number for each specific door.
- The capacity of the crane or forklift must be sufficient to hoist the header assembly into place. Minimum height capacity for crane or forklift is dependent on the door model. Contact Hörmann for door specific size and weight.

4 Putting into Service

 WARNING	
Faulty door	
A faulty door may injure persons or damage objects.	
▶ Only put the door into service if it is in perfect condition.	

 WARNING	
  	Door movements Door travel may injure persons or damage objects.
	▶ Make sure that no persons or objects are in the door's closing area during operation.
	▶ Never use the door to lift objects or persons.
	▶ Never reach into the guides.





4.1 Test run

1. After installing the door, test the functional safety according to the acceptance / commissioning report.
2. Verify in the log book (dated and signed, chapter 18) that a test run has been successfully completed.

5 Operation

NOTE:

It is the responsibility of the company that sold the door to the enduser to ensure that the door is set up in such a way to provide adequate protection from accidental impacts / collisions with the door. Refer to chapter 20 for Hörmann recommendations for using sensors to automatically open, close and reverse the door when an obstruction is present. Use sensors to automatically open, close, and reverse the door when an obstruction is present.

 WARNING	
  	Door movements Door travel may injure persons or damage objects.
	▶ Make sure that no persons or objects are in the door's closing area during operation.
	▶ Make sure that the door has opened completely before driving in or out! Never drive or walk through doorways unless the door has reached the OPEN end-of-travel position.
	▶ Whenever driving in or out of the opening, always check that the door curtain has travelled up far enough to provide the necessary passage height.
	▶ Never use the door to lift objects or persons.

▶	Do not reach into the guide, guide area or or curtain roll while the door is in operation.
---	--

ATTENTION	
Emergency operation devices	
Too frequent use of the emergency operation devices may damage them. This will also void the warranty for the door.	
▶ Only use the emergency operation devices in the case of a power failure or during repair work.	

ATTENTION	
Abrasive / corrosive environments, wind and heat	
Abrasive / corrosive environments, wind and heat may damage the door.	
▶ Protect the door from abrasive and corrosive materials:	
<ul style="list-style-type: none"> – Salt, stone or concrete – Cement – Plaster – Acids – Alkali – Road salt – Aggressive paints or sealants 	
▶ Avoid operating temperatures below:	
<ul style="list-style-type: none"> –40 °C (–40 °F) for SBR black curtains –49 °C (–56 °F) for EPDM blue / grey curtains 	

5.1 Instructed personnel

The door may only be operated by persons who have been instructed in its proper use. A person is considered to be instructed, if he / she has received instruction as to how to operate the door safely and has received permission from the owner to use the door system.


5.2 Normal wear

The design of this door represents state-of-the-art technology. Pressure marks and abrasive wear are normal and cannot be avoided.

5.3 Emergency-OFF

- ▶ In emergency situations, de-energise the control box by turning the main power disconnect OFF, disconnecting the primary power supplies or, if available, actuating the red **emergency-OFF** button.

6 Inspection and Maintenance




 WARNING	
Unmaintained doors	
There is a danger of injury or damage if the door is not regularly maintained. This will also void the warranty.	
▶ Inspect and maintain the door regularly as described in these instructions or entrust this work to the door installer's service department.	

⚠ DANGER

Primary power supplies
 Contact with the primary power supplies presents the danger of a deadly electric shock.

- ▶ Before undertaking any electrical work, disconnect the system from the primary power supplies and ensure that it cannot be inadvertently turned on.


⚠ WARNING

Door movements
 There is a danger of injury or damage if the door is actuated during inspection or maintenance work.

- ▶ Before undertaking any work, disconnect the system from the primary power supplies and ensure that it cannot be inadvertently turned on.
- ▶ If available, deactivate the emergency opening lever / handle.

⚠ WARNING



Falling parts
 During installation and dismantling, parts may fall and injure persons or damage property.

Covers and hoods (option)

- ▶ Secure the covers / hoods (e.g. with a forklift) before dismantling.

Shaft

- ▶ Secure the shaft (e.g. with a forklift) before dismantling the operator.

Only inspect and maintain the door yourself if you are a qualified specialist. In other words, you have the suitable training, specialist knowledge and practical experience to allow you to carry out inspection and maintenance correctly and safely.

Observe all the applicable regulations governing work safety. In general, we recommend entrusting maintenance / inspection to the door installer's service department.

The high-speed door is low-maintenance. In normal operating conditions, all the bearings, including the gears, are lubricated for life and are maintenance-free.

6.1 Maintenance intervals

In compliance with the local guidelines for power-operated windows, doors and gates testing and maintenance of the door must be carried out once a month, and into the future at the same intervals.

Depending on the size of the door and the annual number of door cycles, we recommend the following maintenance intervals:

In the case of a higher number of door cycles (> 50,000 per year):

Servicing of the functional elements every six months:

- Electric operator and brake

Servicing of the following elements every month:

- function of reversing edge
- function of reversing photoeye
- open and close Limit settings
- loose fasteners
- curtain tracking

In the case of a lower number of door cycles:

Annual servicing in conjunction with the stipulated test procedures according to local regulations.

- ▶ Check the function of the light curtain every one month.

6.2 Wearing parts

If provided, the indicated maximum assumable cycles or door cycles apply to the following wearing parts:

Wearing parts	Cycles	Period
Operator with VFD (60% ON time)	1,000,000	5 years
All other operators	-/-	2 years
Brake	250,000	2 years
Reversing edge transmitter battery	-/-	2 years
Door Seals / Wear strips	-/-	2 years
Curtain	-/-	Limited Lifetime
Light Curtains	-/-	2 years

7 Control Box

Each control box has its own identification serial number.

- ▶ Always quote this number when calling the door installer or manufacturer for parts or technical support.

8 Malfunctions and Troubleshooting

In the case of malfunctions, contact the door installer's or manufacturer's service department.



Operator power

The operating voltage must be 230 V ± 5 % or 460 V or 600 V ± 5 %. If the voltage deviates beyond this, there may be problems with the operator power.

9 Cleaning and Care

- Rubber curtain: Use RV Rubber Roof Cleaner. Rinse thoroughly.
- Vinyl curtain: Use water and mild detergent. Rinse thoroughly.

10 Dismantling and Disposal

 WARNING	
	<p>Falling parts During dismantling, parts may fall and injure persons or damage property</p>
	<p>Covers and hoods (option) ▶ Secure the covers / hoods (e.g. with a forklift) before dismantling.</p>
	<p>Shaft Secure the shaft (e.g. with a forklift) before dismantling the operator.</p>

Only dismantle this door if you are qualified to do so. In other words, you have the suitable training, specialist knowledge and practical experience to allow you to dismantle the door correctly and safely.

Observe all the applicable regulations governing work safety when dismantling the door.

To dismantle and dispose of the door:

1. Open the door fully.
2. Carefully roll up the door manually (emergency manual operation).
3. Using rope, tie rope around the door curtain enough times to prevent it from unrolling.
4. Drive a forklift truck with suitable pallet or supporting frame underneath the header assembly (curtain, drive barrel, shafts, end plates), so that the header assembly rests on the pallet or supporting frame.
5. Remove the fasteners securing the end-plate to the mounting angle.
6. Lift the header assembly together with the operator away from the top of the door opening and place on floor.

CAUTION

The operator may slide off the drive shaft

- ▶ When lowering the header assembly down, take care to keep it level.
7. Dismantle the side guides.
 8. Disassemble the door into component parts and dispose of them properly.

11 Limited Warranty

HD SERIES Rubber Doors

All rubber door systems manufactured by TNR Industrial Doors Inc. (hereinafter, Hörmann) are warranted from the date of shipment against defects in materials and workmanship, according to the following:

- **Curtain and Curtain Loks:** The NEWGEN® Guide and Curtain Lok™ system and curtain material are warranted against defects in material and workmanship for the lifetime of the door. Undesirable aesthetics of the curtain not causing performance issues of the door are not considered a defect and are therefore not covered under this warranty.
- Undesirable aesthetics of the windows not causing performance issues of the door are not considered a defect. Normal window wear and aging are not covered under this warranty.

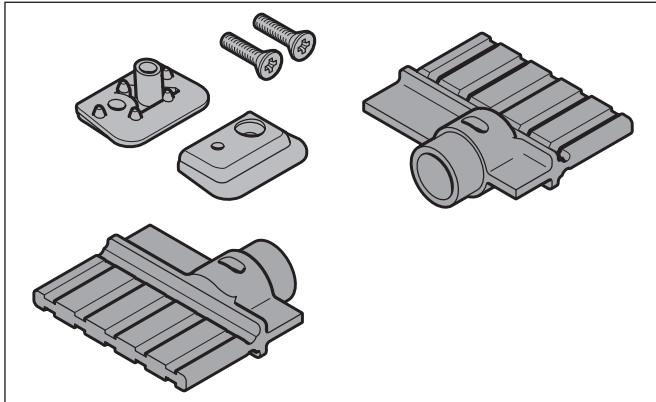
- **Operators:** Operators with frequency drives are warranted for five (5) years or 1,000,000 cycles, whichever occurs first. All other operators are warranted for two (2) years.
- **Mechanical/Electrical:** All other mechanical components are warranted against defects for two (2) years with unlimited cycles. All electrical components including sensors are warranted against defects for two (2) years.
- Brake pads, bottom bar arms and inertia brakes are wear items and are not warranted against normal wear, however, they are warranted for two (2) years against defects in materials and workmanship.
- Items that may void the warranty include but are not limited to: powering doors with a generator, lubricating guides or curtain, drilling holes in the limit box or control box or other enclosure in any location other than the bottom of the enclosure, not ordering control box or operator heaters where the control box or operator will be installed in temperatures below 41° F (5° C), not installing buck-boost transformers on Smart Start™ NXT control boxes where the primary supply voltage is measured at less than 210 V AC, not using the appropriate electrical conduit/fittings for the environment, improper installation, inadequate building framing and clearances, environmental conditions that Hörmann was not made aware of in writing prior to the door being ordered, modification to the door system without prior authorization from Hörmann.
- Documented proof of completion of the recommended maintenance in chapter 6 of this manual must be provided with warranty claims. Warranty is void without proper documentation.
- If, within the applicable warranty period stated above, any parts are found to be defective, replacement parts will be supplied free of charge, F.O.B. Hörmann's plant in Barrie, Ontario, Canada. Warranty only applies provided that recommended installation and maintenance procedures have been followed, as outlined in this Owner's Manual.
- This warranty does not include replacement of parts due to damage beyond the control of Hörmann, such as damage in transit, impacts, caustic environments, or damage during storage. If door is not installed when it arrives on site, Hörmann strongly recommends the door is protected from weather and damage. The door should be covered and secured in a dry, enclosed building until it is installed.
- Warranty claims must be made to Hörmann or to the authorized distributor where the door was purchased. Defective parts are to be returned to Hörmann in Barrie, Ontario, Canada, prepaid, for verification of the warranty claim. Any warranty coverage is only effective after the door is paid in full.
- Additionally, at the time of delivery, it is important to verify that all parts (pieces should match with the bill of lading/packing slip) have been received and that no damage has occurred during shipping. If any missing parts or damaged components are identified, note any damages and/or shortages on the bill of lading/packing slip, then sign it. In the event that this happens, please send Hörmann a signed copy immediately.

12 Spare parts

There are no parts to replace on the door system during routine maintenance checks.

HD SERIES	
Description	QTY
Curtain-Lok™ kit	2 sets
Bottom bar arms	1 set

The bottom bar arms and Curtain Loks can be damaged if door is impacted therefore these are recommended spare parts.



13 Light Curtain

13.1 Initial start-up and adjustment

1. Connect light curtain to control box.
2. The status display (red LED on the receiver) flashes quickly during the adjustment process.
3. The system is ready for operation once the green LEDs are lit.
At least one light beam is interrupted if the status display (red LED on the receiver) is lit.

ATTENTION

The light curtain elements may no longer be moved after initial start-up!

13.2 Output logic

Object	Output	Yellow LED
Present	Open	OFF
Not present	Closed	ON

13.3 LED display

Red	Status
Yellow	Output
Green	Operating voltage

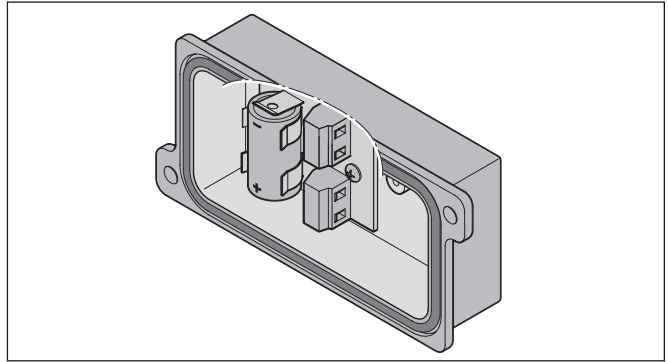
13.4 Troubleshooting

Possible cause	Troubleshooting
The red status LED in the SGT receiver is continually lit	<ul style="list-style-type: none"> • Transmitter is inactive, check the wiring, check the test signal • Bottommost beam is interrupted, remove the obstruction • Extraneous light in the bottommost beam
Yellow output LED flickering	<ul style="list-style-type: none"> • Extraneous light from another system, change the fitting position of the other system, eliminate the light from the other system

14 Programming Electric Wireless Edge

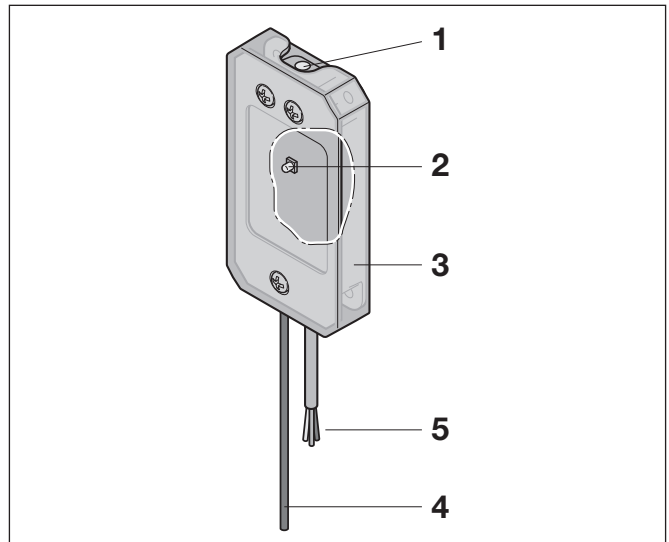
14.1 Transmitter

Shipped loose to be installed after the door is installed



14.2 Receiver

The receiver will be factory installed and wired in the control panel



1	Programming Button	3	Transparent plastic Cover
2	Receiver LED	4	Antenna
5	Wiring: Power Brown: +24 VAC or VDC White: 0 V	Relay: Green: common Yellow: normally open Black: normally closed	

1. Move the door so that the bottom bar is approximately 48 inches (122 cm) from the floor and press the e-stop on the control panel.
2. Remove the lid from the transmitter.
3. Remove the paper from the battery in the transmitter.
4. Press and hold the programming button on the receiver until the receiver LED begins flashing slowly. **Once it begins flashing release the programming button.**
5. Activate the reversing edge with your hand (the transmitter LED will come on once. The receiver LED will flash quickly 8 times then stop).
6. The receiver LED will begin flashing slowly again. When it does, press and hold the programming button until the receiver LED flashes quickly. **Remove your finger from the programming button before the receiver LED stops flashing.**
7. The receiver LED will now be off. If it is still on, that means the programming button was not released prior to the receiver LED finished flashing. Return to step 4.
8. Activate the reversing edge with your hand while the door is closing. The transmitter and receiver LEDs should both flash once and the door should reverse.

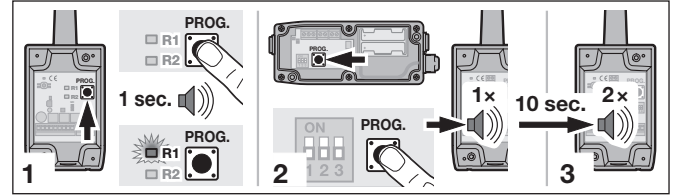
Receiver LED	
Off	Idle - waiting for signal from transmitter to reverse door
Slow flashing during programming	Waiting for signal from transmitter to sync transmitter and receiver
Quick flashing during programming	Relay in receiver is being programmed
Flashes once during normal operation	Received as signal from the transmitter to reverse door
Slow flashing during normal operation	Battery is low - change the battery

Transmitter LED	
Off	Idle - waiting for activation of reversing edge
Flashes once	Received an activation from the reversing edge. Sending a signal to the receiver
Flashes twice or three times	Received an activation from the reversing edge. Sending a signal to the receiver but with reduced batter power. Replace battery

15 Programming Monitored Edge

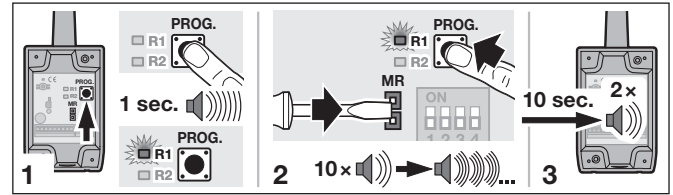
15.1 Programming sequence

- Press PROG button on the receiver (1) until R1 LED lights (2)
- Press PROG button on the transmitter (3)
- A beep will be heard on the receiver indicating the transmitter is properly programmed (4)
- To exit programming mode, wait for 10 seconds or press PROG button the reciever. Two beeps will be heard.



15.2 Programming sequence

- Press PROG button on the receiver (1) until R1 LED lights (2)
- Press PROG button on the transmitter (3)
- A beep will be heard on the receiver indicating the transmitter is properly programmed (4)
- To exit programming mode, wait for 10 seconds or press PROG button the reciever. Two beeps will be heard.



15.3 Receiver and transmitter LEDs

Receiver		Transmitter		
RB3 R	ATEST LED	BEEPS	RB3T	
R1/R2 LED			IN1/IN2 LED	
(Sun icon)	●	(Speaker icon)	(Sun icon)	Edge activated
			●	Receiver is being activated by another transmitter
		4 x (Speaker icon) 5 sec.	(Sun icon)	Flashing Light represents edge is not connected, the transmitter receiver is not programmed, or the DIP switches are incorrect
			●	Low battery or loss of communication
	(Sun icon)	(Speaker icon)	●	Receiver is in the wrong mode and waiting for a test signal
●	●	(Speaker icon)	●	Signal is being disrupted
---	---	4 x (Speaker icon)	---	Receiver memory is full
---	---	7 x (Speaker icon)	---	Change in operating mode of receiver with current programmed transmitters

16 Installation and Commissioning Checklists

Door Serial Number: _____

Installation checklist	Done
Guide spacing (see Installation Instructions for Inside to inside dimension X)	
Guides are plum with ¼ inch (6 mm) from top to bottom	
Drive barrel is level within ¼ inch (6 mm) from left side to right side	
Spring precharge: only if door is equipped with counter balance springs (see door information sticker on spring endplate, operator or control panel for spring precharge info)	
All fasteners are installed and tightened.	
Chains are aligned properly	

Name: _____

Date: _____

Signature: _____

Notes

Commissioning checklist - proceed in the order listed below <i>lower the door using the hand chain until it is 3/4 open before beginning these checks</i>	Pass	Fail
Emergency chain hoist raises and lowers the door		
Emergency chain hoist interlock switch prevents door from operating electrically		
Close push button(s) closes the door		
Door slows down prior to reaching full closed (VFD control panels only)		
Door seals against the floor on the close limit with the curtain tight in the opening		
Open push button(s) opens the door		
Door slows down prior to reaching full open (VFD control panels only)		
Door stops above the lintel on the open limit		
Stop push button(s) stops the door		
Verify the door is tracking straight as it opens and closes		
Reversing edge (optional) reverses the door to the full open position		
Photocell/Light curtain reverses the door to the full open position		
Auxilliary open devices open door (optional)		
Timer to close closes the door (optional)		
Traffic lights functioning (optional)		

Name: _____

Date: _____

Signature: _____

Notes

17 Maintenance Schedule

⚠ DANGER

Disconnect and lock-out power supply before servicing moving parts.

Copy this sheet to record maintenance history.

Annual maintenance schedule door serial number: _____ For the year _____ When performing scheduled maintenance, record date, and current cycle count perform check/test/tasks as indicated by an unshaded box. Write your initials in the box to indicate maintenance item has been completed.			Check limit chain tension	Check drive chain tension	Check inertia brake (optional)	Check spring chain tension	Lubricate all chains	Check counterbalance springs	Lubricate counterbalance springs
Date	Cycles	Schedule	Initials	Initials	Initials	Initials	Initials	Initials	Initials
		January							
		February							
		March							
		April							
		May							
		June							
		July							
		August							
		September							
		October							
		November							
		December							

NOTES

1. Proper limit chain tension is about 1/8 inch (3 mm) slack in each direction for total movement of about 1/4 inch (6 mm).
2. Proper drive chain tension total movement between 1/4 inch (6 mm) - 3/8 inch (9 mm).
3. Inertia brake, check that fasteners and set screws are tight and red plunger is pushed fully in. Unplug inertia brake assure the door becomes inoperable.
4. Spring chain tension is maintained by a spring loaded tensioner, inspect for wear and adjustment. Ensure the chain is taut.
5. Conditions will dictate lubrication requirements, chains must be kept clean and well lubricated with w 30 oil.
6. Visually check for broken spring wire.
7. Apply a spray lubricant to both the inner and outer spring to reduce noise and maintain intended spring life during initial installation and as maintenance schedule dictates. Recommended lubricant is *fluid film* made by eureka.

NOTE: There are no parts to replace on the door system during regular maintenance checks. As the maintenance schedule approaches 100,000 cycles (or optional 200,000 cycle springs) replacement springs may be ordered to facilitate a scheduled change.

18 Maintenance Log



Disconnect and lock-out power supply before servicing moving parts.

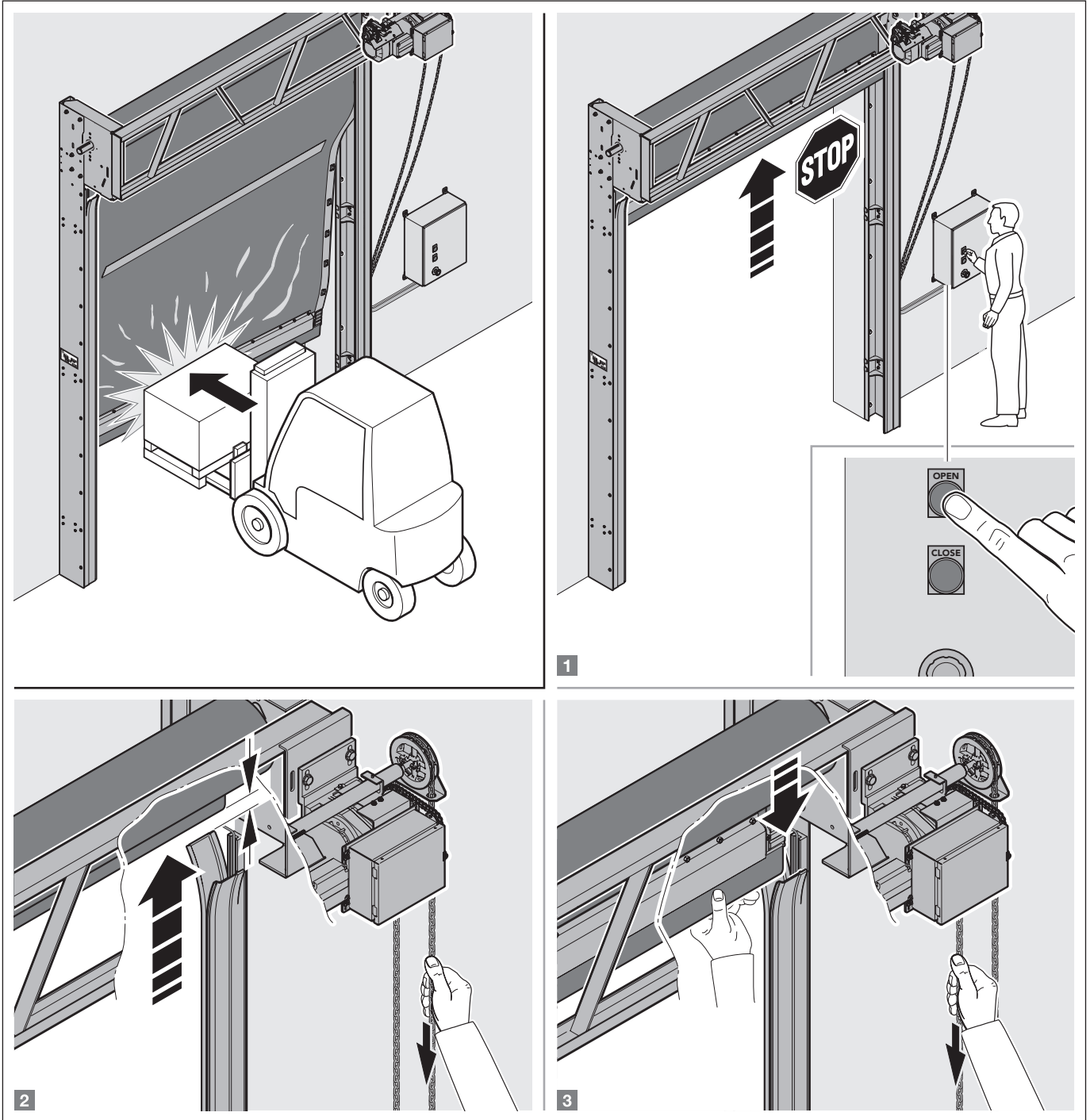
Copy this sheet to record maintenance history.

Record all maintenance activity for warranty purposes.

Door Serial Number _____ Installation Date _____ Door Location _____	Repairs	Improvements/ Replacements	Recommendations & changes or upgrades
Maintenance performed by (company): _____ Name: _____ Signature: _____ Date: _____ Door Cycles: _____			
Maintenance performed by (company): _____ Name: _____ Signature: _____ Date: _____ Door Cycles: _____			
Maintenance performed by (company): _____ Name: _____ Signature: _____ Date: _____ Door Cycles: _____			
Maintenance performed by (company): _____ Name: _____ Signature: _____ Date: _____ Cycles: _____			
Maintenance performed by (company): _____ Name: _____ Signature: _____ Date: _____ Door Cycles: _____			

19 Reset procedures after a vehicle impact

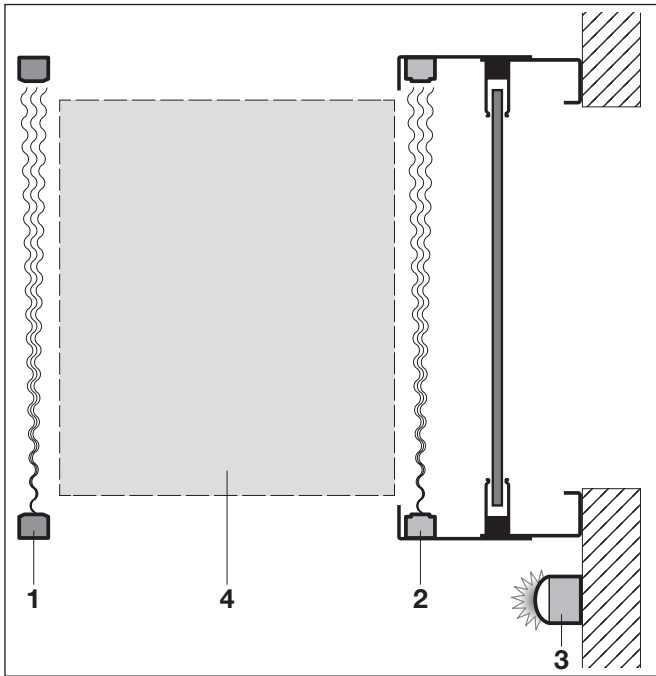
19.1 Reset procedure for standard door



20 Automated door set up recommendations

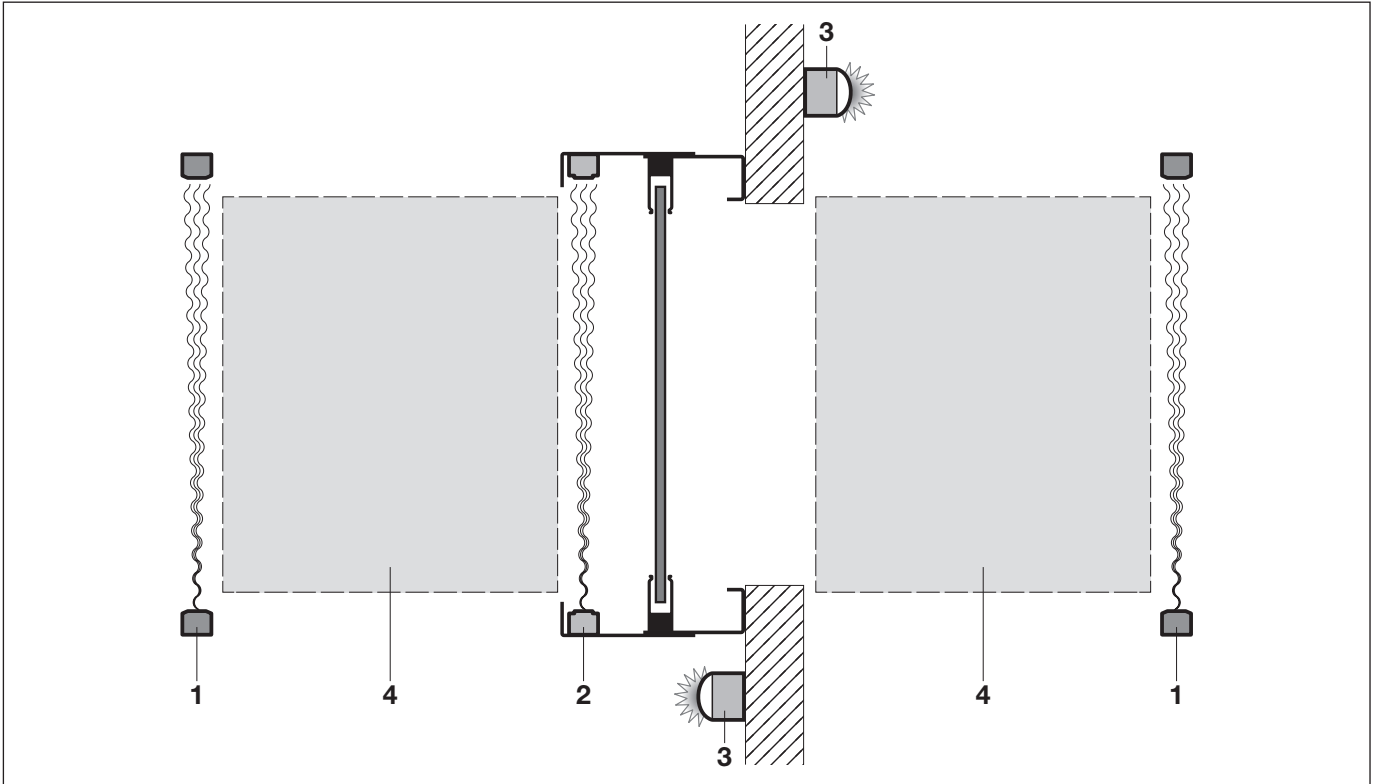
It is the responsibility of the company that sold the door to the end user to ensure that the door is set up in such a way as to provide adequate protection from accidental vehicular impact with the door. Below are Hörmann minimum recommendations when setting up a door using sensors to automatically open, close, and reverse the door when an obstruction is present.

20.1 Application set up for one-way traffic



- 1 Photoeye to reverse the door while closing and hold the door open. Locate photoeye far enough from the door that a vehicle travelling at the posted speed limit cannot impact the door while it is opening.
- 2 Light curtain in path of door protects the lower 92 inches (234 cm) minimum of the door opening.
- 3 Traffic light to indicate when the door is about to close and indicate when the door is closing.
- 4 Sensing area for open device. Device will open, hold open and reverse the door while closing. Typically, use a motion sensor, presence sensor or a ground loop.

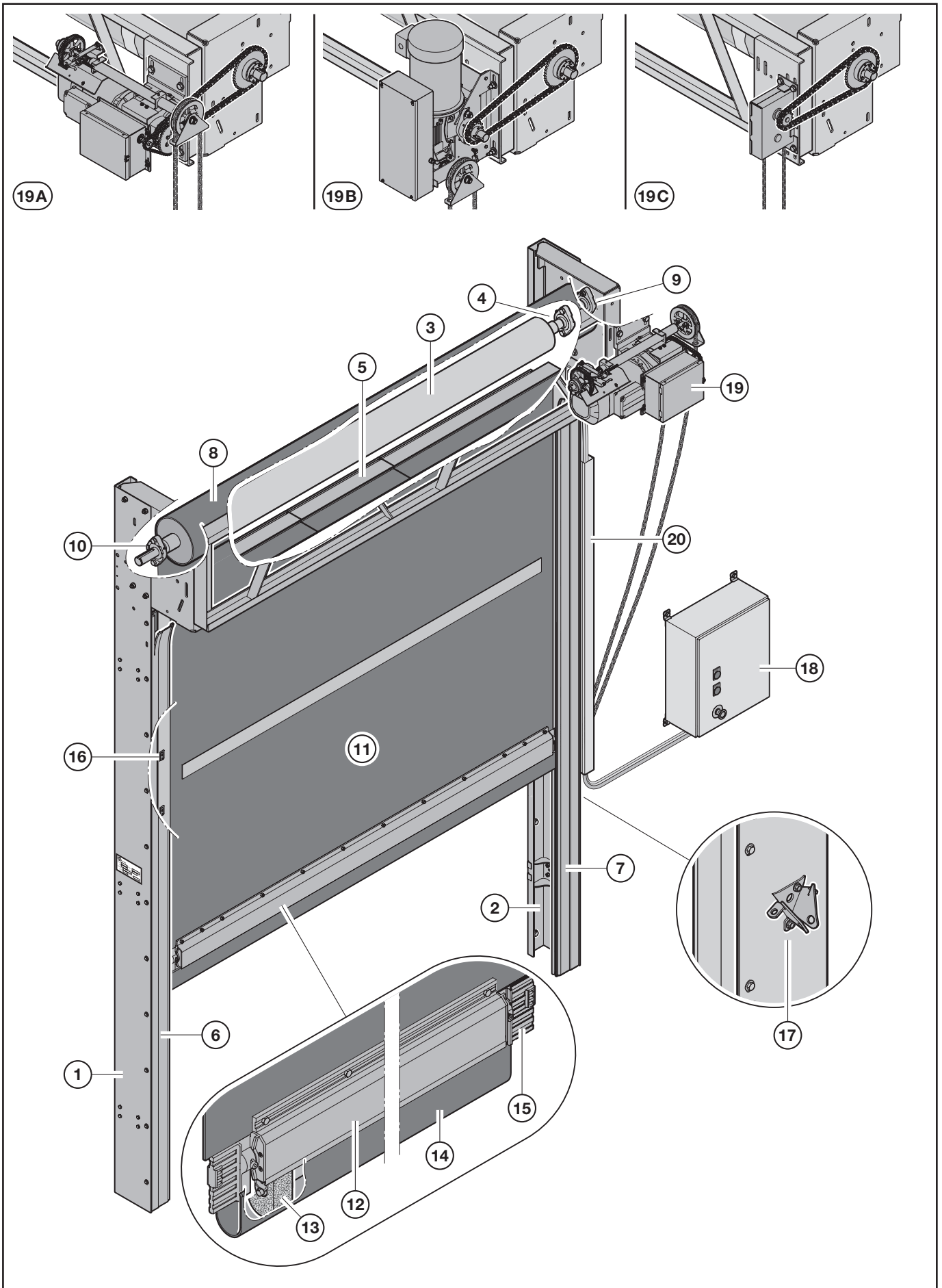
20.2 Application set up for two-way traffic



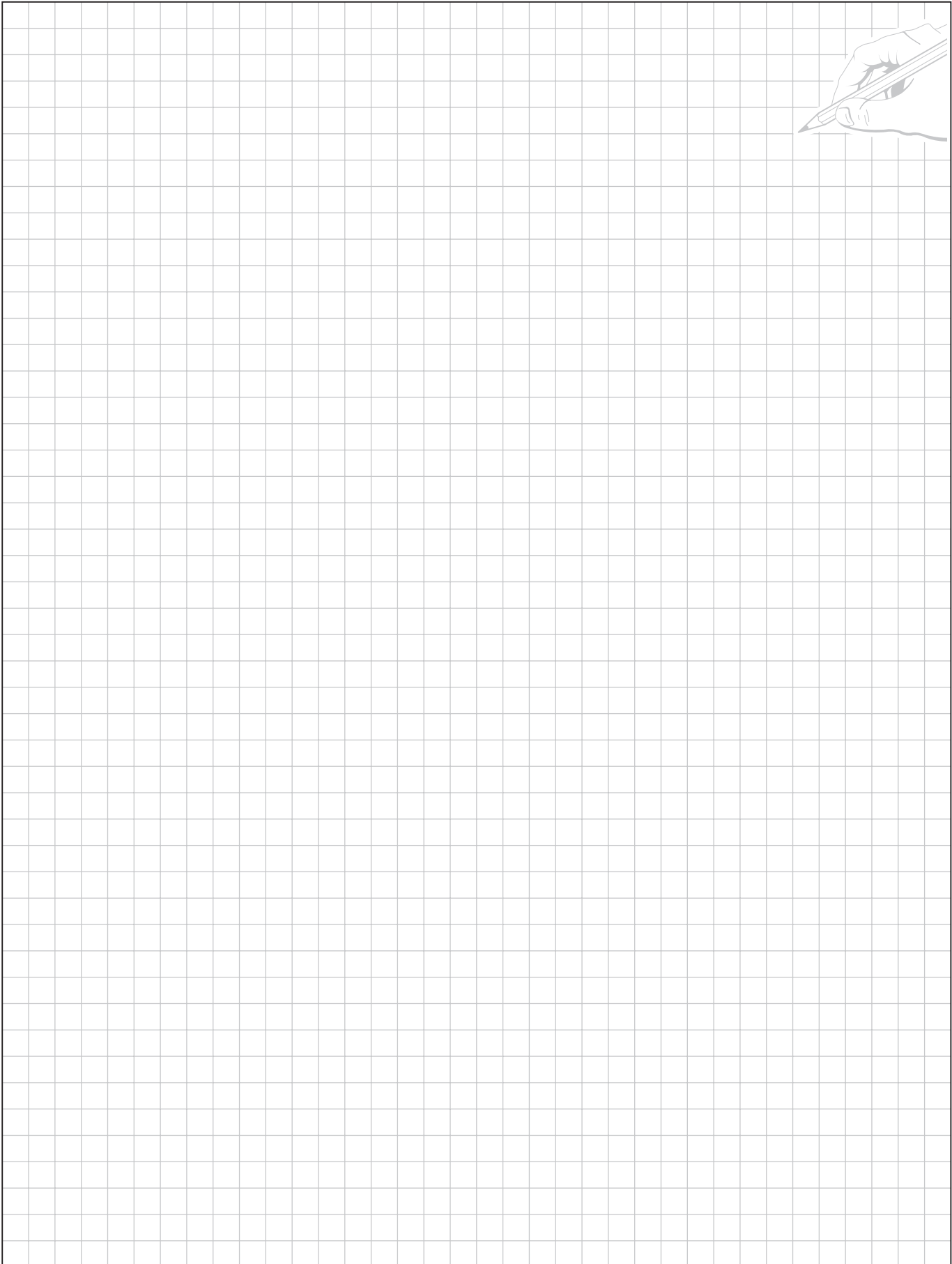
- 1 Photoeye to reverse the door while closing and hold the door open. Locate photoeye far enough from the door that a vehicle travelling at the posted speed limit cannot impact the door while it is opening.
- 2 Light curtain in path of door protects the lower 92 inches (234 cm) minimum of the door opening.
- 3 Traffic light to indicate when the door is about to close and indicate when the door is closing.
- 4 Sensing area for open device. Device will open, hold open and reverse the door while closing. Typically, use a motion sensor, presence sensor or a ground loop.

21 Replacement Parts

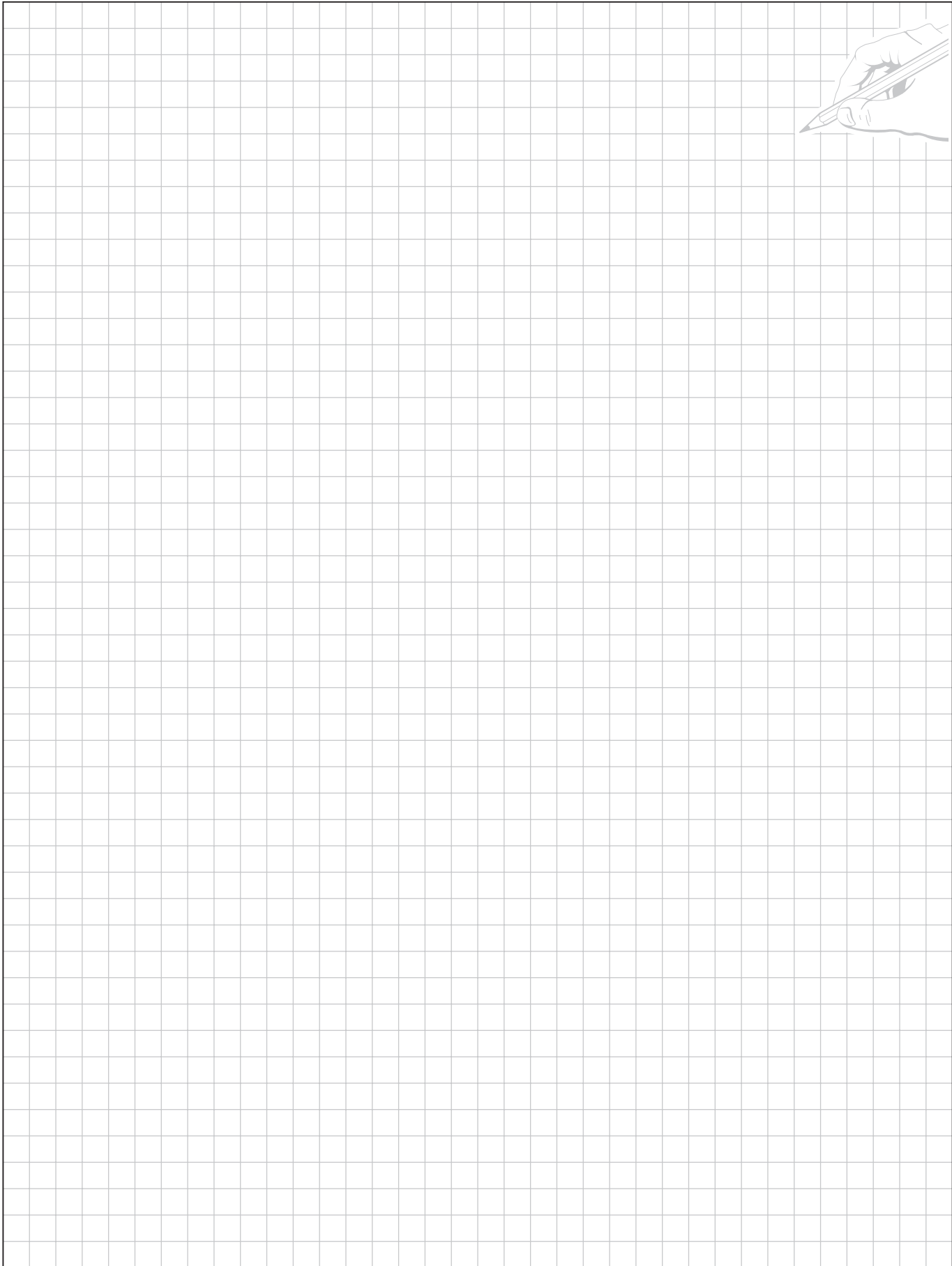
Item	Part No.	Description
1	205-0239	Mounting Angle Assembly, left side
2	205-0240	Mounting Angle Assembly, right side
3	204-0035	Idler Barrel
4	105-0060	Flange Bearing, 40 mm ID
5	209-0166	Lintel Seal Assembly, middle
	209-0171	Lintel Seal Assembly, left side
	209-0173	Lintel Seal Assembly, right side
6	205-0204	5" Aluminum Guide, left side
7	205-0205	5" Aluminum Guide, right side
8	200-0157	Drive Barrel
9	105-0047	Flange Bearing, 55 mm ID
	105-0060	Flange Bearing, 40 mm ID
10	105-0060	Flange Bearing, 40 mm ID
11	200-0157	Curtain Assembly
12	202-0252	Bottom Bar Assembly
13	102-0274	ASO Edge – NBR/PVC Insert
	102-0275	Airwave Edge – NBR/PVC Insert
	102-0276	No Edge – NBR/PVC Insert
14	202-0006	Rubber Loop
15	202-0165	Pivot Arm
16	201-0037	Curtain Lok
	106-0117	Philips Screw
17	107-0082	Chain Keeper
18	N/A	TNR Control Box
19	N/A	Pro FDGH
19A	N/A	Pro FDGH
19B	N/A	Pro RCGH
19C	108-0052	Manual Chain Hoist
20	108-0848	Cable Duct 1.2 m
	109-0849	Cable Duct 1.9 m
	109-0850	Cable Duct 2.5 m
	109-0851	Cable Duct 3.2 m



NOTES



NOTES



HÖRMANN NORTH AMERICA



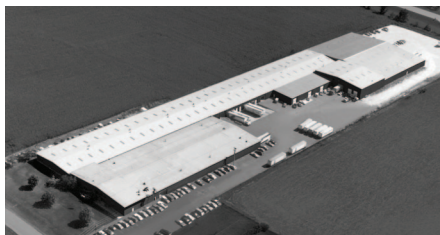
Sparta, TN - North American Headquarters / Sectional Doors

FIVE PRODUCTION PLANTS, ONE FAMILY

As one of the world's leading manufacturers of doors we're committed to providing the best quality, value, and selection. Whether residential, commercial or industrial, we have the door you're looking for. Each Hörmann product gives you the perfect array of benefits and options to satisfy your customers.



Puyallup, WA - Sectional Doors



Montgomery, IL - Sectional Doors



Barrie, ON (CAN) - High Performance Doors



Burgettstown, PA - High Performance Doors

USA

Toll Free: 800.365.3667
 Email: info2@hormann.us
 Website: hormann.us

Canada

Toll Free: 866.792.9968
 Email: info@hormann.ca
 Website: hormann.ca



AVAILABLE FROM:



HÖRMANN