



Loading Dock Technology

Dock Equipment and Accessories

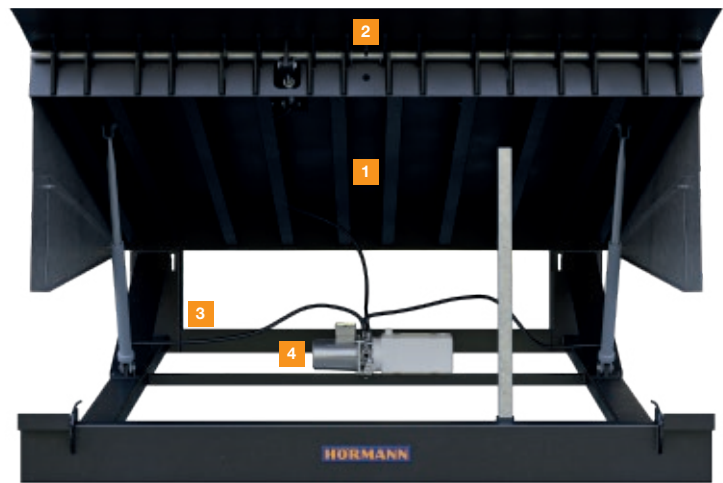


Fast and Safe Loading and Unloading

An efficient loading process requires the load to be moved into or out of the truck in one horizontal movement. Hörmann hydraulic dock levelers are designed with sturdy structural bases to bridge the gap between truck loading surfaces and the loading platform, making the loading process faster and preventing damage to the transported goods.

HYDRAULIC DOCK LEVELERS HINGE LIP - MODEL: HLS-2

- 1** STRONGLY CONSTRUCTED DOCK LEVELER PLATFORM
- 2** STURDY LIP
- 3** MADE TO WITHSTAND TOUGH ENVIRONMENTS
- 4** RELIABLE DOUBLE CYLINDER HYDRAULIC SYSTEM



Model	Nominal Width	Nominal Length	Static Load Capacity		Pit Height
			Standard	Optional	
HLS-2 68	6'	8'	35,000	50,000	20" Front 19½" Rear
HLS-2 78	7'	8'	35,000	50,000	20" Front 19½" Rear
HLS-2 610	6'	10'	35,000	50,000	20" Front 19½" Rear
HLS-2 710	7'	10'	35,000	50,000	20" Front 19½" Rear

Controls



AVAILABLE DOCK LEVEL CONTROLS

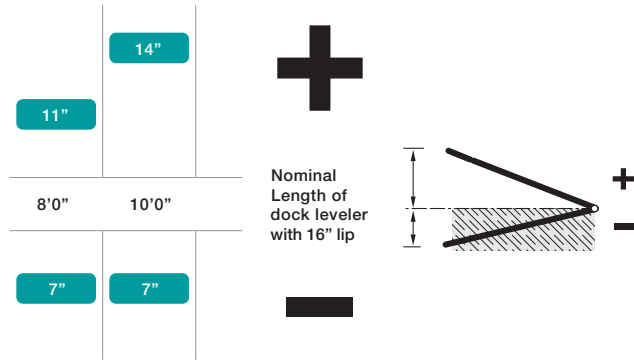
DLC-S11	DOCK LEVEL CONTROL BASIC 1PH 120V
DLC-S32	DOCK LEVEL CONTROL BASIC 3PH 208-230V
DLC-S33	DOCK LEVEL CONTROL BASIC 3PH 460V
DLC-A11	DOCK LEVEL CONTROL ADVANCED 1PH 120V
DLC-A32	DOCK LEVEL CONTROL ADVANCED 3PH 208-230V
DLC-A33	DOCK LEVEL CONTROL ADVANCED 3PH 460V

Hydraulic Dock Levelers with Hinged Lip

HLS 2 with hinged lip

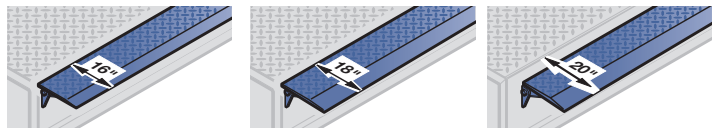
Note:

The values indicate the difference in height, which, taking into account the maximum gradient / inclination according to ANSI-MH-30-1-2022 can be bridged by a maximum of 12.5%. The technically possible range is considerably larger depending on the dock leveler length. Note that these are limit values. Preferably select the next higher length size. Plan the dock height so that the height difference to the truck loading surface is as small as possible.



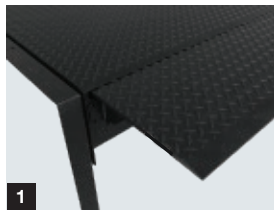
LIP LENGTHS

Select a lip length so the contact surface is at least 4 to 6 inches in accordance with ANSI-MH-30-1-20222 (maximum 6 inches is possible).



TYPE R, STRAIGHT 1

Standard for 6 ft wide platforms.



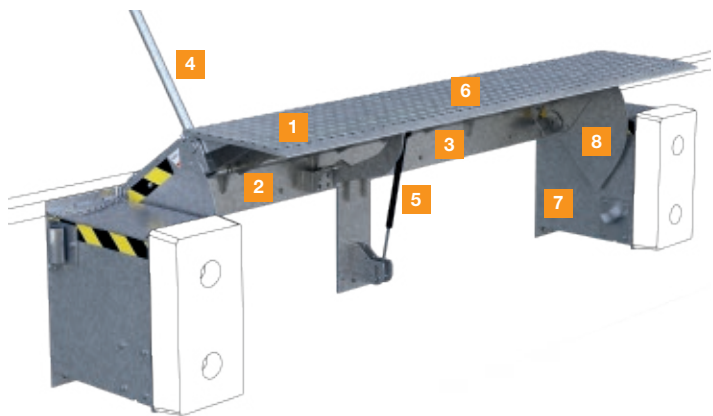
TYPE S, TAPERED LIP 2

Standard for 7 ft wide platform



MECHANICAL EDGE OF DOCK LEVELER MODEL MRS-V

- 1 DOCK LEVELER PLATFORM
- 2 ROBUST HINGED LIP
- 3 MADE TO WITHSTAND TOUGH ENVIRONMENTS
- 4 SIMPLE OPERATION
- 5 GAS SPRING SUPPORT
- 6 CORROSION PROTECTION
- 7 STEEL BUMPERS
- 8 TOE GUARDS

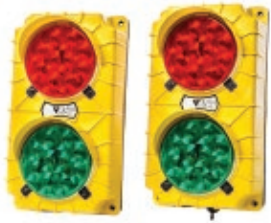


SHELTERS & SEALS

Protect goods and personnel against adverse weather effects, save energy costs, and increase efficiency with dock shelters and seals. Various models available to best suit your needs.



Accessories



**“STOP & GO”
COMMUNICATION
SYSTEM**



**LED LOADING
DOCK LIGHTS**



**LAMINATED DOCK
BUMPERS**



MOLDED BUMPERS

VEHICLE RESTRAINTS



WHEEL CHOCKS



PIT KITS



HÖRMANN NORTH AMERICA SIX PRODUCTION PLANTS, ONE FAMILY

As one of the world's leading manufacturers of door systems, we're committed to providing the best quality, value, and selection. Whether residential, commercial or industrial, we have the solutions you're looking for. Each Hörmann product gives you the perfect array of benefits and options to satisfy your customers.



USA
Toll Free: 800.365.3667
Email: info@hormann.us
Website: hormann.us

Canada
Toll Free: 866.792.9968
Email: info@hormann.ca
Website: hormann.ca

Mexico
Toll Free: 52 (81) 8308 7481
Email: info@hormann.com.mx
Website: hormann.mx



TO DOWNLOAD A FULL
LENGTH LOADING
TECHNOLOGY PRODUCT
GUIDE, SCAN HERE



Follow us on social media

